



Chipsmall Limited consists of a professional team with an average of over 10 year of expertise in the distribution of electronic components. Based in Hongkong, we have already established firm and mutual-benefit business relationships with customers from,Europe,America and south Asia,supplying obsolete and hard-to-find components to meet their specific needs.

With the principle of “Quality Parts,Customers Priority,Honest Operation,and Considerate Service”,our business mainly focus on the distribution of electronic components. Line cards we deal with include Microchip,ALPS,ROHM,Xilinx,Pulse,ON,Everlight and Freescale. Main products comprise IC,Modules,Potentiometer,IC Socket,Relay,Connector.Our parts cover such applications as commercial,industrial, and automotives areas.

We are looking forward to setting up business relationship with you and hope to provide you with the best service and solution. Let us make a better world for our industry!



## Contact us

Tel: +86-755-8981 8866 Fax: +86-755-8427 6832

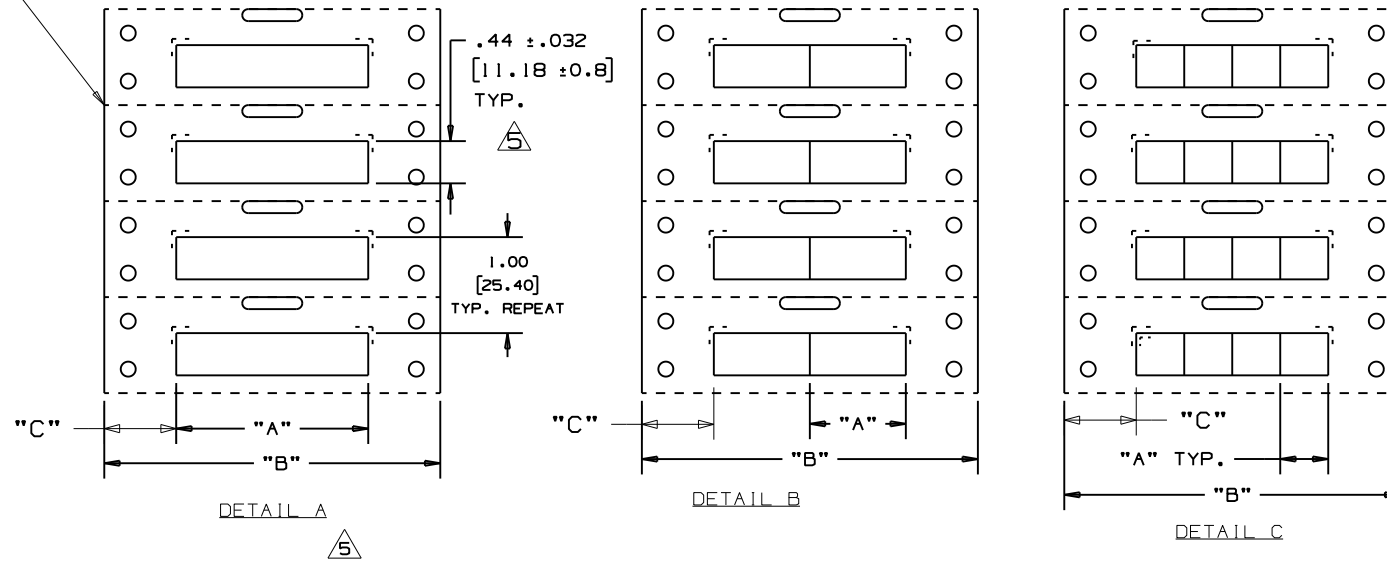
Email & Skype: info@chipsmall.com Web: www.chipsmall.com

Address: A1208, Overseas Decoration Building, #122 Zhenhua RD., Futian, Shenzhen, China

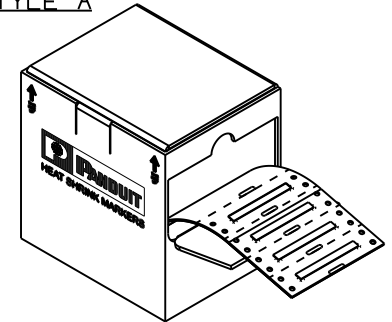


THIS COPY IS PROVIDED ON A RESTRICTED BASIS AND IS NOT TO BE USED IN ANY WAY DETRIMENTAL TO THE INTERESTS OF PANDUIT CORP.

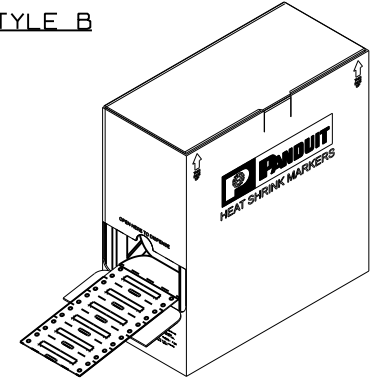
PERFORATION



STYLE A



STYLE B



PART NUMBER	SEE DETAIL	"A" +/- .062	"B"	"C"	MARKER ACROSS	TUBING COLOR	SEE STYLE	
H200X044F1T	A	2.00 [50.80]	3.50 [88.90]	.75 [19.1]	1	WHITE	A	
H100X044F1T	B	1.00 [25.40]		.75 [19.1]	2	WHITE		
H050X044F1T	C	0.50 [12.70]		.75 [19.1]	4	WHITE		
H150X044F1T	A	1.50 [38.10]		1.00 [25.4]	1	WHITE		
H075X044F1T	B	0.75 [19.05]		1.00 [25.4]	2	WHITE	A	
H200X044F2T	A	2.00 [50.80]		.75 [19.1]	1	YELLOW		
H100X044F2T	B	1.00 [25.40]		.75 [19.1]	2	YELLOW		
H050X044F2T	C	0.50 [12.70]		.75 [19.1]	4	YELLOW		
H200X044F1T-B	A	2.00 [50.80]		.75 [19.1]	1	WHITE		B
H100X044F1T-B	B	1.00 [25.40]		.75 [19.1]	2	WHITE		
H050X044F1T-B	C	0.50 [12.70]	.75 [19.1]	4	WHITE			
H150X044F1T-B	A	1.50 [38.10]	1.00 [25.4]	1	WHITE			
H075X044F1T-B	B	0.75 [19.05]	1.00 [25.4]	2	WHITE			

NOTES:  
1. DIMENSIONS IN ( ) ARE IN MILLIMETERS.

CAD FILENAME/LAYERS

100923NW\_DC\_C10221/01F

5	5/21/09	RVU		+/- .12, +/- .062, +/- .020 WAS +/- .03, +/- .032, +/- .010. HT: .44 +/- .032 WAS .440. MAT'L, HSK TUBING GMHS31, 3.5 WIDE LINER WAS GMHS. ADD "A" +/- .062. ADD STYLE B VIEW FOR BULK BOX. VIEW UPDATE.	5593	R			
4				VOID					
3	12/21/07	RVU		REVISED TUBING MATERIAL COLUMN WITH RAYCHEM AND SUMITOMO. ADDED H150X044FIT-B AND H075X044FIT-B.	5244	R			
2	12/4/07	RVU		(.XX) +/- .032 WAS (.XX) +/- .015.	5219	R			
1	1-31-07	RVU		REVISED VIEW OF BOX, & TOL. ADDED NOTES 1 & 2.	4859	R			
0	9-29-04	RVU		DRAWING RELEASE	0000	R			
REV	DATE	BY	CHK	DESCRIPTION	ECN	R	CUST	SUP	

PANDUIT CORP. TINLEY PARK, ILLINOIS

CUSTOMER DRAWING H\*\*\*X044F\*\* OPTIMUM COMPUTER PRINTABLE HEAT SHRINK MARKERS

UNLESS OTHERWISE SPECIFIED, DIMENSIONAL TOLERANCES ARE:  
 (.X) ± .12 (.XXX) ± .020  
 (.XX) ± .062 ANGLES ±

UNLESS OTHERWISE SPECIFIED, ALL DIMENSIONS ARE GIVEN IN INCHES, THIRD ANGLE PROJECTION.

SCALE: NTS

DRAWING NO. C10221

DWG SIZE: A

DRAWN BY: RVU  
 DATE: 9-29-04  
 MAT'L: HEATSHRINK TUBING GMHS31, 3.5 WIDE LINER  
 CHK'D: