



Chipsmall Limited consists of a professional team with an average of over 10 year of expertise in the distribution of electronic components. Based in Hongkong, we have already established firm and mutual-benefit business relationships with customers from,Europe,America and south Asia,supplying obsolete and hard-to-find components to meet their specific needs.

With the principle of “Quality Parts,Customers Priority,Honest Operation,and Considerate Service”,our business mainly focus on the distribution of electronic components. Line cards we deal with include Microchip,ALPS,ROHM,Xilinx,Pulse,ON,Everlight and Freescale. Main products comprise IC,Modules,Potentiometer,IC Socket,Relay,Connector.Our parts cover such applications as commercial,industrial, and automotives areas.

We are looking forward to setting up business relationship with you and hope to provide you with the best service and solution. Let us make a better world for our industry!



Contact us

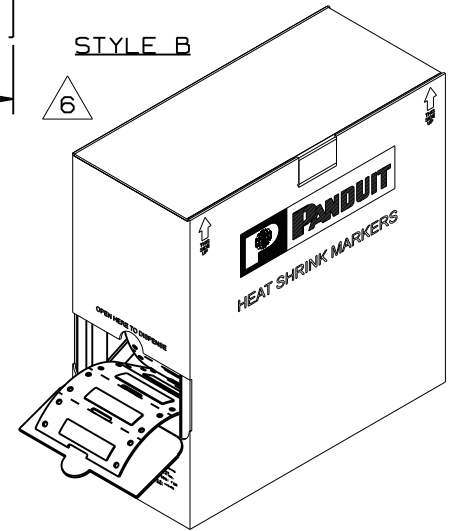
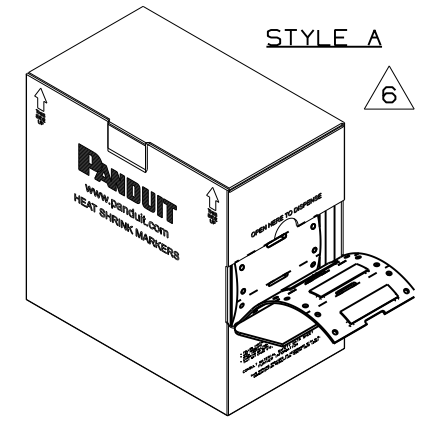
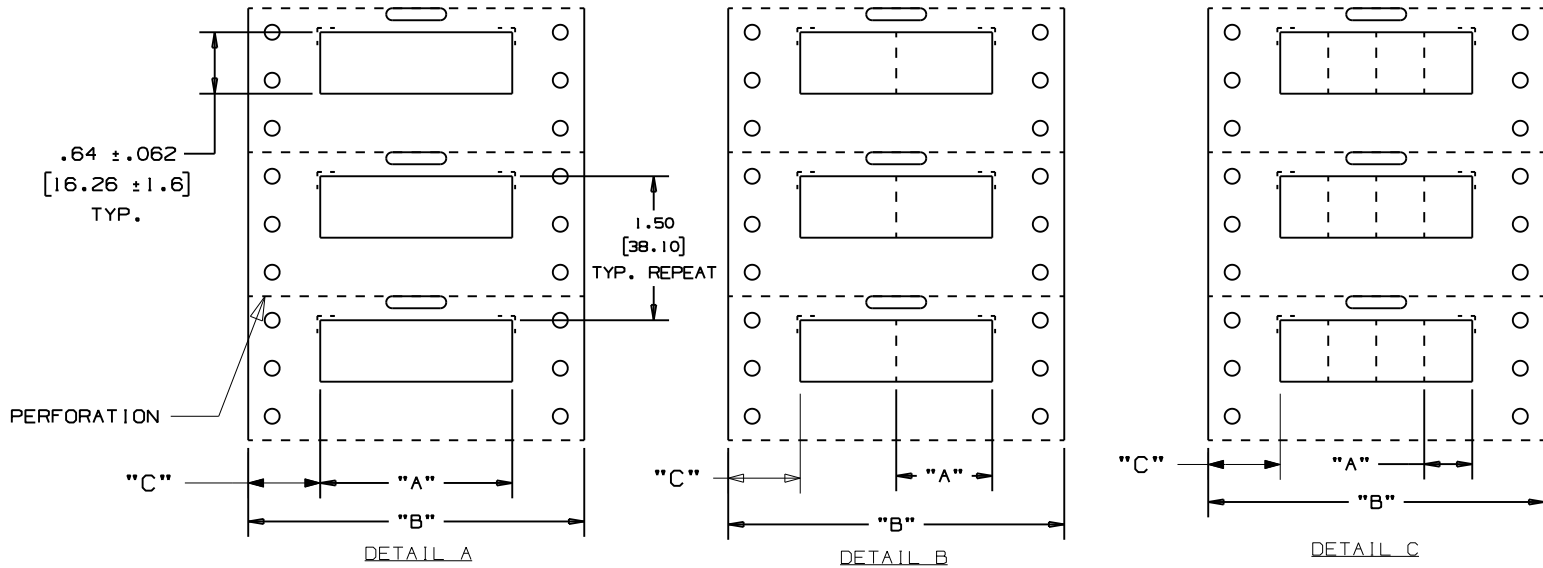
Tel: +86-755-8981 8866 Fax: +86-755-8427 6832

Email & Skype: info@chipsmall.com Web: www.chipsmall.com

Address: A1208, Overseas Decoration Building, #122 Zhenhua RD., Futian, Shenzhen, China



THIS COPY IS PROVIDED ON A RESTRICTED BASIS AND IS NOT TO BE USED IN ANY WAY DETRIMENTAL TO THE INTERESTS OF PANDUIT CORP.



PART NUMBER	SEE DETAIL	"A" +/- .062	"B"	"C"	MARKER ACROSS	TUBING COLOR	SEE STYLE
H200X064FIT	A	2.00 [50.80]	3.50 [88.90]	.75 [19.1]	1	WHITE	A
H100X064FIT	B	1.00 [25.40]		.75 [19.1]	2	WHITE	
H050X064FIT	C	0.50 [12.70]		.75 [19.1]	4	WHITE	
H200X064FIT-B	A	2.00 [50.80]		.75 [19.1]	1	WHITE	B
H100X064FIT-B	B	1.00 [25.40]		.75 [19.1]	2	WHITE	
H050X064FIT-B	C	0.50 [12.70]		.75 [19.1]	4	WHITE	

NOTES:
1. DIMENSION IN [] ARE IN MILLIMETERS.

CAD FILENAME/LAYERS 100923NU-DC-C10219/07G

PANDUIT CORP. TINLEY PARK, ILLINOIS

CUSTOMER DRAWING H***x064F** OPTIMUM COMPUTER PRINTABLE HEAT SHRINK MARKERS

UNLESS OTHERWISE SPECIFIED, DIMENSIONAL TOLERANCES ARE:
(.X) ± .12 (.XXX) ± .020
(.XX) ± .062 ANGLES ±

UNLESS OTHERWISE SPECIFIED, ALL DIMENSIONS ARE GIVEN IN INCHES, THIRD ANGLE PROJECTION.

REV	DATE	BY	CHK	DESCRIPTION	ECN	R	CUST	SUP
6	12/2/10	RVU		Change boxes design.	6230	R		
5	5/21/09	RVU		+/- .12, +/- .062, +/- .020 WAS +/- .03, +/- .032, +/- .010. HT: .64 +/- .062 WAS .640. MAT'L, HSK TUBING GMH531, 3.5 WIDE LINER WAS GMHS. ADD "A" +/- .062. ADD STYLE B VIEW FOR BULK BOX. VIEW UPDATE.	5593	R		

DRAWN BY RVU	MAT'L: HEATSHRINK TUBING GMH531, 3.5 WIDE LINER	SCALE NTS
DATE 9-29-04		DRAWING NO. C10219
CHK'D		DWG A SIZE