



Chipsmall Limited consists of a professional team with an average of over 10 year of expertise in the distribution of electronic components. Based in Hongkong, we have already established firm and mutual-benefit business relationships with customers from,Europe,America and south Asia,supplying obsolete and hard-to-find components to meet their specific needs.

With the principle of “Quality Parts,Customers Priority,Honest Operation,and Considerate Service”,our business mainly focus on the distribution of electronic components. Line cards we deal with include Microchip,ALPS,ROHM,Xilinx,Pulse,ON,Everlight and Freescale. Main products comprise IC,Modules,Potentiometer,IC Socket,Relay,Connector.Our parts cover such applications as commercial,industrial, and automotives areas.

We are looking forward to setting up business relationship with you and hope to provide you with the best service and solution. Let us make a better world for our industry!



Contact us

Tel: +86-755-8981 8866 Fax: +86-755-8427 6832

Email & Skype: info@chipsmall.com Web: www.chipsmall.com

Address: A1208, Overseas Decoration Building, #122 Zhenhua RD., Futian, Shenzhen, China



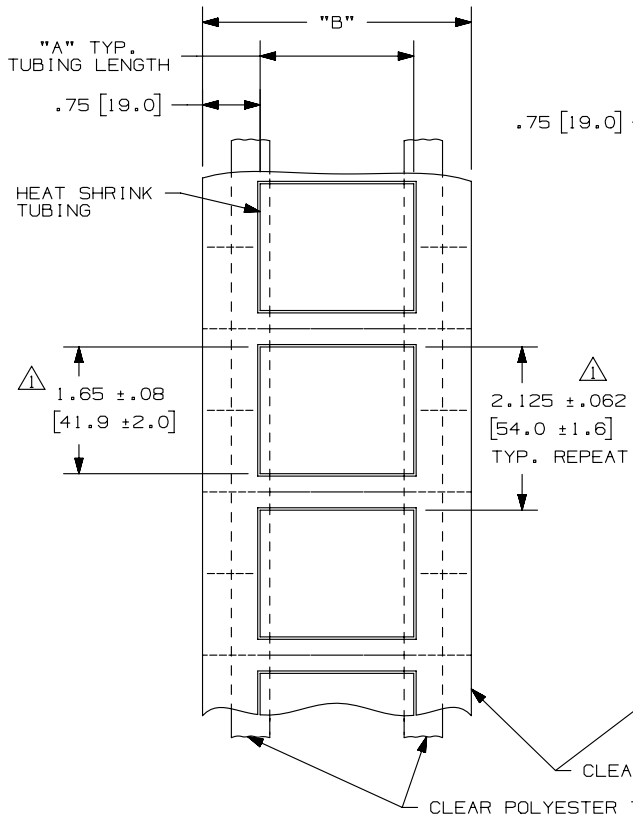
2

1

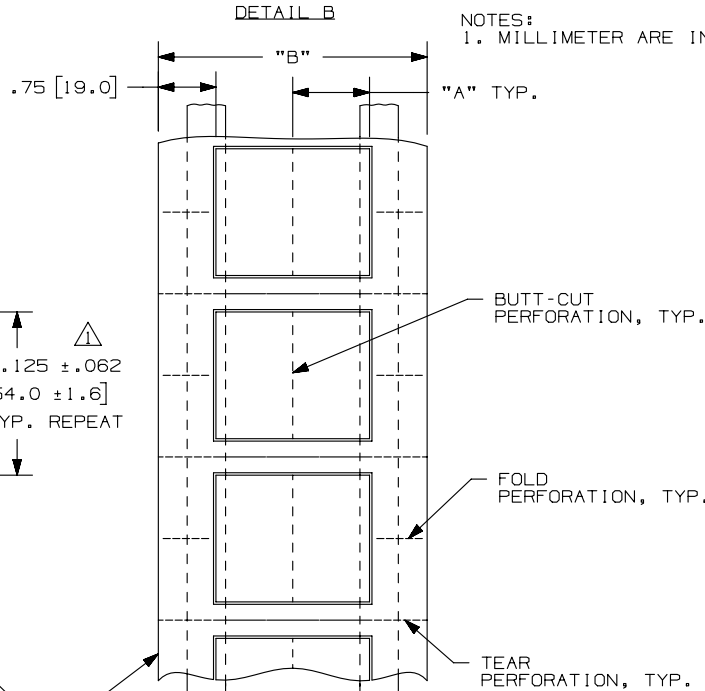
THIS COPY IS PROVIDED ON A RESTRICTED BASIS AND IS NOT TO BE USED IN ANY WAY DETRIMENTAL TO THE INTERESTS OF PANDUIT CORP.

PART NUMBER	SEE DETAIL	MATERIAL	"A" +/- .062	"B" +/- .062	INSIDE NOMINAL DIA.	MARKER ACROSS	TUBING COLOR	PKG. QTY.	SEE STYLE
H100X165H1T-2	B	GMUHS	1.00 [25.4]	3.50 [88.9]	1 in. [25.4 mm]	2	WHITE	1000	A
H200X165H1T-2	A	GMUHS	2.00 [50.8]	3.50 [88.9]	1 in. [25.4 mm]	1	WHITE	500	A
H100X165H2T-2	B	GMUHS	1.00 [25.4]	3.50 [88.9]	1 in. [25.4 mm]	2	YELLOW	1000	A
H200X165H2T-2	A	GMUHS	2.00 [50.8]	3.50 [88.9]	1 in. [25.4 mm]	1	YELLOW	500	A

DETAIL A

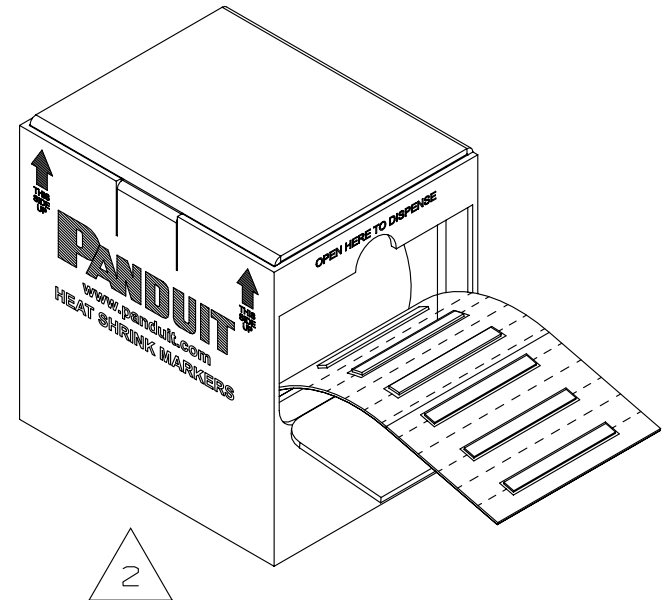


DETAIL B



NOTES:
1. MILLIMETER ARE IN ().

STYLE A



2

REV	DATE	BY	CHK	APR	DESCRIPTION	ECN
2	1/22/14	RVU	SEWH	MSAD	UPDATE THE CURRENT PANDUIT LOGO.	GAECN01409
1	5/21/09	RVU		SCWE	"B", +/- .062 WAS +/- .030. 2.125 +/- .050.	5700
0	9/09/08	RVU		SCWE	DRAWING RELEASE.	5540

TITLE	
H***X165H*T-2 TWO-SIDED HEAT SHRINK LABEL CUSTOMER DRAWING	
ITEM REVISION NAME	100472PK/05
DATASET FILE NAME	100472PK_DC_C10641/05C
UNLESS OTHERWISE SPECIFIED, DIMENSIONAL TOLERANCES ARE: IN [mm]	
.x ± .12 [3.05]	.xxx ± .020 [5.08]
.xx ± .062 [1.57]	ANGLES ±
THIRD ANGLE PROJECTION	
MATERIAL: HEAT SHRINK TUBING, GMUHS31	
DRAWING NUMBER: C10641	
DRAWN BY	DATE
RVU	9/09/08
CHK	SCALE
SCWE	NTS
SHT 1 OF 1	
SIZE A	

2

1

D10100DA/16