



Chipsmall Limited consists of a professional team with an average of over 10 year of expertise in the distribution of electronic components. Based in Hongkong, we have already established firm and mutual-benefit business relationships with customers from,Europe,America and south Asia,supplying obsolete and hard-to-find components to meet their specific needs.

With the principle of “Quality Parts,Customers Priority,Honest Operation,and Considerate Service”,our business mainly focus on the distribution of electronic components. Line cards we deal with include Microchip,ALPS,ROHM,Xilinx,Pulse,ON,Everlight and Freescale. Main products comprise IC,Modules,Potentiometer,IC Socket,Relay,Connector.Our parts cover such applications as commercial,industrial, and automotives areas.

We are looking forward to setting up business relationship with you and hope to provide you with the best service and solution. Let us make a better world for our industry!



Contact us

Tel: +86-755-8981 8866 Fax: +86-755-8427 6832

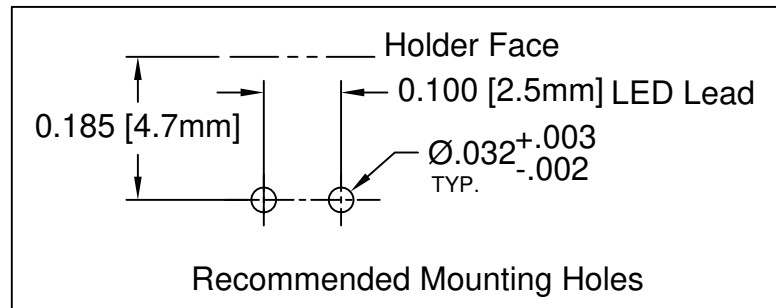
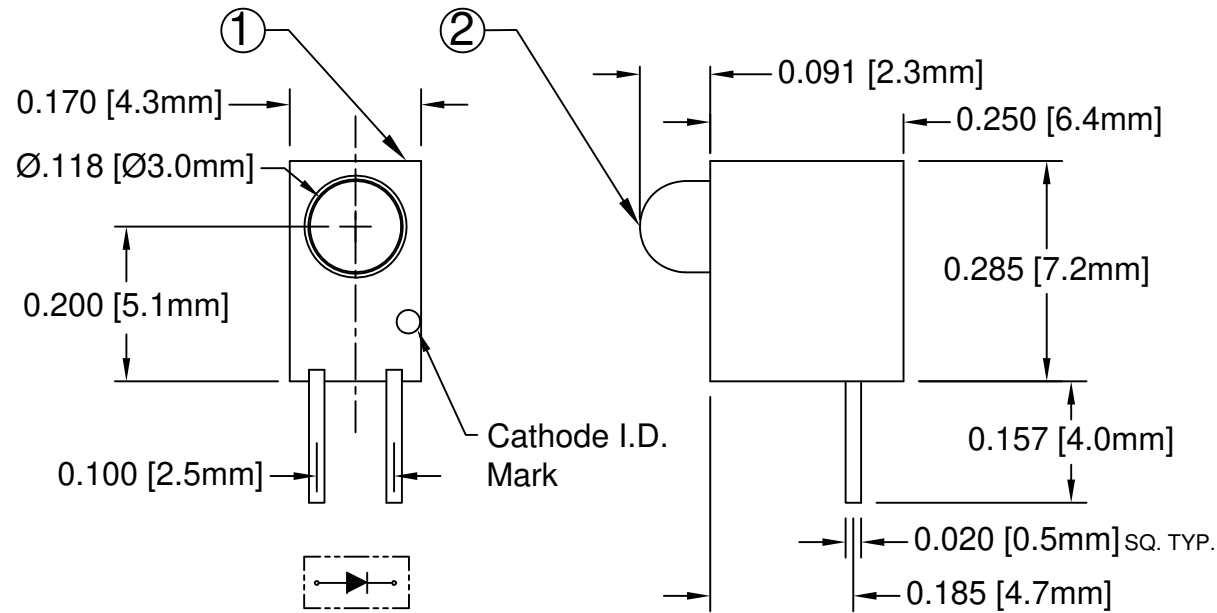
Email & Skype: info@chipsmall.com Web: www.chipsmall.com

Address: A1208, Overseas Decoration Building, #122 Zhenhua RD., Futian, Shenzhen, China



ITEM	Q'TY	PART NUMBER	PART DESCRIPTION
1	1	H-101C	T-1 (3mm) LED Holder, 90° Mount
2	1	3XX-S	T-1 (3mm) N-Flange Shouldered LED, See Page 2 & 3

REV.	DESCRIPTION	DATE	APPROVED
C	Holder Update, Added LEDs	10/04/07	M. C.
D	LED Package Change to 3XX-S LEDs	12/14/07	M. C.
E	Updated LED Specs	10/08/08	M. C.
F	Added Water Clear LED Specs	02/05/09	T. Y.
G	Removed H101CUWC0.6K & H101CUBWC0.6K	04/24/12	T. Y.
H	Engineering Update w/o Changes	06/20/16	J. C.





ABSOLUTE MAXIMUM RATINGS (Ta=25° C)

REVERSE VOLTAGE	_____	5V
REVERSE CURRENT	_____	100uA
OPERATING TEMPERATURE RANGE	_____	-25° C - 85° C
STORAGE TEMPERATURE	_____	-30° C - 100° C
LEAD SOLDERING TEMPERATURE(1/16" FROM BODY)	_____	260° C FOR 5 SECONDS

STANDARD TOLERANCE (UNLESS OTHERWISE SPECIFIED)		BIVAR®	
DECIMALS	ANGULAR	4 THOMAS, IRVINE, CA. 92618 TEL: (949) 951-8808 FAX: (949) 951-3974	
.X ± .1	X° ± 1°	TITLE: T-1 (3MM) 90° SINGLE-LEVEL LED ASSEMBLY PART NO: H101CXX REVISION: H	
.XX ± .02			
.XXX ± .010			
DESIGNED: T. Yin	DATE: 03/05/04	CAGE CODE : 32559	SHEET # 1 OF 3
CHECKED: D. Green	DATE: 03/05/04	CAD GENERATED DOCUMENT. DO NOT MEASURE DRAWING.	

REV.	DESCRIPTION	DATE	APPROVED
	SEE SHEET #1		


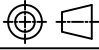
LED Assy. No.	Peak Wave Length λ_p (nm)	Emitted Color	Lens Appearance	Electro-Optical Data				Viewing Angle $2\theta \frac{1}{2}$ (Deg)	LED P/N
				If (mA)	Vf (V)		Iv (mcd)		
				TYP	TYP	MAX	TYP		
STANDARD				Data @ 20m A					
H101CBWD	430	BLUE	DIFFUSED	20	4.0	4.5	10	40	3BWD-S
H101CBWC	430	BLUE	WATER CLEAR	20	4.0	4.5	25	30	3BWC-S
H101CGD	568	GREEN	DIFFUSED	20	2.1	2.8	25	40	3GD-S
H101CGC	568	GREEN	WATER CLEAR	20	2.1	2.8	40	30	3GC-S
H101CYD	590	YELLOW	DIFFUSED	20	2.0	2.8	20	40	3YD-S
H101CYC	590	YELLOW	WATER CLEAR	20	2.0	2.8	40	30	3YC-S
H101CHD	625	HE RED	DIFFUSED	20	2.0	2.8	30	40	3HD-S
H101CHC	625	HE RED	WATER CLEAR	20	2.0	2.8	50	30	3HC-S
H101CRD	700	RED	DIFFUSED	20	2.1	2.8	2	40	3RD-S
H101CRC	700	RED	WATER CLEAR	20	2.1	2.8	3	30	3RC-S
LOW CURRENT				Data @ 2m A					
H101CGDL	568	GREEN	DIFFUSED	2	2.1	2.6	2	40	3GDL-S
H101CYDL	590	YELLOW	DIFFUSED	2	2.0	2.6	2	40	3YDL-S
H101CHDL	625	HE RED	DIFFUSED	2	2.0	2.6	3	40	3HDL-S
H101CRDL	700	RED	DIFFUSED	2	2.1	2.6	1	40	3RDL-S
5 VOLT				Data @ 5V					
H101CGD5V	568	GREEN	DIFFUSED	8	-	5.0	25	40	3GD5V-S
H101CYD5V	590	YELLOW	DIFFUSED	8	-	5.0	20	40	3YD5V-S
H101CHD5V	625	HE RED	DIFFUSED	8	-	5.0	30	40	3HD5V-S

STANDARD TOLERANCE (UNLESS OTHERWISE SPECIFIED) $\pm 10\%$ ALL VALUES ANGULAR		 4 THOMAS, IRVINE, CA. 92618 TEL: (949) 951-8808 FAX: (949) 951-3974		
				TITLE: T-1 (3MM) 90° SINGLE-LEVEL LED ASSEMBLY
DESIGNED: T. Yin	DATE: 03/05/04	PART NO: H101CXX		REVISION: H
CHECKED: D. Green	DATE: 03/05/04	CAGE CODE : 32559		SHEET # 2 OF 3
CAD GENERATED DOCUMENT. DO NOT MEASURE DRAWING.				

REV.	DESCRIPTION	DATE	APPROVED
	SEE SHEET #1		

LED Assy. No.	Peak Wave Length λ_p (nm)	Emitted Color	Lens Appearance	Electro-Optical Data @ 20m A				Viewing Angle $2\theta_{1/2}$ (Deg)	LED P/N
				If (mA)	Vf (V)		Iv (mcd)		
				TYP	TYP	MAX	TYP		
H101CBWD0.245	470	BLUE	DIFFUSED	20	4.0	4.5	200	40	3BWD0.245-S
H101CUTC	500	TURQUOISE	WATER CLEAR	20	3.5	4.0	800	30	3UTC-S
H101CEGC2.030	525	GREEN	WATER CLEAR	20	4.0	4.5	2500	30	3EGC2.030-S
H101CUGC	570	GREEN	WATER CLEAR	20	2.1	2.4	200	30	3UGC-S
H101CSUGC	570	GREEN	WATER CLEAR	20	2.1	2.4	300	30	3SUGC-S
H101CUYC	590	YELLOW	WATER CLEAR	20	2.0	2.4	300	30	3UYC-S
H101CSUYC	590	YELLOW	WATER CLEAR	20	2.0	2.4	400	30	3SUYC-S
H101CUUYC	590	YELLOW	WATER CLEAR	20	2.0	2.4	600	30	3UUYC-S
H101CUOC	625	ORANGE	WATER CLEAR	20	1.8	2.4	300	30	3UOC-S
H101CSUOC	625	ORANGE	WATER CLEAR	20	1.8	2.4	400	30	3SUOC-S
H101CURC	645	RED	WATER CLEAR	20	1.7	2.4	200	30	3URC-S
H101CSURC	640	RED	WATER CLEAR	20	1.8	2.4	200	30	3SURC-S
H101CSRD	645	RED	DIFFUSED	20	1.7	2.4	40	40	3SRD-S

LED Assy. No.	Chromaticity Coordinates	Emitted Color	Lens Appearance	Electro-Optical Data @ 20m A				Viewing Angle $2\theta_{1/2}$ (Deg)	LED P/N
				If (mA)	Vf (V)		Iv (mcd)		
				TYP	TYP	MAX	TYP		
H101CUWC1.530	X=.3, Y=.31	WHITE	WATER CLEAR	20	3.2	3.8	2000	30	3UWC1.530-S

STANDARD TOLERANCE (UNLESS OTHERWISE SPECIFIED) $\pm 10\%$ ALL VALUES ANGULAR		 BIVAR [®] 4 THOMAS, IRVINE, CA. 92618 TEL: (949) 951-8808 FAX: (949) 951-3974	
			
DESIGNED: T. Yin	DATE: 03/05/04	TITLE: T-1 (3MM) 90° SINGLE-LEVEL LED ASSEMBLY	
CHECKED: D. Green	DATE: 03/05/04	PART NO: H101CXX	REVISION: H
		CAGE CODE : 32559	SHEET # 3 OF 3
CAD GENERATED DOCUMENT. DO NOT MEASURE DRAWING.			