



Chipsmall Limited consists of a professional team with an average of over 10 year of expertise in the distribution of electronic components. Based in Hongkong, we have already established firm and mutual-benefit business relationships with customers from,Europe,America and south Asia,supplying obsolete and hard-to-find components to meet their specific needs.

With the principle of “Quality Parts,Customers Priority,Honest Operation,and Considerate Service”,our business mainly focus on the distribution of electronic components. Line cards we deal with include Microchip,ALPS,ROHM,Xilinx,Pulse,ON,Everlight and Freescale. Main products comprise IC,Modules,Potentiometer,IC Socket,Relay,Connector.Our parts cover such applications as commercial,industrial, and automotives areas.

We are looking forward to setting up business relationship with you and hope to provide you with the best service and solution. Let us make a better world for our industry!



Contact us

Tel: +86-755-8981 8866 Fax: +86-755-8427 6832

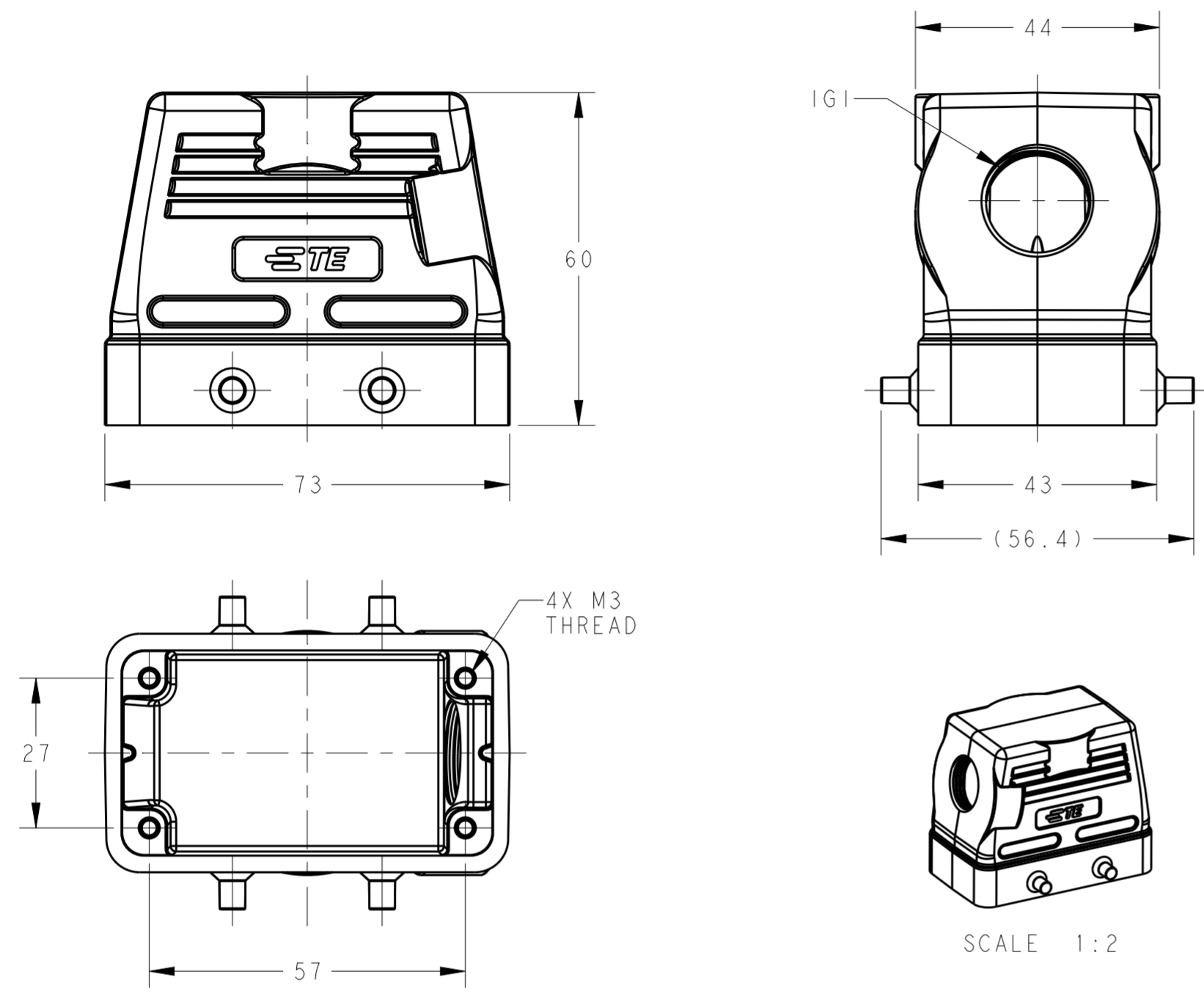
Email & Skype: info@chipsmall.com Web: www.chipsmall.com

Address: A1208, Overseas Decoration Building, #122 Zhenhua RD., Futian, Shenzhen, China

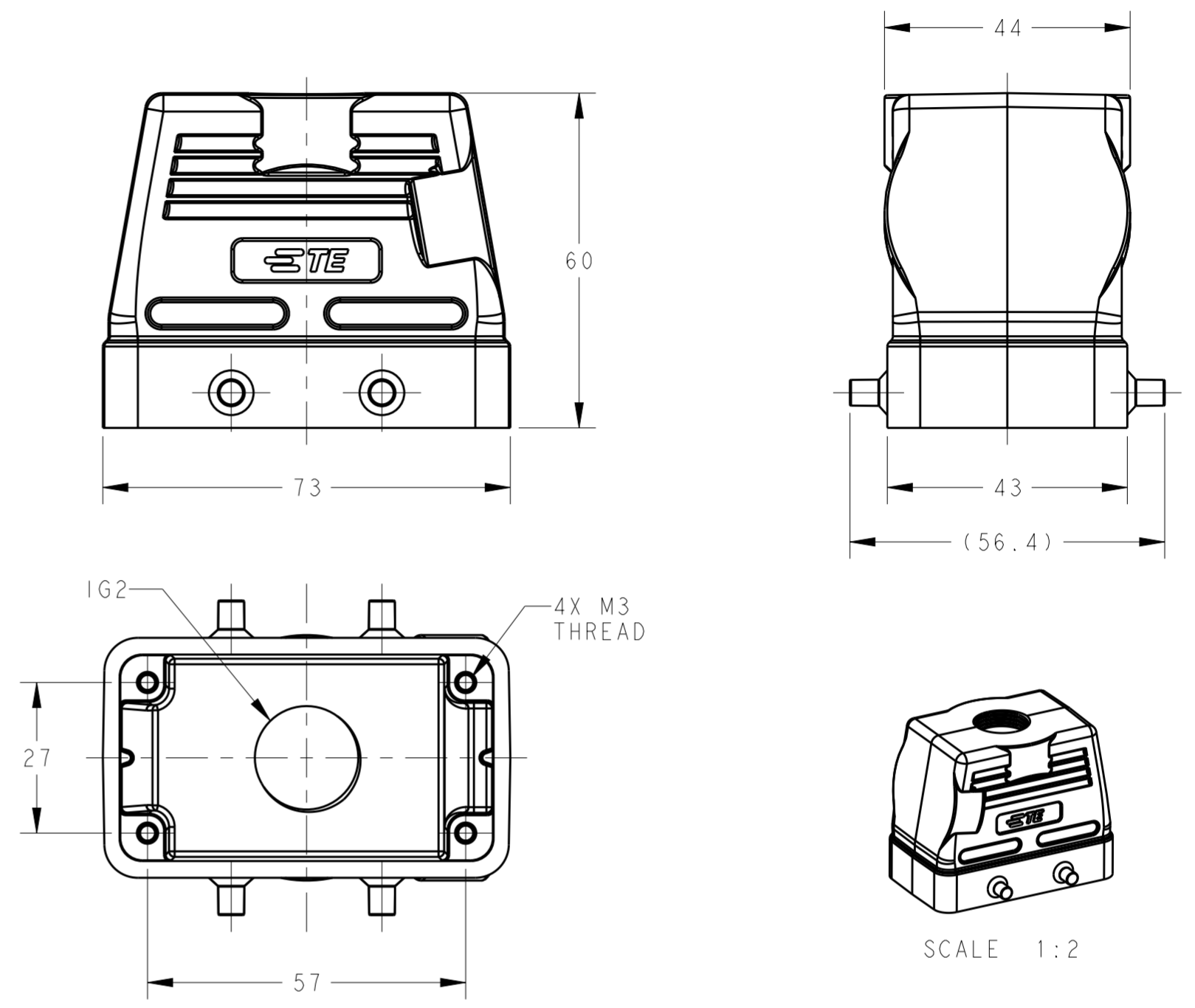


THIS DRAWING IS UNPUBLISHED. RELEASED FOR PUBLICATION 20
 © COPYRIGHT 20 BY - ALL RIGHTS RESERVED.

REVISIONS				
P	LTR	DESCRIPTION	DATE	APVD
	A	INITIAL	10JUN2015	DW CW



TYPE 1: LOW CONSTRUCTION, SIDE ENTRY



TYPE 2: LOW CONSTRUCTION, TOP ENTRY

NOTES:
 I. TECHNICAL CHARACTERISTICS:
 HOOD MATERIAL: DIE CAST ALUMINIUM ALLOY
 SURFACE: POWDER COATED, GREY
 OPERATION TEMPERATURE: -40-+125°C
 DEGREE OF PROTECTION: IP65 (MATED)

注释:
 I. 技术参数:
 上壳材料: 铝合金
 表面处理: 粉末涂层, 灰色
 工作温度: -40-+125°C
 防护等级: IP65(配合)

T1210100113-000	TYPE 1	H10B-TS-PG13.5	PG13.5	-
T1210100116-000		H10B-TS-PG16	PG16	-
T1210100120-000		H10B-TS-M20	M20	-
T1210100121-000		H10B-TS-PG21	PG21	-
T1210100125-000		H10B-TS-M25	M25	-
T1210100132-000		H10B-TS-M32	M32	-
T1220100113-000	TYPE 2	H10B-TG-PG13.5	-	PG13.5
T1220100116-000		H10B-TG-PG16	-	PG16
T1220100120-000		H10B-TG-M20	-	M20
T1220100121-000		H10B-TG-PG21	-	PG21
T1220100125-000		H10B-TG-M25	-	M25
T1220100136-000		H10B-TG-M36	-	M36
PART NUMBER	TYPE	DESCRIPTION	IG1	IG2

THIS DRAWING IS A CONTROLLED DOCUMENT.		DWN David Wang 10JUN2015	STE TE Connectivity	
		CHK Chris Wang 10JUN2015		
		APVD Xiang Xu 10JUN2015	NAME H10B-TS/TG-M/PG	
DIMENSIONS: mm		PRODUCT SPEC 108-137013	SIZE CAGE CODE DRAWING NO RESTRICTED TO	
TOLERANCES UNLESS OTHERWISE SPECIFIED:		APPLICATION SPEC 114-137013	A200779 C-T12X01001XX000	
MATERIAL		WEIGHT	SCALE 1:1 SHEET 1 OF 1 REV A	
		Customer Drawing		