



Chipsmall Limited consists of a professional team with an average of over 10 year of expertise in the distribution of electronic components. Based in Hongkong, we have already established firm and mutual-benefit business relationships with customers from,Europe,America and south Asia,supplying obsolete and hard-to-find components to meet their specific needs.

With the principle of “Quality Parts,Customers Priority,Honest Operation,and Considerate Service”,our business mainly focus on the distribution of electronic components. Line cards we deal with include Microchip,ALPS,ROHM,Xilinx,Pulse,ON,Everlight and Freescale. Main products comprise IC,Modules,Potentiometer,IC Socket,Relay,Connector.Our parts cover such applications as commercial,industrial, and automotives areas.

We are looking forward to setting up business relationship with you and hope to provide you with the best service and solution. Let us make a better world for our industry!



Contact us

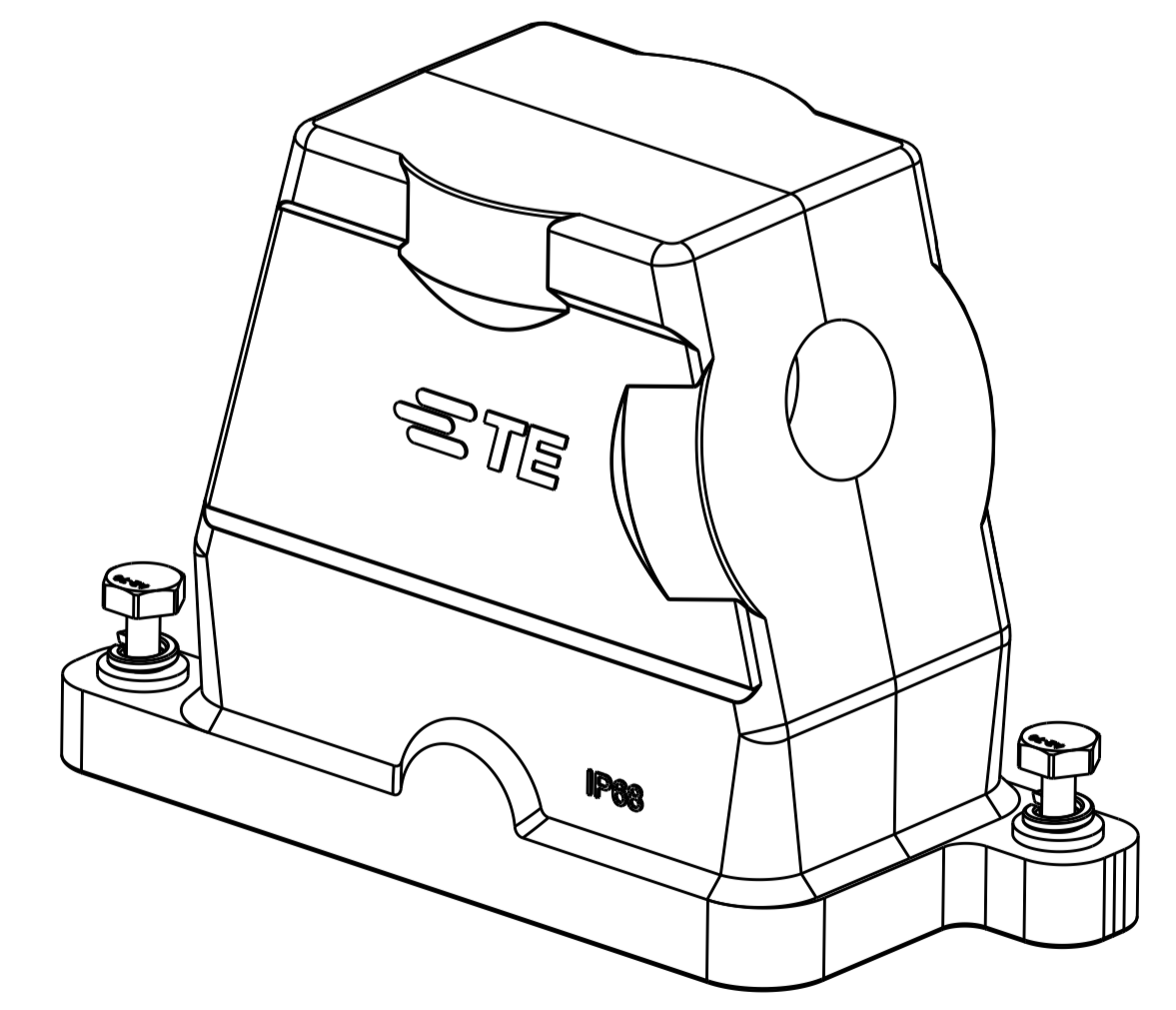
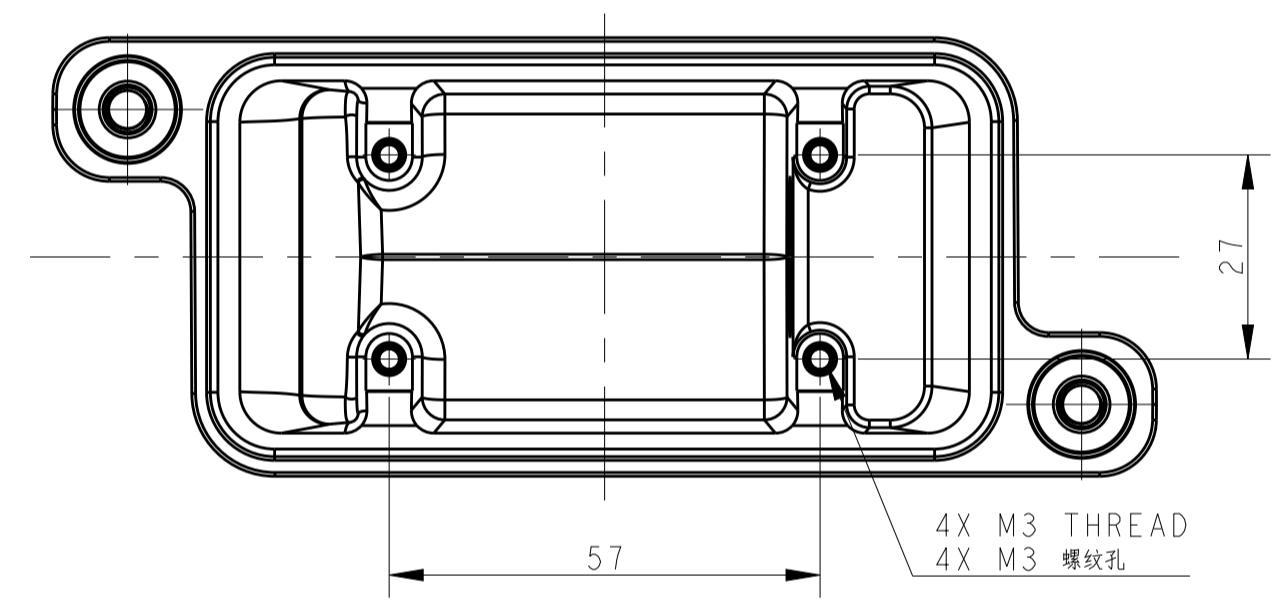
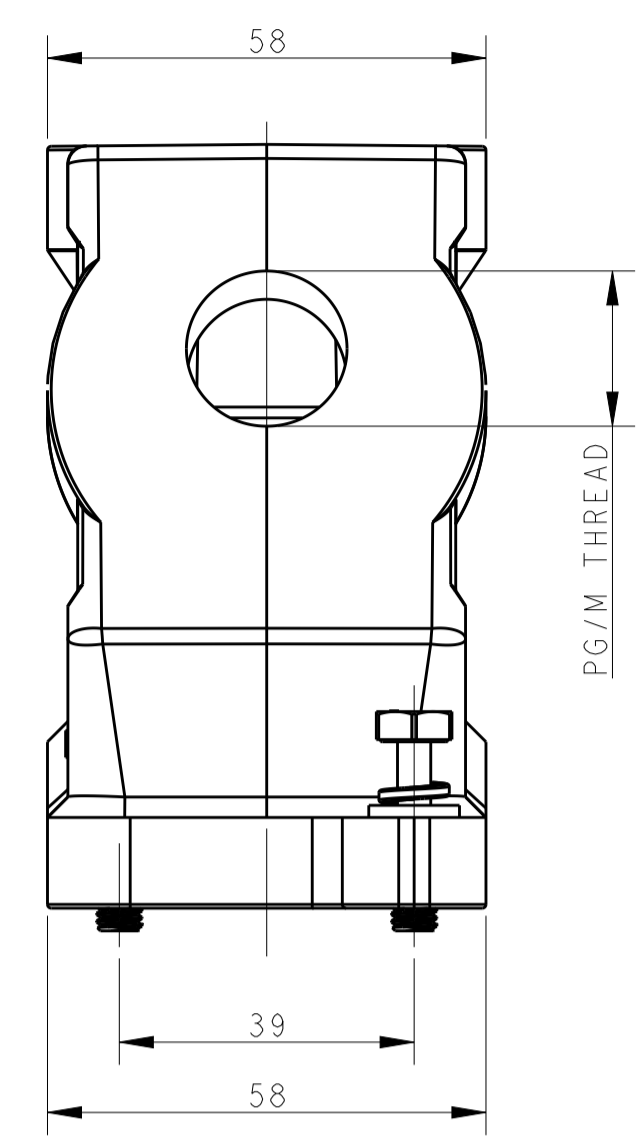
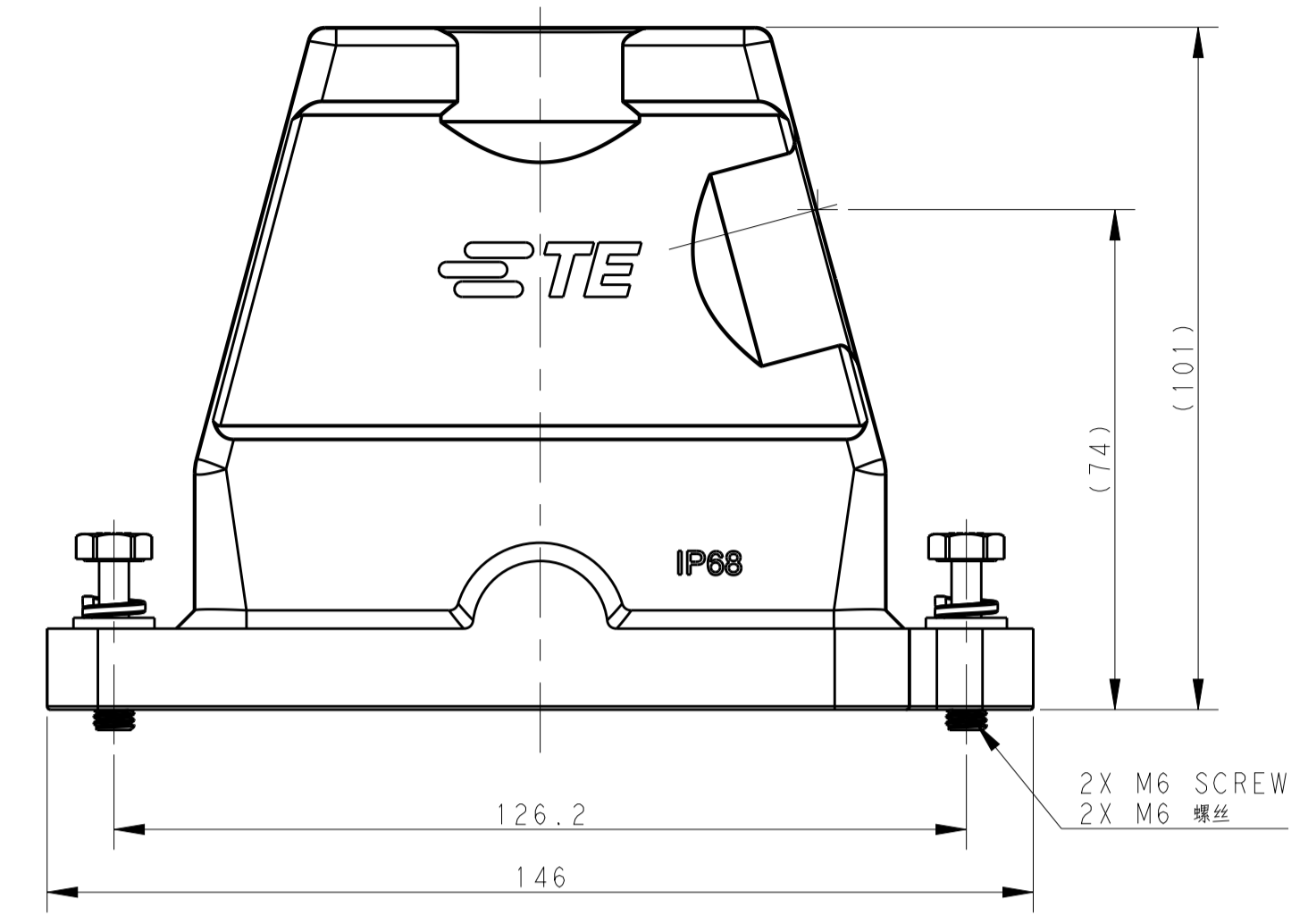
Tel: +86-755-8981 8866 Fax: +86-755-8427 6832

Email & Skype: info@chipsmall.com Web: www.chipsmall.com

Address: A1208, Overseas Decoration Building, #122 Zhenhua RD., Futian, Shenzhen, China



REVISIONS				
P	LTN	DESCRIPTION	DATE	APP'D
A		INITIAL RELEASE	20SEP2016	DW CW



NOTES:
1. TECHNICAL CHARACTERISTICS:
HOOD MATERIAL: DIE CAST ALUMINIUM ALLOY
SURFACE: SEE TABLE
DEGREE OF PROTECTION: IP68 (MATED)

注释
1. 技术参数:
壳体材料: 铝合金
表面处理: 见表格
防护等级: IP68 (配合)

PART NUMBER	料号	描述	PG/M THREAD
T1910102140-009	H10BPR-TSH-M40-EMC-C	H10BPR HOOD, DIAGONAL LOCKING, SIDE ENTRY M40, POWDER COATED, GREY H10BPR对角锁定侧出壳M40 灰色	M40
T1910102132-009	H10BPR-TSH-M32-EMC-C	H10BPR HOOD, DIAGONAL LOCKING, SIDE ENTRY M32, POWDER COATED, GREY H10BPR对角锁定侧出壳M32 灰色	M32
T1910102129-009	H10BPR-TSH-PG29-EMC-C	H10BPR HOOD, DIAGONAL LOCKING, SIDE ENTRY PG29, POWDER COATED, GREY H10BPR对角锁定侧出壳PG29 灰色	PG29
T1910102125-009	H10BPR-TSH-M25-EMC-C	H10BPR HOOD, DIAGONAL LOCKING, SIDE ENTRY M25, POWDER COATED, GREY H10BPR对角锁定侧出壳M25 灰色	M25
T1910102121-009	H10BPR-TSH-PG21-EMC-C	H10BPR HOOD, DIAGONAL LOCKING, SIDE ENTRY PG21, POWDER COATED, GREY H10BPR对角锁定侧出壳PG21 灰色	PG21
T1910102120-009	H10BPR-TSH-M20-EMC-C	H10BPR HOOD, DIAGONAL LOCKING, SIDE ENTRY M20, POWDER COATED, GREY H10BPR对角锁定侧出壳M20 灰色	M20
T1910102116-009	H10BPR-TSH-PG16-EMC-C	H10BPR HOOD, DIAGONAL LOCKING, SIDE ENTRY PG16, POWDER COATED, GREY H10BPR对角锁定侧出壳PG16 灰色	PG16
T1910101140-009	H10BPR-TSH-M40-EMC-C	H10BPR HOOD, DIAGONAL LOCKING, SIDE ENTRY M40, POWDER COATED, SILVER WHITE H10BPR对角锁定侧出壳M40 银白色	M40
T1910101132-009	H10BPR-TSH-M32-EMC-C	H10BPR HOOD, DIAGONAL LOCKING, SIDE ENTRY M32, POWDER COATED, SILVER WHITE H10BPR对角锁定侧出壳M32 银白色	M32
T1910101129-009	H10BPR-TSH-PG29-EMC-C	H10BPR HOOD, DIAGONAL LOCKING, SIDE ENTRY PG29, POWDER COATED, SILVER WHITE H10BPR对角锁定侧出壳PG29 银白色	PG29
T1910101125-009	H10BPR-TSH-M25-EMC-C	H10BPR HOOD, DIAGONAL LOCKING, SIDE ENTRY M25, POWDER COATED, SILVER WHITE H10BPR对角锁定侧出壳M25 银白色	M25
T1910101121-009	H10BPR-TSH-PG21-EMC-C	H10BPR HOOD, DIAGONAL LOCKING, SIDE ENTRY PG21, POWDER COATED, SILVER WHITE H10BPR对角锁定侧出壳PG21 银白色	PG21
T1910101120-009	H10BPR-TSH-M20-EMC-C	H10BPR HOOD, DIAGONAL LOCKING, SIDE ENTRY M20, POWDER COATED, SILVER WHITE H10BPR对角锁定侧出壳M20 银白色	M20
T1910101116-009	H10BPR-TSH-PG16-EMC-C	H10BPR HOOD, DIAGONAL LOCKING, SIDE ENTRY PG16, POWDER COATED, SILVER WHITE H10BPR对角锁定侧出壳PG16 银白色	PG16
T1910100140-009	H10BPR-TSH-M40-EMC-C	H10BPR HOOD, DIAGONAL LOCKING, SIDE ENTRY M40, POWDER COATED, BLACK H10BPR对角锁定侧出壳M40 黑色	M40
T1910100132-009	H10BPR-TSH-M32-EMC-C	H10BPR HOOD, DIAGONAL LOCKING, SIDE ENTRY M32, POWDER COATED, BLACK H10BPR对角锁定侧出壳M32 黑色	M32
T1910100129-009	H10BPR-TSH-PG29-EMC-C	H10BPR HOOD, DIAGONAL LOCKING, SIDE ENTRY PG29, POWDER COATED, BLACK H10BPR对角锁定侧出壳PG29 黑色	PG29
T1910100125-009	H10BPR-TSH-M25-EMC-C	H10BPR HOOD, DIAGONAL LOCKING, SIDE ENTRY M25, POWDER COATED, BLACK H10BPR对角锁定侧出壳M25 黑色	M25
T1910100121-009	H10BPR-TSH-PG21-EMC-C	H10BPR HOOD, DIAGONAL LOCKING, SIDE ENTRY PG21, POWDER COATED, BLACK H10BPR对角锁定侧出壳PG21 黑色	PG21
T1910100120-009	H10BPR-TSH-M20-EMC-C	H10BPR HOOD, DIAGONAL LOCKING, SIDE ENTRY M20, POWDER COATED, BLACK H10BPR对角锁定侧出壳M20 黑色	M20
T1910100116-009	H10BPR-TSH-PG16-EMC-C	H10BPR HOOD, DIAGONAL LOCKING, SIDE ENTRY PG16, POWDER COATED, BLACK H10BPR对角锁定侧出壳PG16 黑色	PG16

THIS DRAWING IS A CONTROLLED DOCUMENT. DWN: DAVID WANG, 20SEP2016; CHR: CHRIS WANG, 20SEP2016.

DIMENSIONS: mm. TOLERANCES UNLESS OTHERWISE SPECIFIED: 0 PLC ±, 1 PLC ±, 2 PLC ±, 3 PLC ±, 4 PLC ±, ANGLES ±.

MATERIAL: -. FINISH: -. WEIGHT: -. CUSTOMER DRAWING.

DAVID WANG, 20SEP2016; CHRIS WANG, 20SEP2016; XIANG YU, 20SEP2016.

NAME: H10BPR-TSH-PG/M-EMC-C. PRODUCT SPEC: 108-137191. APPLICATION SPEC: 114-137191.

SIZE: A1. CAGE CODE: -. DRAWING NO: T191010XXXXX09. RESTRICTED TO: -. SCALE: 1:1. SHEET: 1 OF 1. REV: A.

STE TE Connectivity