



Chipsmall Limited consists of a professional team with an average of over 10 year of expertise in the distribution of electronic components. Based in Hongkong, we have already established firm and mutual-benefit business relationships with customers from,Europe,America and south Asia,supplying obsolete and hard-to-find components to meet their specific needs.

With the principle of “Quality Parts,Customers Priority,Honest Operation,and Considerate Service”,our business mainly focus on the distribution of electronic components. Line cards we deal with include Microchip,ALPS,ROHM,Xilinx,Pulse,ON,Everlight and Freescale. Main products comprise IC,Modules,Potentiometer,IC Socket,Relay,Connector.Our parts cover such applications as commercial,industrial, and automotives areas.

We are looking forward to setting up business relationship with you and hope to provide you with the best service and solution. Let us make a better world for our industry!



Contact us

Tel: +86-755-8981 8866 Fax: +86-755-8427 6832

Email & Skype: info@chipsmall.com Web: www.chipsmall.com

Address: A1208, Overseas Decoration Building, #122 Zhenhua RD., Futian, Shenzhen, China





Auxiliary Contact, Alarm Switch

| Type/ Cat No. | Description | Contacts Type | Std Pk |
|---------------|------------------------------|--------------------|--------|
| H10UL | 1 Auxiliary Contact | 1NO | 6 |
| H11UL | 2 Auxiliary Contacts | 1NO + 1NC | 6 |
| H12UL | 3 Auxiliary Contacts | 1NO + 2NC | 6 |
| H21UL | 3 Auxiliary Contacts | 2NO + 1NC | 6 |
| HLS11L* | 1 Auxiliary/1 Signal Contact | 1CO + 1CO (Signal) | 6 |

| | |
|---------------------------------|---|
| Rated Operating Currents | 10A@240V AC 3A@110V DC 1A@220V DC |
|---------------------------------|---|

| | |
|-----------------------------|----------------------|
| Minimum Contact Load | 1mA @ 24V DC |
| Torque | max. 0.8Nm (7 lb.in) |

| | |
|-----------------------------------|---|
| Wire Range: | |
| Single Wire | 1.0mm ² - 2.5mm ² (18-14 AWG) |
| Stranded Wire | 1.0mm ² - 1.5mm ² (18-16 AWG) |
| Stranded Wire with Ferrule | 1.0mm ² - 1.5mm ² (18-16 AWG) |

Shunt Trip

| Type/ Cat No. | Rated Voltage U _N | Max. Operating Current @ U _N | Std Pk |
|---------------|------------------------------|---|--------|
| FA12UL | 12V AC/DC | 1.3A | 5 |
| FA24UL | 24V AC/DC | 0.6A | 5 |
| FA48UL | 48 - 72V AC/DC | 0.2A | 5 |
| FA110UL | 110 - 240V AC/DC, 277V AC | 0.25A @ 110V 0.5A @ 240V 0.58A @ 277V | 5 |

Undervoltage Trip*

| Type/ Cat No. | Line Voltage V _E | Std Pk |
|---------------|-----------------------------|--------|
| UA120UL | 120V AC, 60Hz | 5 |

Reset-Hold Voltage = 0.85 x V_E
Drop-Out Voltage = 0.35 ~ 0.7 x V_E

V_E = Rated Voltage

Neutral Pole

| Type/ Cat No. | Rated Current I _N | Rated Voltage U _N | Std Pk |
|---------------|------------------------------|------------------------------|--------|
| N32UL | 0.3 - 32A | 480Y/277V AC | 6 |
| N63UL | 40 - 63A | 240V AC | 6 |

Touch Protection Caps

to cover the terminal screw holes on the switching devices, neutral Poles and shunt trips for increased touch protection.

| Type/ Cat No. | Std Pk |
|---------------|--------|
| BS.UJ | 100 |

Cooling Spacer



| Type/ Cat No. | Std Pk |
|---------------|--------|
| 15.960 | 1 |

Mounting Screw 34mm

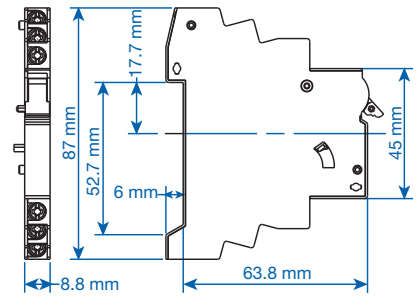
to connect the auxiliary contact and shunt trip or neutral Pole to the circuit breaker.

| Type/ Cat No. | Std Pk |
|---------------|--------|
| E983419 | 10 |

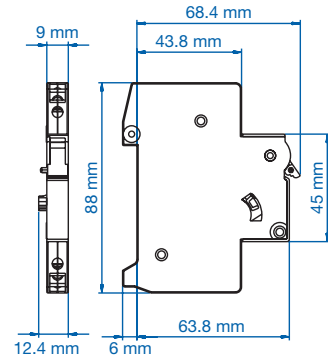
Lock-out Adapter**



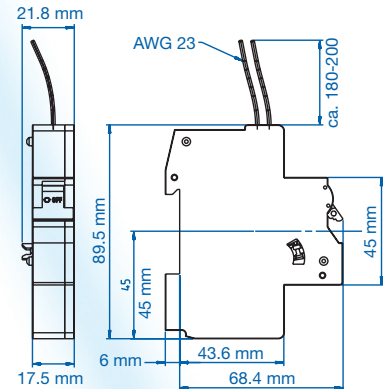
| Type/ Cat No. | Std Pk |
|---------------|--------|
| EASS | 10 |



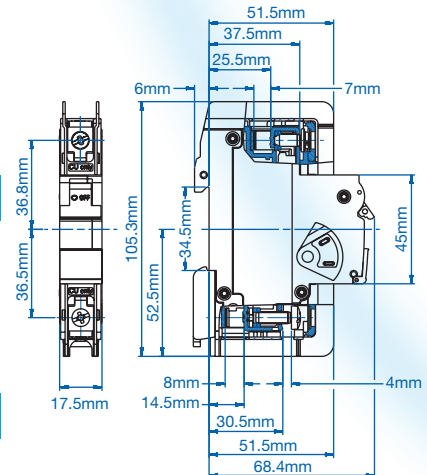
Dimensions HxxUL



Dimensions HLS11L



Dimensions UA120UL



Dimensions NxxUL, FxUL

* UL Pending

** UL and DL series can also be locked in the on and off position by simply using a common lead or meter seal, which gets fed through the hole in the handle and a corresponding hole in the housing.