



Chipsmall Limited consists of a professional team with an average of over 10 year of expertise in the distribution of electronic components. Based in Hongkong, we have already established firm and mutual-benefit business relationships with customers from,Europe,America and south Asia,supplying obsolete and hard-to-find components to meet their specific needs.

With the principle of "Quality Parts,Customers Priority,Honest Operation,and Considerate Service",our business mainly focus on the distribution of electronic components. Line cards we deal with include Microchip,ALPS,ROHM,Xilinx,Pulse,ON,Everlight and Freescale. Main products comprise IC,Modules,Potentiometer,IC Socket,Relay,Connector.Our parts cover such applications as commercial,industrial, and automotives areas.

We are looking forward to setting up business relationship with you and hope to provide you with the best service and solution. Let us make a better world for our industry!



Contact us

Tel: +86-755-8981 8866 Fax: +86-755-8427 6832

Email & Skype: info@chipsmall.com Web: www.chipsmall.com

Address: A1208, Overseas Decoration Building, #122 Zhenhua RD., Futian, Shenzhen, China



AMPHENOL P/N:

| AMPHENOL P/N: | PCB THICKNESS DIM "T" | DIM 'A' | DIM 'B' |
|------------------|-----------------------|--------------|-------------------------|
| H11-RDA-110-3 | .062" [1.57] | .053" [1.35] | .053±.01" [1.35±0.25mm] |
| H11-RDA-110-3-C | .062" [1.57] | .053" [1.35] | .053±.01" [1.35±0.25mm] |
| H11-RDA-110-3-CT | .062" [1.57] | .053" [1.35] | .053±.01" [1.35±0.25mm] |
| H11-RDA-110-4 | .093" [2.36] | .081" [2.05] | .064±.01" [1.62±0.25mm] |
| H11-RDA-110-4-C | .093" [2.36] | .081" [2.05] | .064±.01" [1.62±0.25mm] |
| H11-RDA-110-4-CT | .093" [2.36] | .081" [2.05] | .064±.01" [1.62±0.25mm] |

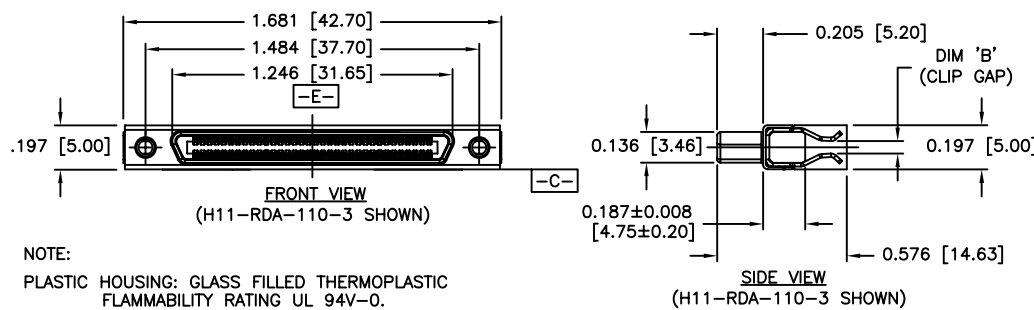
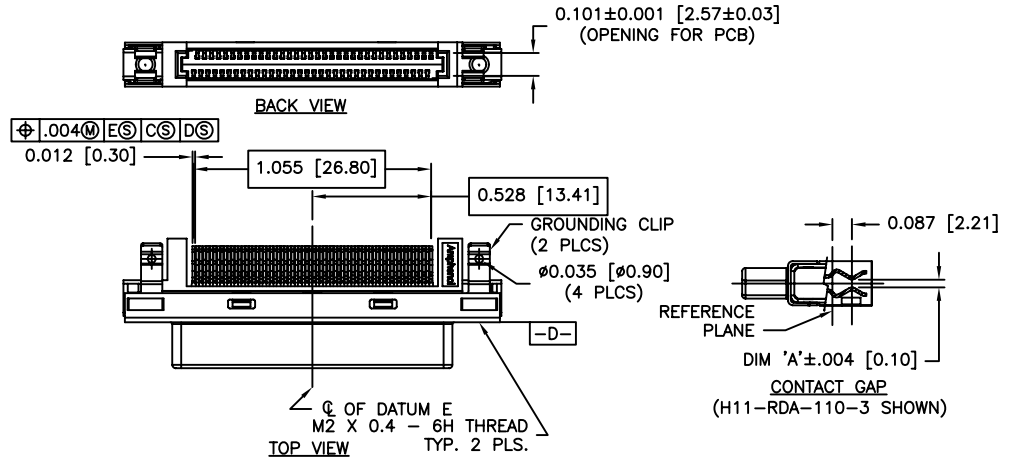
PART NUMBER SYSTEM:

H 1 1 - R D A - 1 1 0 - X - X X

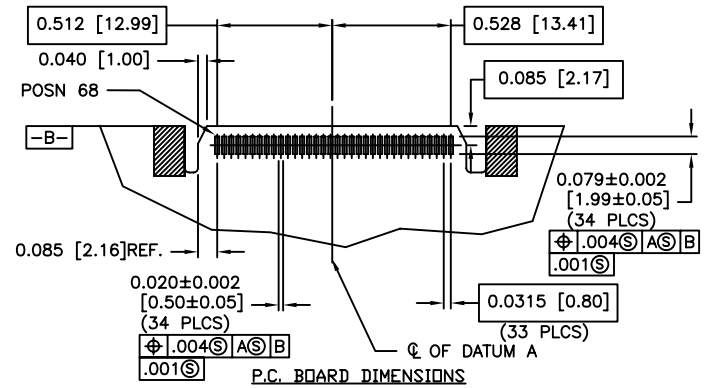
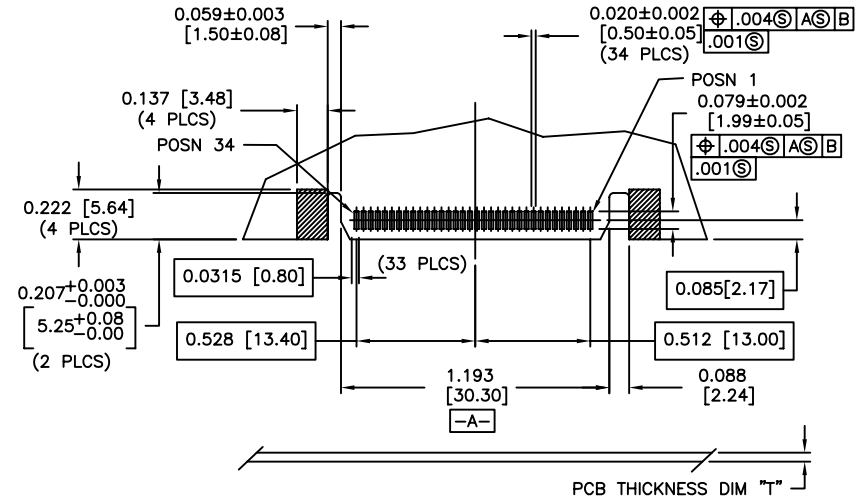
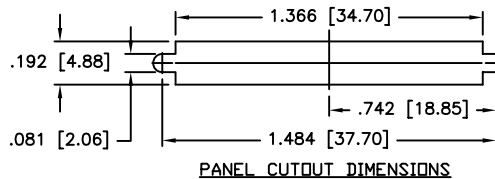
OPTIONS:
 3= FOR 0.062" THICK PCB
 4= FOR 0.093" THICK PCB

BLANK= WITHOUT PLUG & WITH TUBE PACKAGING;
 C = WITH PLUG & TUBE PACKAGING;
 CT= WITH PLUG & TAPE & REEL PACKAGING

| REVISIONS | | | |
|-----------|--|-----------|----------|
| REV. | DESCRIPTION | DATE | APPROVED |
| A | DWG No. CHANGED FROM H11-RDA-100-X-XX | SEP09/03 | AK |
| B | CHANGE CLIP OPENING DIM & TOL. | NOV19/02 | AK |
| C | CHANGE PCB DIMENSIONS TO MATCH CUSTOMER PCB. | OCT21/04 | AG |
| D | CHANGE CLIP GAP DIMENSION TOLERANCE | DEC19/05 | LCHW |
| E | ECN E07198 | JUN 2007 | LCHW |
| F | ECN E07376 | OCT 22/07 | LCHW |
| G | CHANGE DIM 0.031(0.80) TO 0.0315(0.80) | MAY 18/09 | AG |



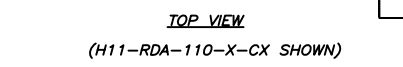
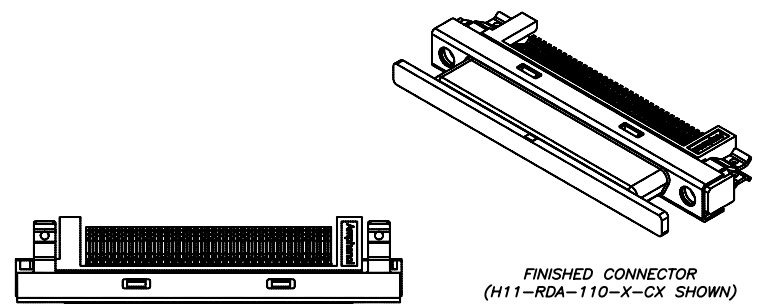
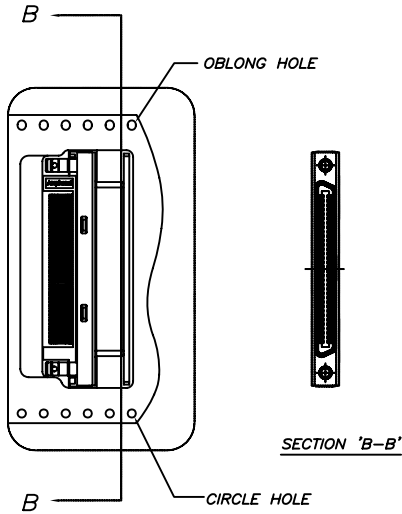
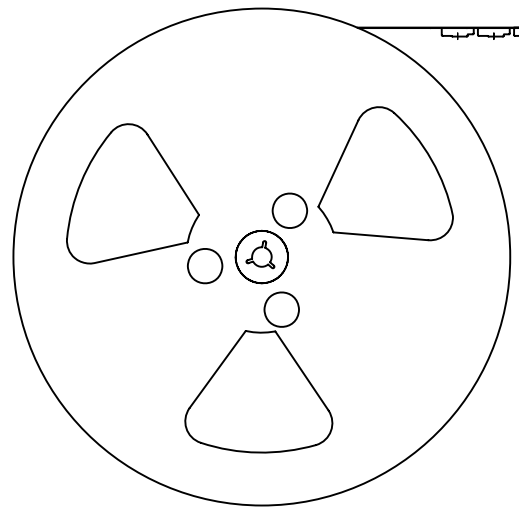
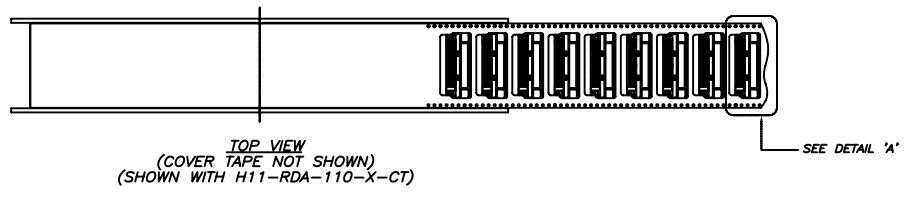
NOTE:
 PLASTIC HOUSING: GLASS FILLED THERMOPLASTIC
 FLAMMABILITY RATING UL 94V-0.
 COLOUR: BLACK
 CONTACTS: PHOSPHOR BRONZE
 30 u" [0.76 MICRONS] GOLD OVER
 50 u" [1.27 MICRONS] NICKEL.
 SHELL: STEEL, NICKEL PLATED.
 GROUNDING CLIP: COPPER ALLOY , 150u" (3.75 MICRONS)
 TIN-LEAD OVER 50u" (1.27 MICRONS) NICKEL
 REFLOW: 6u" (0.15 MICRONS) MIN. SOLDER PASTE ON
 P.C. BOARD REQUIRED FOR REFLOW PROCESS.



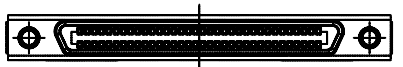
DO NOT SCALE DRAWING
 OR USED FOR MANUFACTURING PURPOSES WITHOUT PERMISSION FROM AMPHENOL CANADA CORP.

| UNLESS OTHERWISE SPECIFIED DIMENSIONS ARE IN INCHES | APPROVALS | | DATE | Amphenol Canada Corp. |
|---|-------------|-----------------------------|---|-----------------------|
| | DRAWN | A.K. | SEPT09/03 | |
| REVISIONS | A.K. | SEPT09/03 | VHDCI STRADDLE MOUNT RECEPTACLE, NO SCREWLOCKS, SHIELDED WITH NO EMI TABS | |
| INTERNAL AND FINISH | DESIGNED | A.GREEN | SEPT09/03 | |
| SEE NOTES | DR APPR | K.L. | SEPT09/03 | |
| REF. ECN E07198 | DR APPR | | | |
| CURR. TIT. NO. 03554 | DRG APPR | | | |
| | REV. B | REV. NO. P-H11-RDA-110-X-XX | REV. G | |
| | SCALE 2 = 1 | PROJECT RDA | SHEET 1 OF 2 | |

| REVISIONS | | | |
|-----------|--|-----------|----------|
| REV. | DESCRIPTION | DATE | APPROVED |
| A | DWG No. CHANGED FROM H11-RDA-100-X-XX | SEPT09/03 | A.K. |
| B | CHANGE CLIP OPENING DIM. & TOL. | NOV19/03 | A.K. |
| C | CHANGE PCB DIMENSIONS TO MATCH CUSTOMER PCB. | DEC12/04 | A.G. |
| D | CHANGE CLIP GAP DIMENSION TOLERANCE. | DEC19/06 | L.CHAN |
| E | ECN E07198 | JUN20/07 | L.CHAN |
| F | ECN E07376 | OCT 22/07 | L.CHAN |
| G | CHANGE DIM 0.031(0.80) TO 0.0315(0.80) | MAY 18/09 | A.G. |



PLUG COVER TO BE
REMOVED AFTER
CONNECTOR SOLDERED
INTO THE PCB



- PACKAGING NOTES:**
- REEL DETAILS:
 - O.D.: 330.00 [12.992].
 - THICKNESS: 56.8 [2.236].
 - CONNECTORS PER REEL: 496.
 - TAPE & REEL PACKAGING IS IN COMPLIANCE WITH EIA 481.

DO NOT SCALE DRAWING
OR USED FOR MANUFACTURING PURPOSES WITHOUT PERMISSION FROM AMPHENOL CANADA CORP.

| | | | | |
|---|------------|-----------|-----------|---|
| UNLESS OTHERWISE SPECIFIED DIMENSIONS ARE IN INCHES | | APPROVALS | DATE | Amphenol Canada Corp. |
| DRAWN | | A.K. | SEPT09/03 | TITLE |
| DESIGNED | | A.K. | SEPT09/03 | VHDCI STRADDLE MOUNT RECEPTACLE, NO SCREWLOCKS, SHIELDED WITH NO EMI TABS |
| CHECKED | | A.GREEN | SEPT09/03 | |
| IN APPR | | K.L. | SEPT09/03 | |
| SEE NOTES | | | | |
| REF. | ECN E07198 | E APPR | | SIZE B DWG. NO. P-H11-RDA-110-X-XX REV. G |
| DATE THER. NO. | 03554 | DWG APPR | | SCALE N.T.S. PROJECT RDA SHEET 2 OF 2 |