



Chipsmall Limited consists of a professional team with an average of over 10 year of expertise in the distribution of electronic components. Based in Hongkong, we have already established firm and mutual-benefit business relationships with customers from,Europe,America and south Asia,supplying obsolete and hard-to-find components to meet their specific needs.

With the principle of “Quality Parts,Customers Priority,Honest Operation,and Considerate Service”,our business mainly focus on the distribution of electronic components. Line cards we deal with include Microchip,ALPS,ROHM,Xilinx,Pulse,ON,Everlight and Freescale. Main products comprise IC,Modules,Potentiometer,IC Socket,Relay,Connector.Our parts cover such applications as commercial,industrial, and automotives areas.

We are looking forward to setting up business relationship with you and hope to provide you with the best service and solution. Let us make a better world for our industry!



Contact us

Tel: +86-755-8981 8866 Fax: +86-755-8427 6832

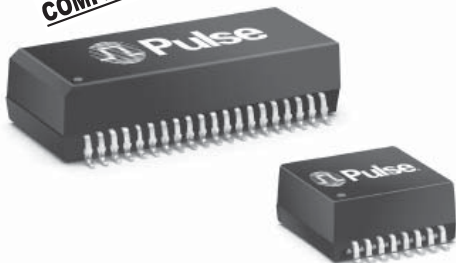
Email & Skype: info@chipsmall.com Web: www.chipsmall.com





Address: A1208, Overseas Decoration Building, #122 Zhenhua RD., Futian, Shenzhen, China



10/100BASE-TX TRANSFORMER MODULES

For Auto MDI/MDIX Applications



-  RoHS peak reflow temperature rating 245°C
-  Symmetrical transmit and receive channels for Auto MDI/MDIX capability
-  Approved for use with the Broadcom BCM5226 and Level One LXT9784
-  Meets IEEE 802.3 specification

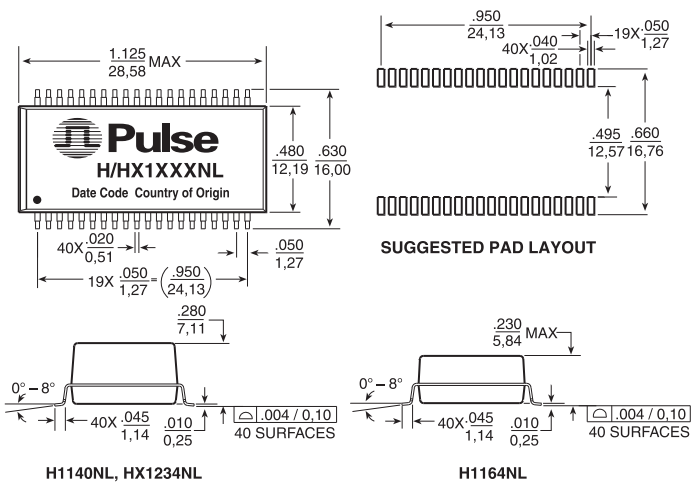
Electrical Specifications @ 25°C — Operating Temperature 0°C to 70°C

RoHS Compliant Part Number ²	Insertion Loss (MAX)	Return Loss (dB MIN)				Crosstalk (dB MIN)				Differential to Common Mode Rejection (dBMIN)		Hipot (Vrms MIN)
		0.1-100 MHz	2-30 MHz	40 MHz	50 MHz	60-80 MHz	1 kHz	30 MHz	60 MHz	100 MHz	1-60 MHz	
H1140NL ^{3c}	-1.0	-18	-14.4	-13.1	-12	-65	-50	-40	-35	-40	-35	1500
H1141NL ^{3c}	-1.0	-18	-14.4	-13.1	-12	-65	-50	-40	-35	-40	-35	1500
H1164NL ^{3d}	-1.0	-18	-14.4	-13.1	-12	-55	-45	-40	-33	-37	-25	1500
HX1234NL ^{1,3c}	-1.4	-18	-14.4	-13.1	-12	-55	-45	-40	-33	-37	-25	1500

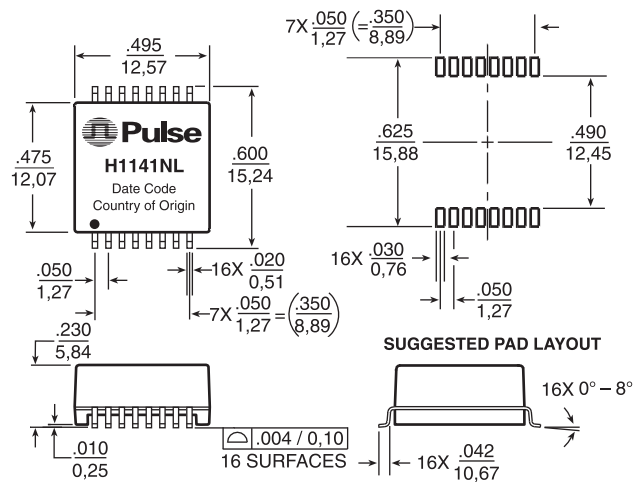
- Operating Temperature -40°C to +85°C C_{ww}
- For Tape & Reel packaging, add a "T" suffix to the end of the part number when ordering, (Ex: H1164NLT)
- MSL = Moisture Sensitivity Level a=1 b=2 c=3 d=4

Mechanicals

H1140NL, H1164NL, HX1234NL



H1141NL



Weight 4.8 grams
Tape & Reel 250/reel
Tube 15/tube

Weight 1 gram
Tape & Reel 350/reel
Tube 35/tube

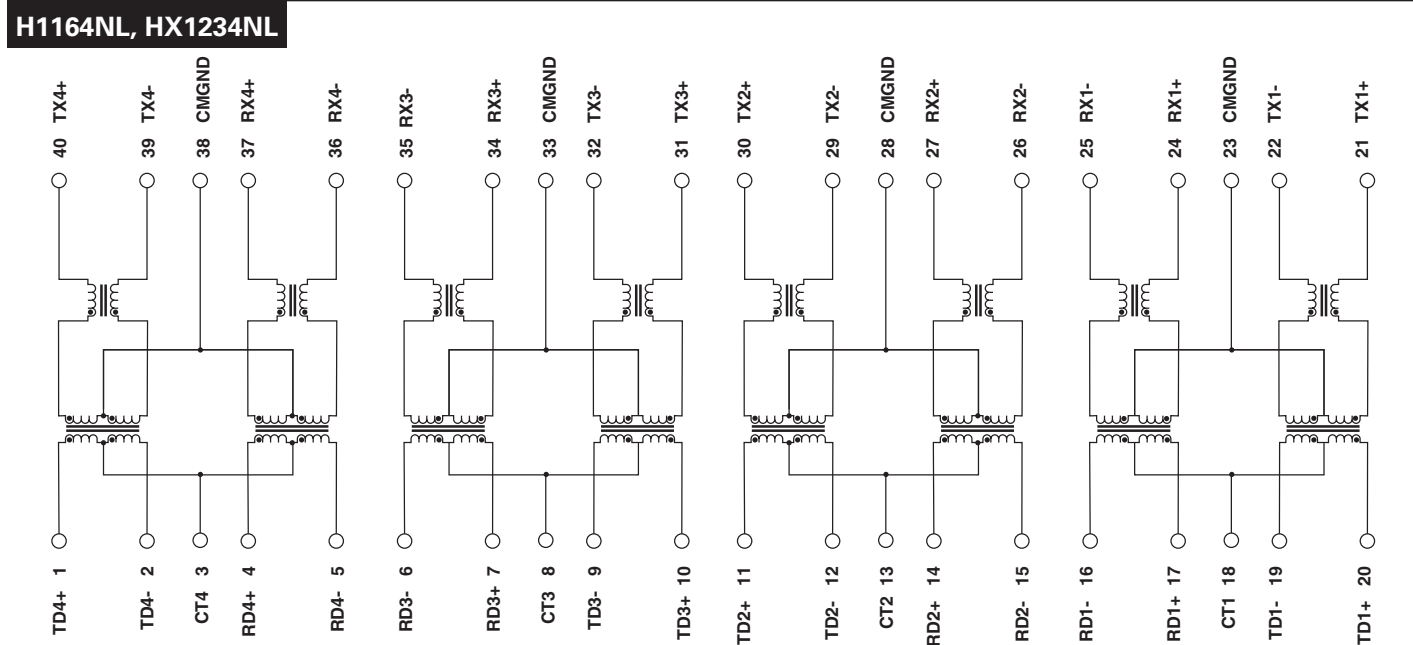
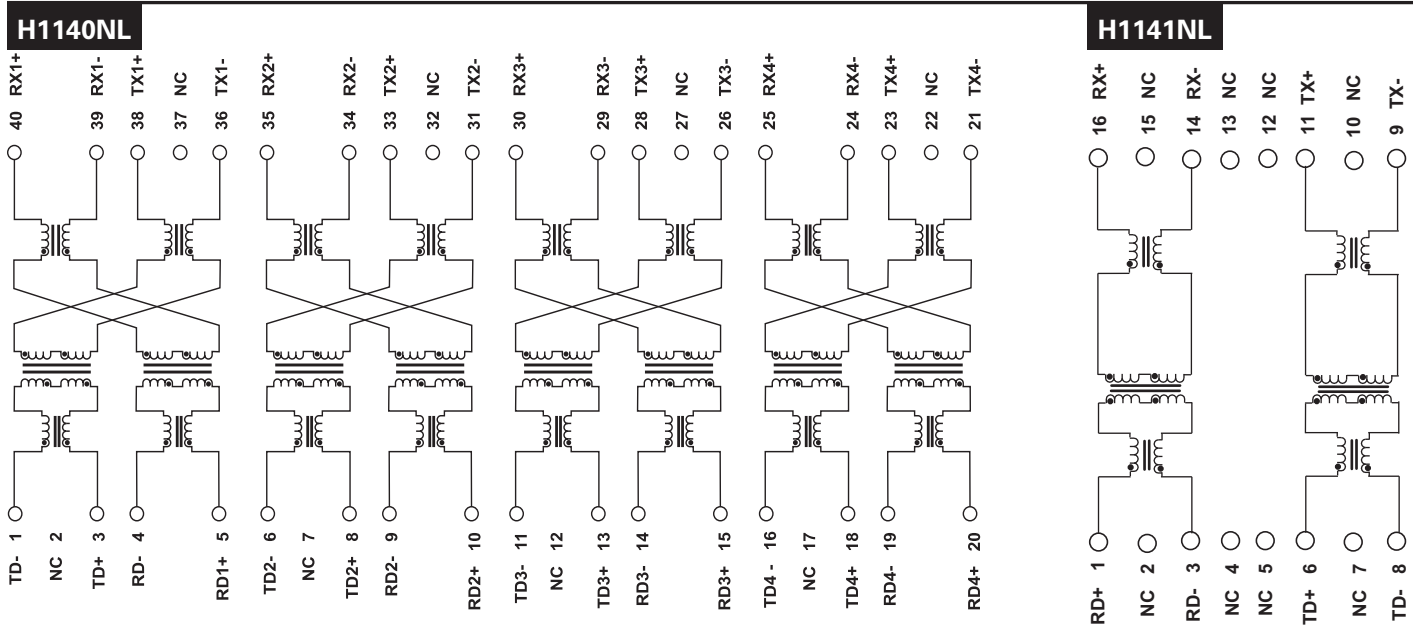
Dimensions: $\frac{\text{Inches}}{\text{mm}}$ Unless otherwise specified, all tolerances are $\pm \frac{.010}{0.25}$

10/100BASE-TX TRANSFORMER MODULES

For Auto MDI/MDIX Applications



Schematics



For More Information:

- | | | | | | |
|--|--|---|---|--|---|
| <p>Pulse Worldwide Headquarters
12220 World Trade Dr.
San Diego, CA 92128
U.S.A.</p> <p>www.pulseeng.com
Tel: 858 674 8100
Fax: 858 674 8262</p> | <p>Pulse Europe
Einsteinstrasse 1
D-71083 Herrenberg
Germany</p> <p>Tel: 49 7032 7806 0
Fax: 49 7032 7806 135</p> | <p>Pulse China Headquarters
B402, Shenzhen Academy of
Aerospace Technology Bldg.
10th Kejinan Rd.
High-Tech Zone
Nanshan District
Shenzhen, PR China 518057</p> <p>Tel: 86 755 33966678
FAX: 86 755 33966700</p> | <p>Pulse North China
Room 1503
XinYin Building
No. 888 YiShan Rd.
Shanghai 200233
China</p> <p>Tel: 86 21 54643211/2
Fax: 86 21 54643210</p> | <p>Pulse South Asia
135 Joo Seng Rd.
#03-02
PM Industrial Bldg.
Singapore 368363</p> <p>TEL: 65 6287 8998
FAX: 65 6280 0080</p> | <p>Pulse North Asia
No. 26, Kao Ching Rd.
Yang Mei Chen
Taoyuan Hsien
Taiwan
R. O. C.</p> <p>Tel: 886 3 4643715
Fax: 886 3 4641911</p> |
|--|--|---|---|--|---|

Performance warranty of products offered on this data sheet is limited to the parameters specified. Data is subject to change without notice. Other brand and product names mentioned herein may be trademarks or registered trademarks of their respective owners.
© Copyright, 2009. Pulse Engineering, Inc. All rights reserved.