



Chipsmall Limited consists of a professional team with an average of over 10 year of expertise in the distribution of electronic components. Based in Hongkong, we have already established firm and mutual-benefit business relationships with customers from,Europe,America and south Asia,supplying obsolete and hard-to-find components to meet their specific needs.

With the principle of “Quality Parts,Customers Priority,Honest Operation,and Considerate Service”,our business mainly focus on the distribution of electronic components. Line cards we deal with include Microchip,ALPS,ROHM,Xilinx,Pulse,ON,Everlight and Freescale. Main products comprise IC,Modules,Potentiometer,IC Socket,Relay,Connector.Our parts cover such applications as commercial,industrial, and automotives areas.

We are looking forward to setting up business relationship with you and hope to provide you with the best service and solution. Let us make a better world for our industry!



## Contact us

Tel: +86-755-8981 8866 Fax: +86-755-8427 6832

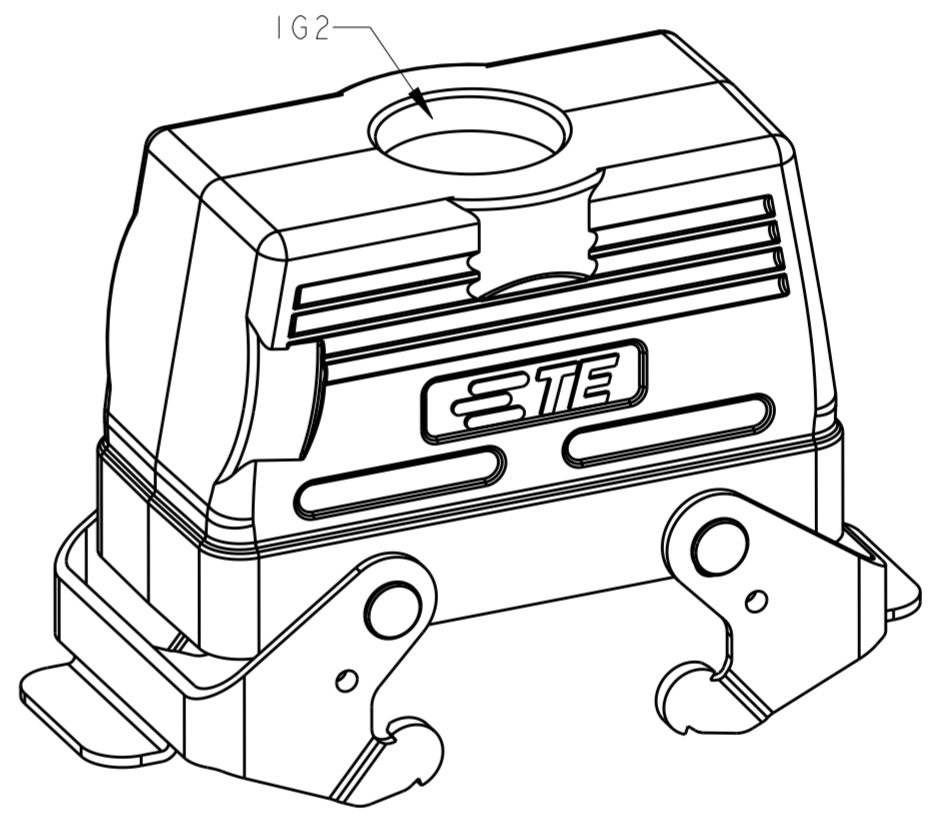
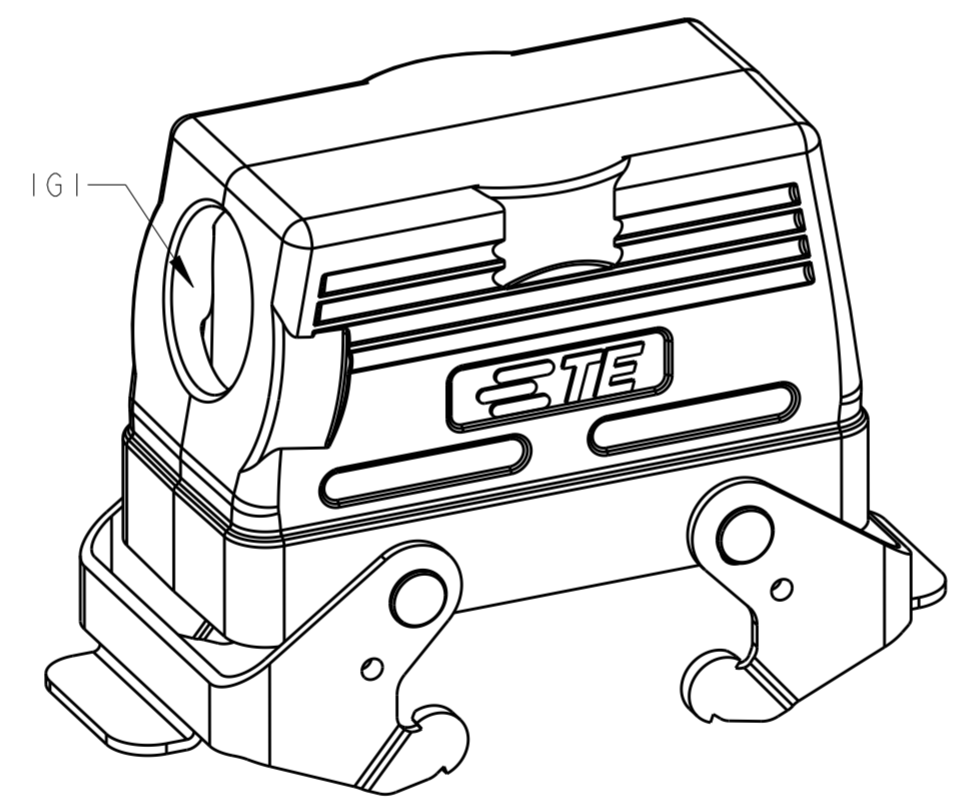
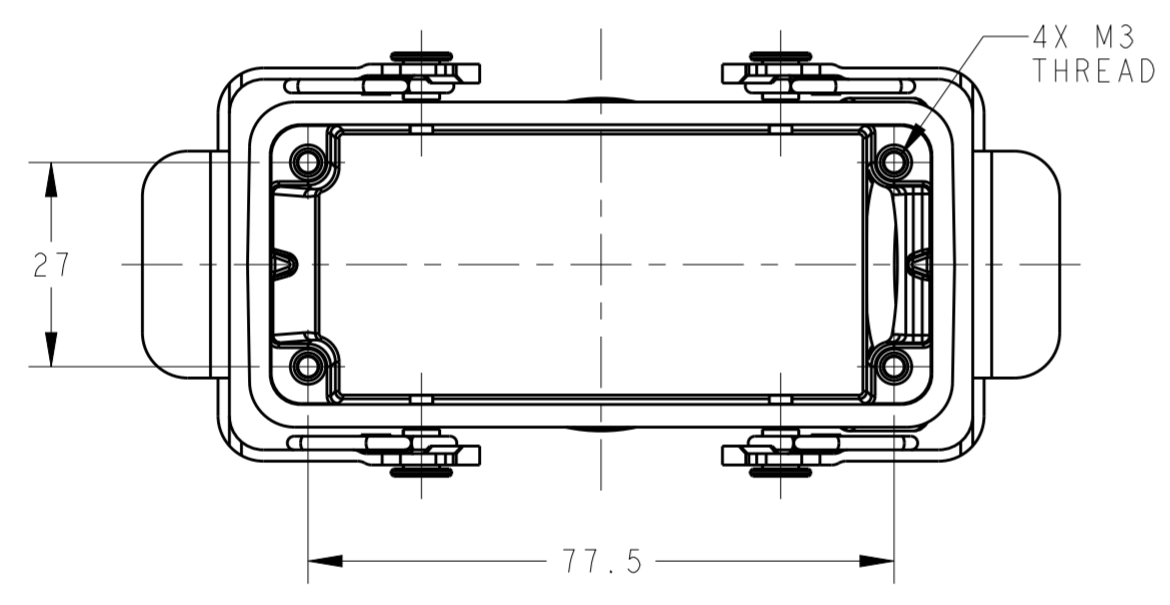
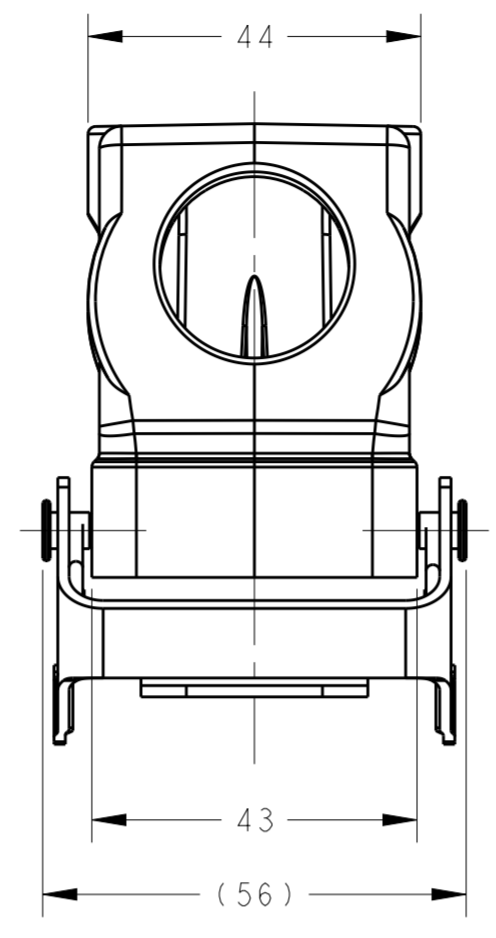
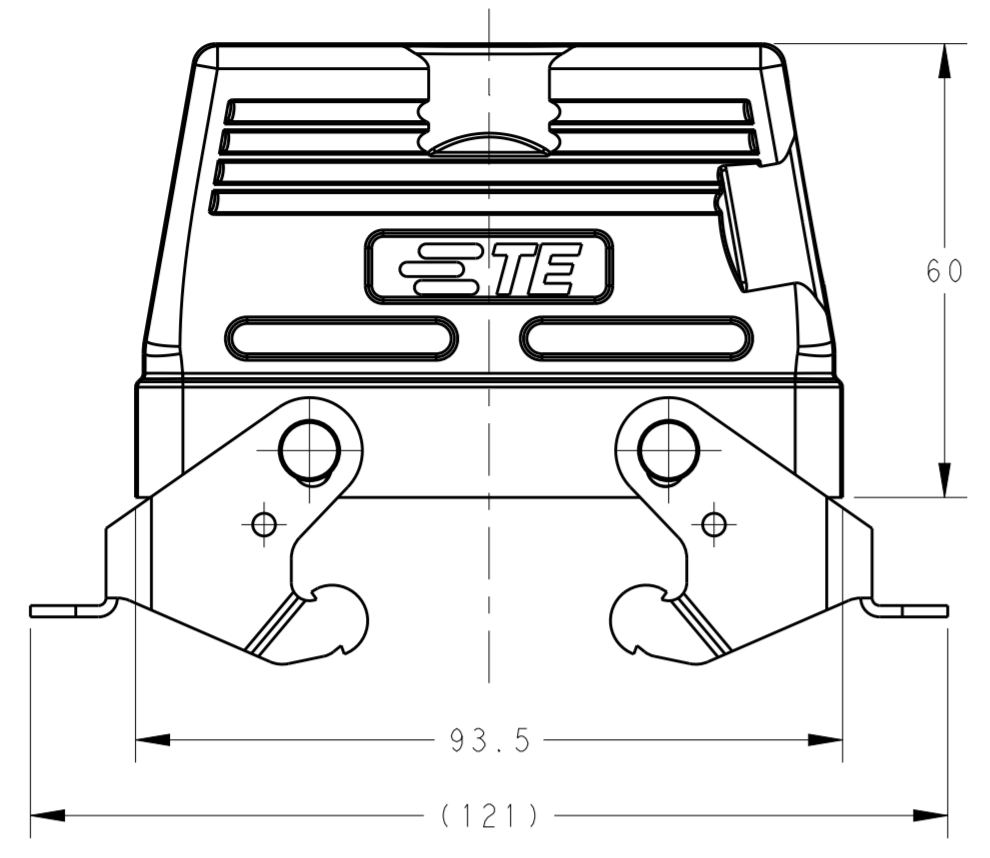
Email & Skype: info@chipsmall.com Web: www.chipsmall.com

Address: A1208, Overseas Decoration Building, #122 Zhenhua RD., Futian, Shenzhen, China



THIS DRAWING IS UNPUBLISHED. RELEASED FOR PUBLICATION 20  
 © COPYRIGHT 20 BY - ALL RIGHTS RESERVED.

REVISIONS				
P	LTR	DESCRIPTION	DATE	APVD
	A	INITIAL	29MAY2015	DW CW



NOTES:  
 1. TECHNICAL CHARACTERISTICS:  
 HOOD MATERIAL: DIE CAST ALUMINIUM ALLOY  
 SURFACE: POWDER COATED, GREY  
 OPERATION TEMPERATURE: -40-+125°C  
 DEGREE OF PROTECTION: IP65 (MATED)

注释:  
 1. 技术参数:  
 上壳材料: 铝合金  
 表面处理: 粉末涂层, 灰色  
 工作温度: -40-+125°C  
 防护等级: IP65(配合)

TYPE 1: LOW CONSTRUCTION, SIDE ENTRY WITH STEEL LOCKING

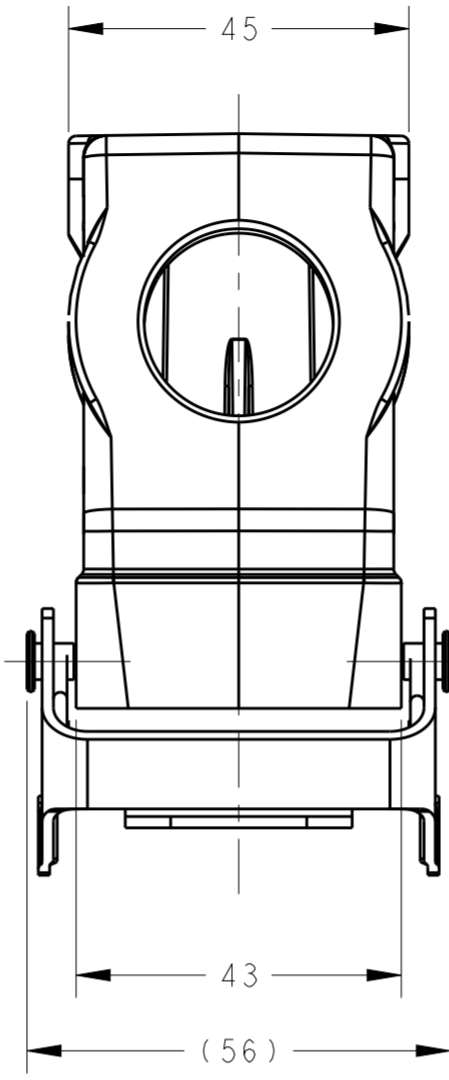
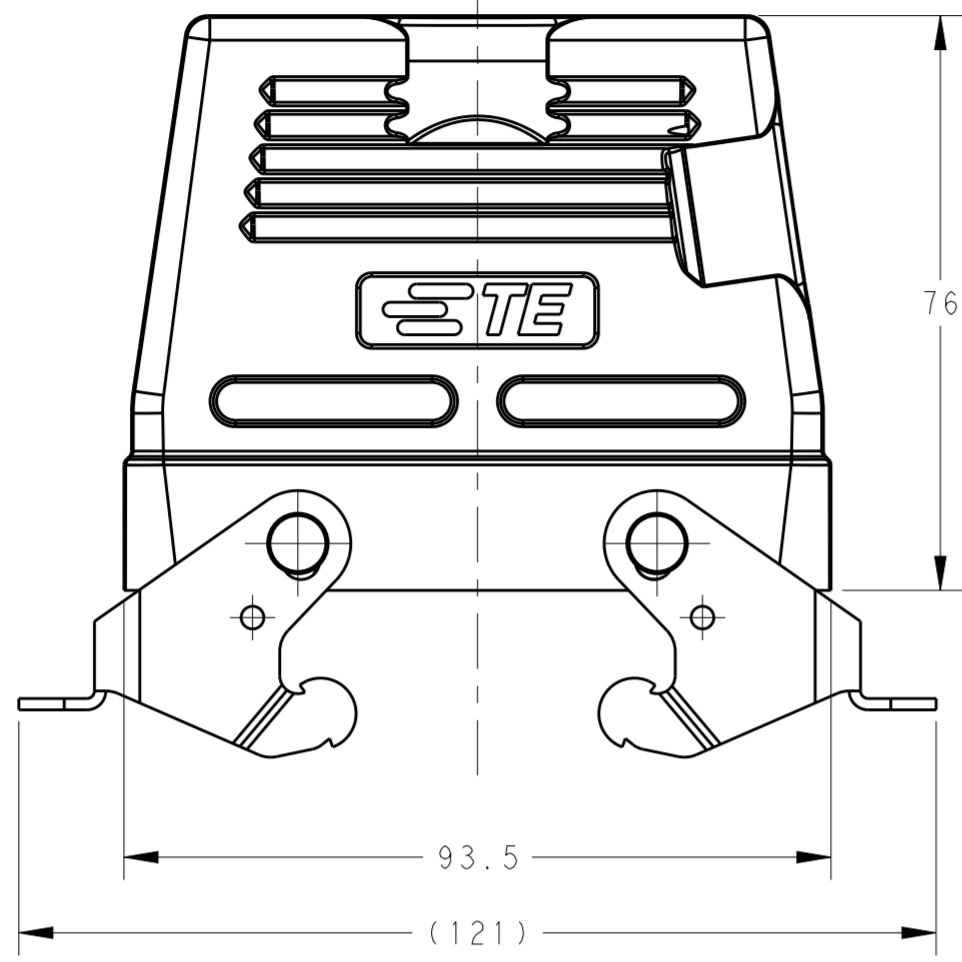
TYPE 2: LOW CONSTRUCTION, TOP ENTRY WITH STEEL LOCKING OTHER SPEC REFER TO TYPE 1

PART NUMBER	TYPE	DESCRIPTION	IG1	IG2
T1250162120-000	TYPE 1	H16B-TSB-M20	M20	-
T1250162121-000		H16B-TSB-PG21	PG21	-
T1250162125-000		H16B-TSB-M25	M25	-
T1250162132-000		H16B-TSB-M32	M32	-
T1260162121-000	TYPE 2	H16B-TGB-PG21	-	PG21
T1260162125-000		H16B-TGB-M25	-	M25
T1260162132-000		H16B-TGB-M32	-	M32

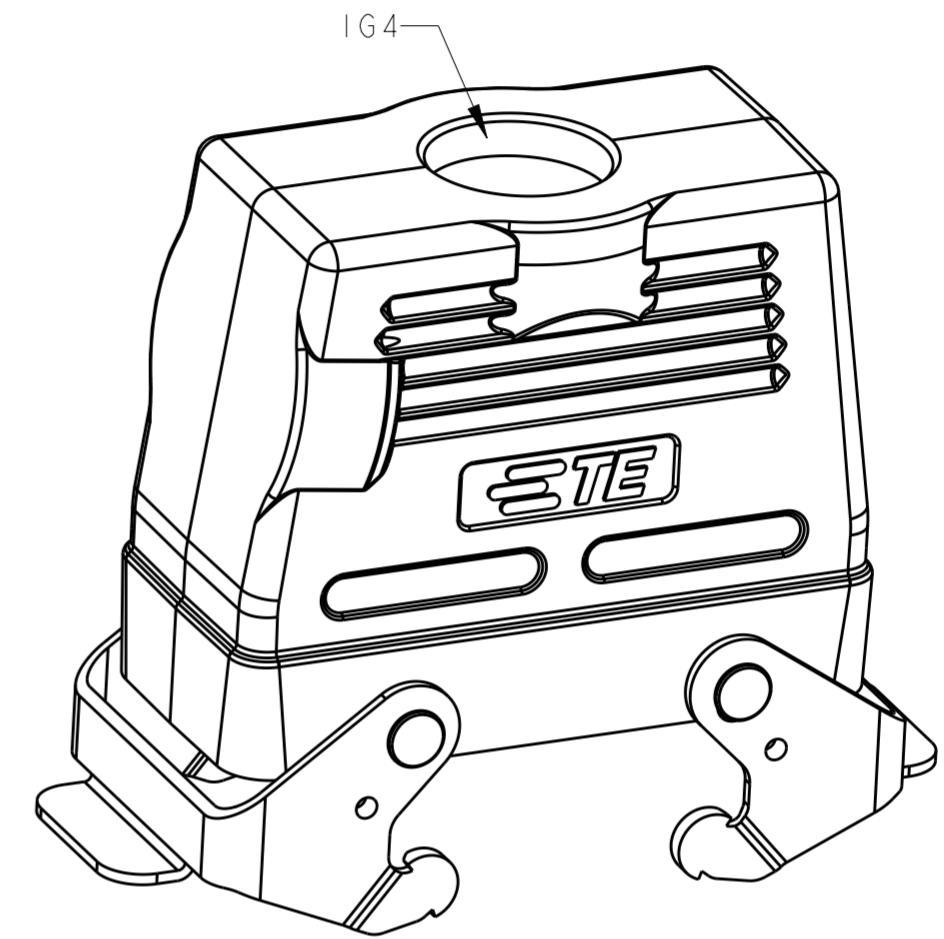
THIS DRAWING IS A CONTROLLED DOCUMENT.		DWN David Wang 29MAY2015	<b>STE</b> TE Connectivity	
		CHK Chris Wang 29MAY2015		
		APVD Xiang Xu 29MAY2015	NAME H16B-TSB/TGB/TSBH/TGBH-M/PG	
DIMENSIONS: mm		PRODUCT SPEC 108-137013	SIZE CAGE CODE DRAWING NO RESTRICTED TO	
TOLERANCES UNLESS OTHERWISE SPECIFIED:		APPLICATION SPEC 114-137013	A200779 C-T12X01621XX000	
MATERIAL		WEIGHT	SCALE 1:1 SHEET 1 OF 2 REV A	
		Customer Drawing		

THIS DRAWING IS UNPUBLISHED. RELEASED FOR PUBLICATION 20  
 © COPYRIGHT 20 BY - ALL RIGHTS RESERVED.

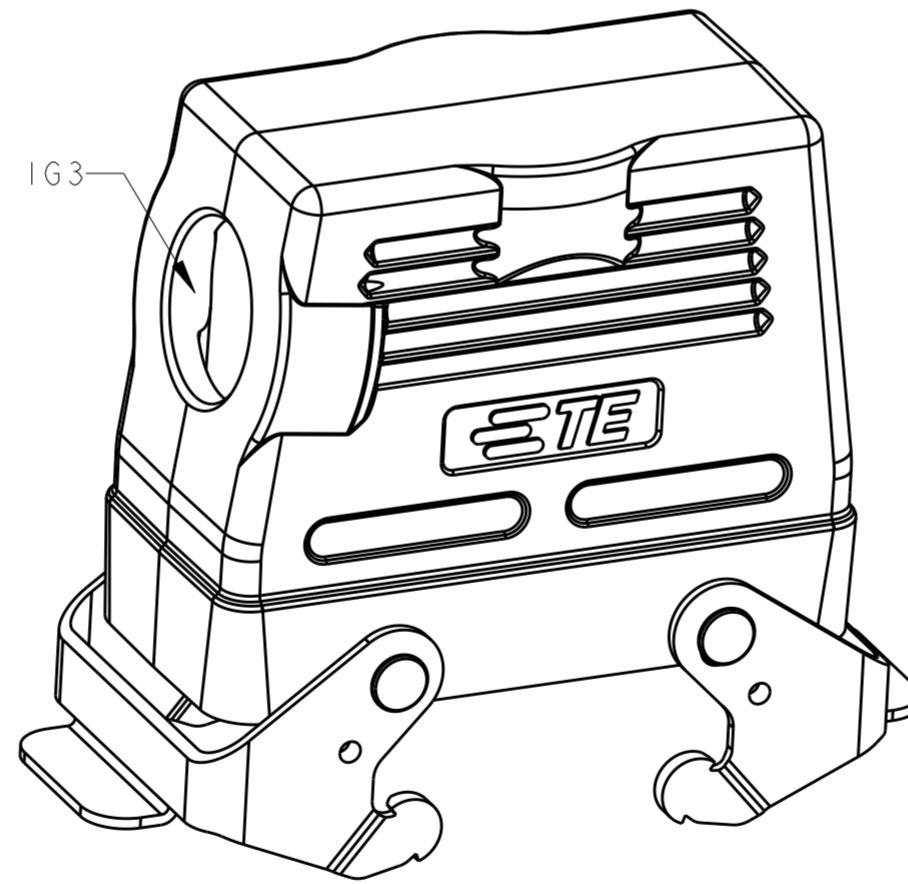
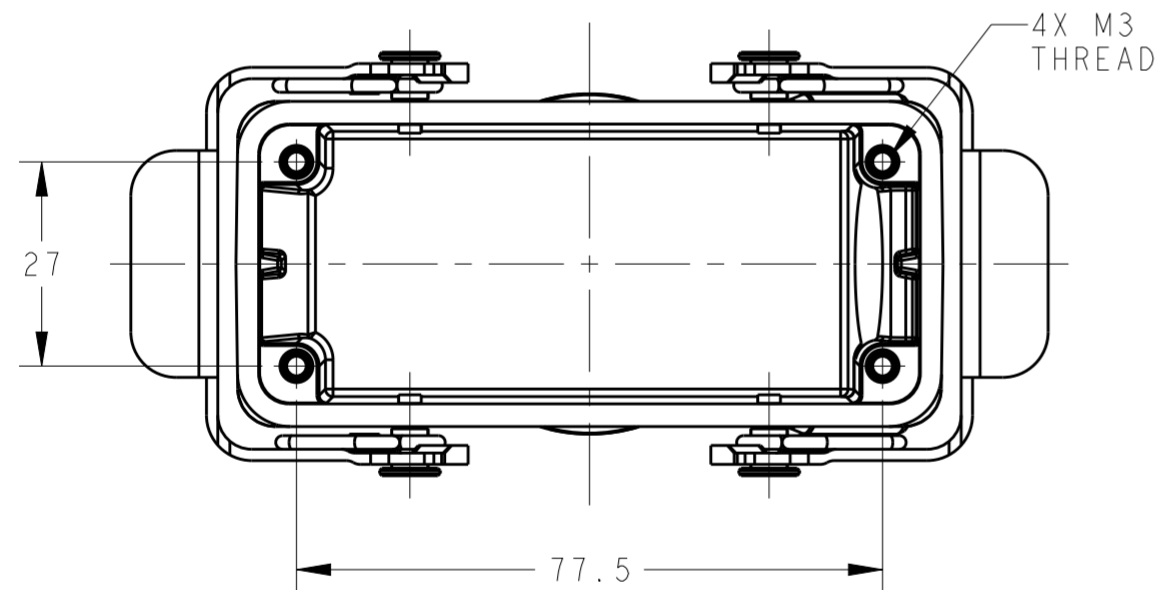
REVISIONS				
P	LTR	DESCRIPTION	DATE	APVD
	A	INITIAL	29MAY2015	DW CW



NOTES:  
SEE SHEET 1



TYPE 4: HIGH CONSTRUCTION, TOP ENTRY  
WITH STEEL LOCKING  
OTHER SPEC REFER TO TYPE 3



TYPE 3: HIGH CONSTRUCTION, SIDE ENTRY  
WITH STEEL LOCKING

T1270162121-000	TYPE 3	H16B-TSBH-PG21	PG21	-
T1270162125-000		H16B-TSBH-M25	M25	-
T1270162129-000		H16B-TSBH-PG29	PG29	-
T1270162132-000		H16B-TSBH-M32	M32	-
T1270162140-000		H16B-TSBH-M40	M40	-
T1280162121-000	TYPE 4	H16B-TGBH-PG21	-	PG21
T1280162125-000		H16B-TGBH-M25	-	M25
T1280162129-000		H16B-TGBH-PG29	-	PG29
T1280162132-000		H16B-TGBH-M32	-	M32
T1280162140-000		H16B-TGBH-M40	-	M40
PART NUMBER	TYPE	DESCRIPTION	IG3	IG4

THIS DRAWING IS A CONTROLLED DOCUMENT.		DWN David Wang 29MAY2015	<b>STC</b> TE Connectivity	
		CHK Chris Wang 29MAY2015		
		APVD Xiang Xu 29MAY2015	NAME H16B-TSB/TGB/TSBH/TGBH-M/PG	
DIMENSIONS: mm		PRODUCT SPEC 108-137013	SIZE CAGE CODE DRAWING NO RESTRICTED TO	
TOLERANCES UNLESS OTHERWISE SPECIFIED:		APPLICATION SPEC 114-137013	A200779 C-T12X01621XX000	
MATERIAL		WEIGHT	SCALE 1:1 SHEET 2 OF 2 REV A	
		Customer Drawing		