



Chipsmall Limited consists of a professional team with an average of over 10 year of expertise in the distribution of electronic components. Based in Hongkong, we have already established firm and mutual-benefit business relationships with customers from,Europe,America and south Asia,supplying obsolete and hard-to-find components to meet their specific needs.

With the principle of “Quality Parts,Customers Priority,Honest Operation,and Considerate Service”,our business mainly focus on the distribution of electronic components. Line cards we deal with include Microchip,ALPS,ROHM,Xilinx,Pulse,ON,Everlight and Freescale. Main products comprise IC,Modules,Potentiometer,IC Socket,Relay,Connector.Our parts cover such applications as commercial,industrial, and automotives areas.

We are looking forward to setting up business relationship with you and hope to provide you with the best service and solution. Let us make a better world for our industry!



## Contact us

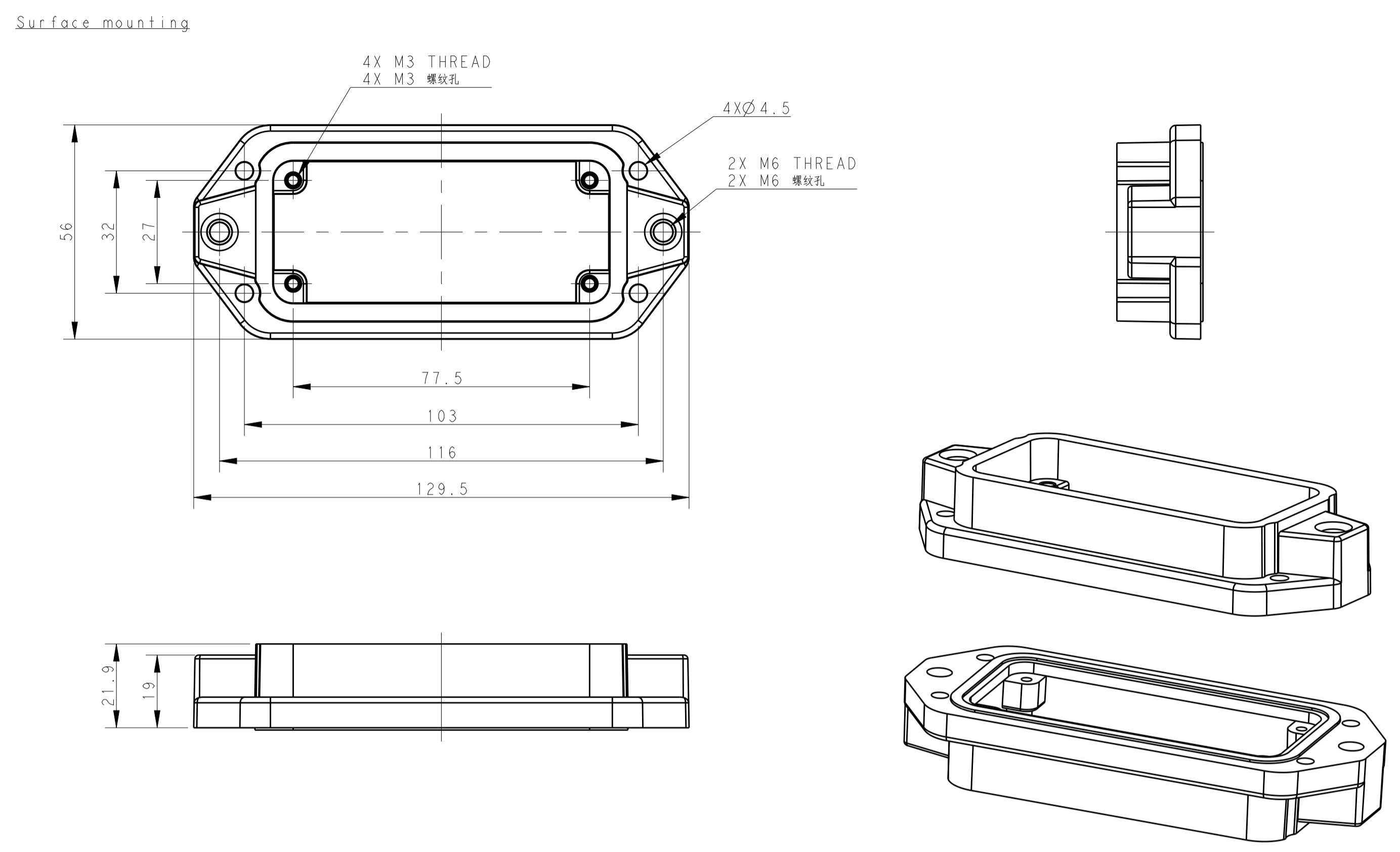
Tel: +86-755-8981 8866 Fax: +86-755-8427 6832

Email & Skype: info@chipsmall.com Web: www.chipsmall.com

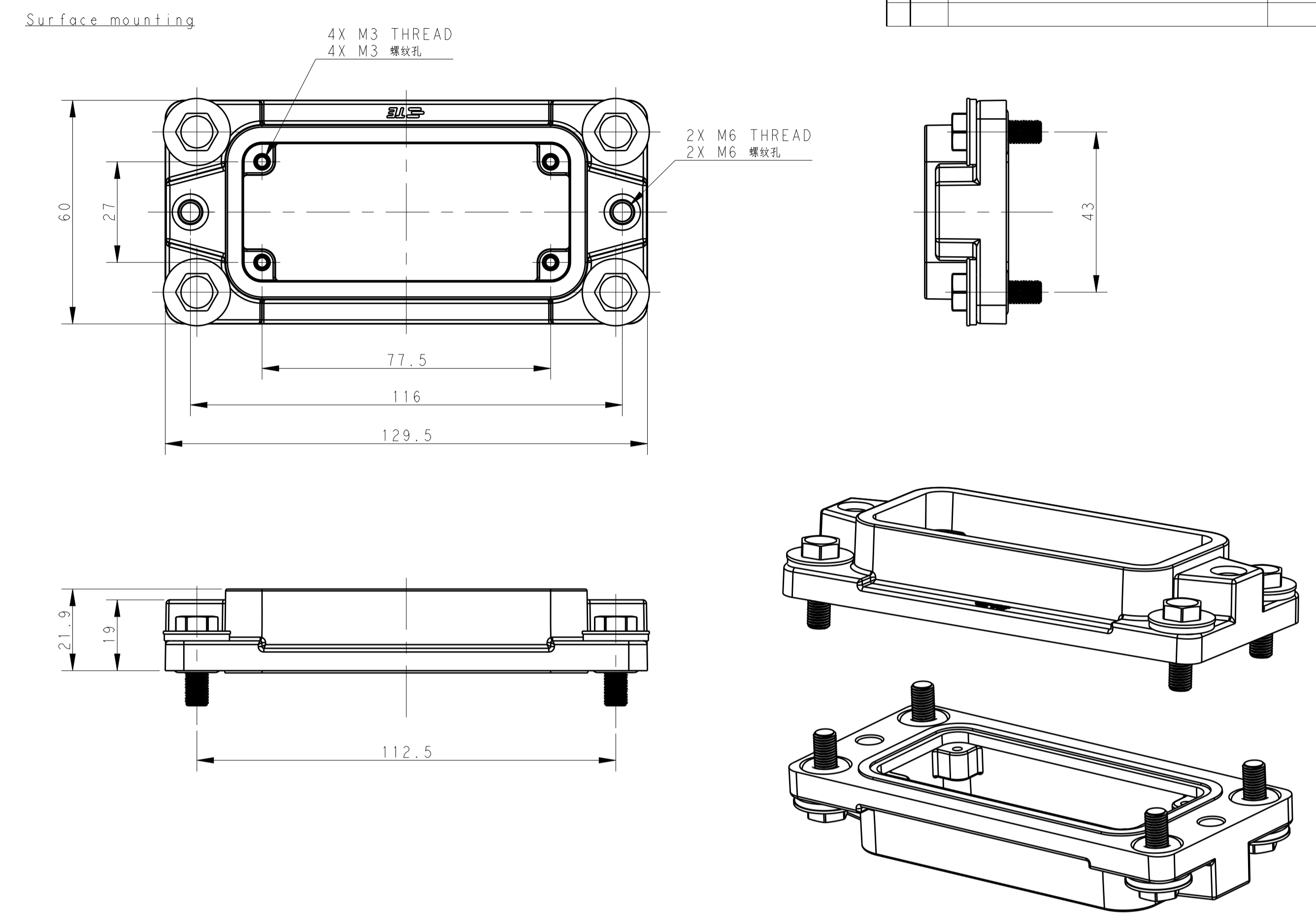
Address: A1208, Overseas Decoration Building, #122 Zhenhua RD., Futian, Shenzhen, China



# TYPE 1



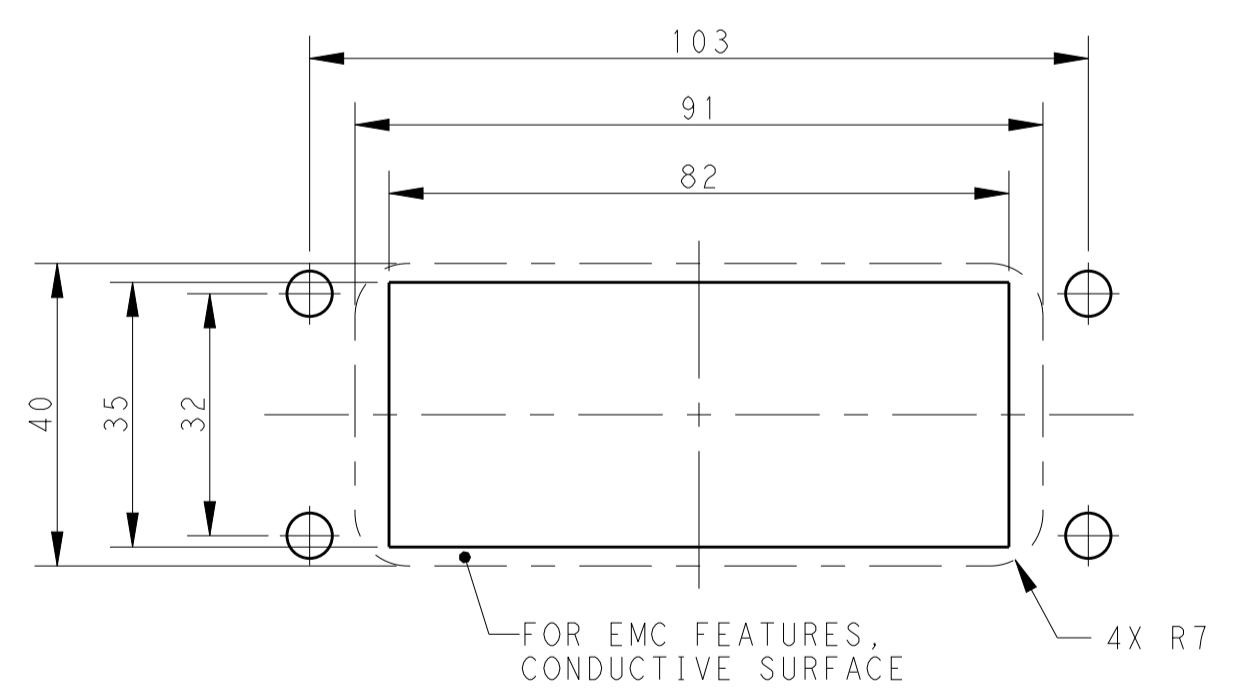
# TYPE 2



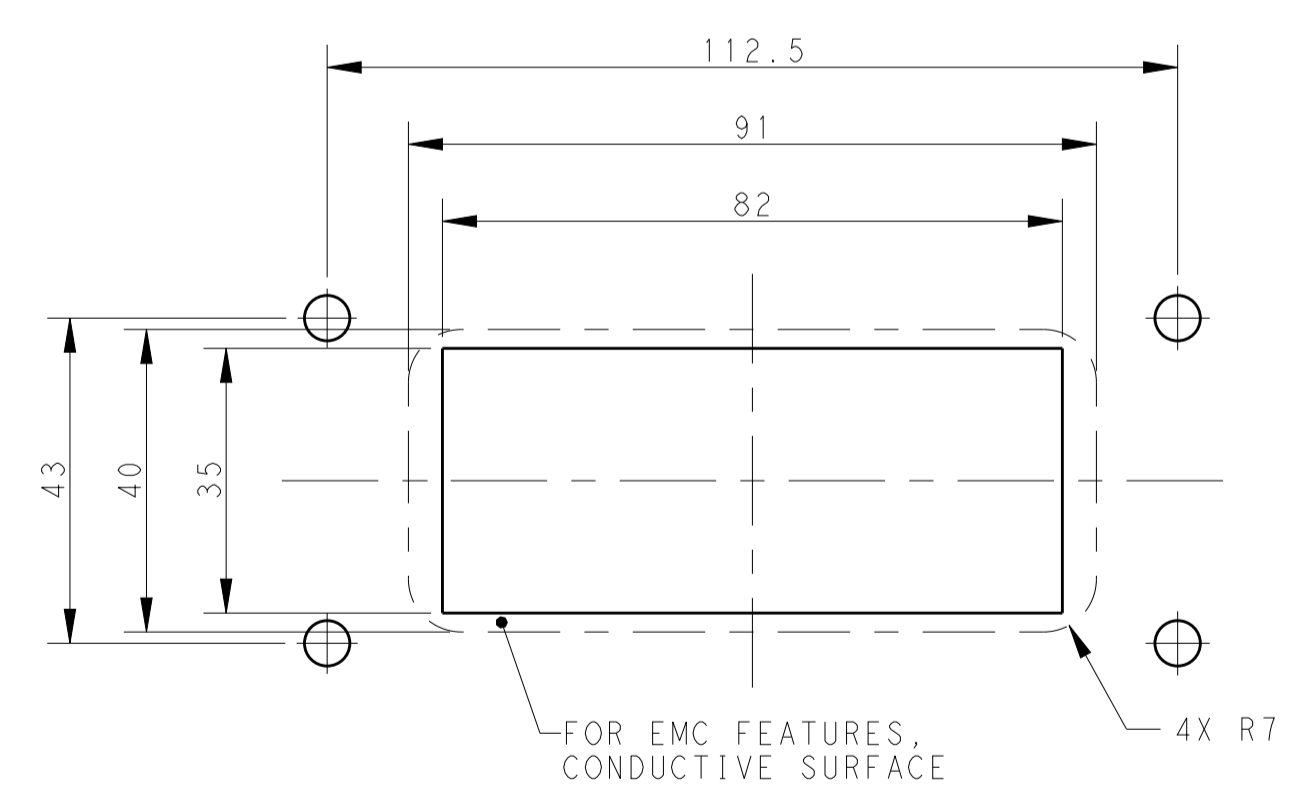
| REVISIONS |     |                 |           |       |
|-----------|-----|-----------------|-----------|-------|
| P.        | LTH | DESCRIPTION     | DATE      | APPV  |
| A         |     | INITIAL RELEASE | 08OCT2016 | DW CW |

NOTES:  
 1. TECHNICAL CHARACTERISTICS:  
 HOUSING MATERIAL: DIE CAST ALUMINIUM ALLOY  
 SURFACE: SEE TABLE  
 DEGREE OF PROTECTION: IP68 (MATED)

注释:  
 1. 技术参数:  
 壳体材料: 铝合金  
 表面处理: 见表格  
 防护等级: IP68 (配合)



Panel Cut Out Dimension For TYPE 1, Only for Reference  
 面板开口尺寸, 仅供参考



Panel Cut Out Dimension For TYPE 2, Only for Reference  
 面板开口尺寸, 仅供参考

| PART NUMBER     | DESCRIPTION  | TYPE          |
|-----------------|--|---------------|
| T1932160001-009 | H16BPR-AGCT-EMC-C<br>H16BPR HOUSING, CENTER LOCKING, BULKHEAD FLANGE MOUNTED, POWDER COATED, BLACK<br>H16BPR中部锁定面板型开孔下壳 黑色 | TYPE 2<br>类型2 |
| T1932162000-009 | H16BPR-AGC-EMC-C<br>H16BPR HOUSING, CENTER LOCKING, BULKHEAD MOUNTED, POWDER COATED, GREY<br>H16BPR中部锁定开孔下壳 灰色             | TYPE 1<br>类型1 |
| T1932161000-009 | H16BPR-AGC-EMC-C<br>H16BPR HOUSING, CENTER LOCKING, BULKHEAD MOUNTED, POWDER COATED, SILVER WHITE<br>H16BPR中部锁定开孔下壳 银白色    |               |
| T1932160000-009 | H16BPR-AGC-EMC-C<br>H16BPR HOUSING, CENTER LOCKING, BULKHEAD MOUNTED, POWDER COATED, BLACK<br>H16BPR中部锁定开孔下壳 黑色            | TYPE 1<br>类型1 |

THIS DRAWING IS A CONTROLLED DOCUMENT.

DAVID WANG 08OCT2016  
 CHRIS WANG 08OCT2016

DAVID WANG 08OCT2016  
 CHRIS WANG 08OCT2016

YIANG XU 08OCT2016

NAME: H16BPR-AGC/AGCT-EMC-C

PRODUCT SPEC: 108-137191  
 APPLICATION SPEC: 114-137191

SIZE: A1 CAGE CODE: T193216XXXXX09 DRAWING NO: 1 OF 1

Customer Drawing SCALE: 1:1 SHEET: 1 OF 1 REV: A