



Chipsmall Limited consists of a professional team with an average of over 10 year of expertise in the distribution of electronic components. Based in Hongkong, we have already established firm and mutual-benefit business relationships with customers from,Europe,America and south Asia,supplying obsolete and hard-to-find components to meet their specific needs.

With the principle of "Quality Parts,Customers Priority,Honest Operation,and Considerate Service",our business mainly focus on the distribution of electronic components. Line cards we deal with include Microchip,ALPS,ROHM,Xilinx,Pulse,ON,Everlight and Freescale. Main products comprise IC,Modules,Potentiometer,IC Socket,Relay,Connector.Our parts cover such applications as commercial,industrial, and automotives areas.

We are looking forward to setting up business relationship with you and hope to provide you with the best service and solution. Let us make a better world for our industry!



Contact us

Tel: +86-755-8981 8866 Fax: +86-755-8427 6832

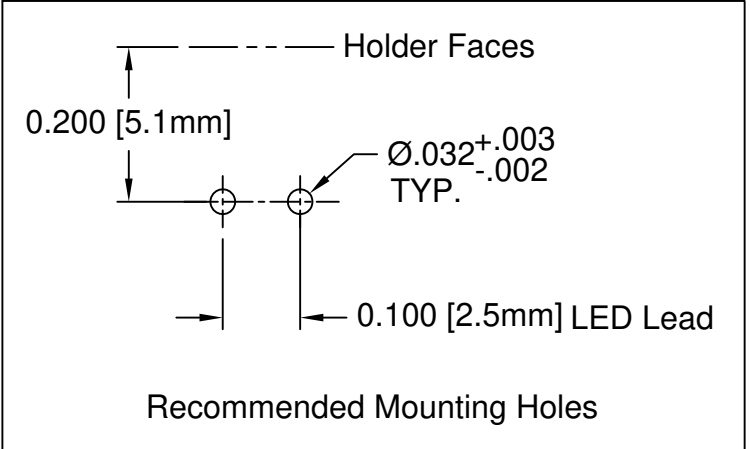
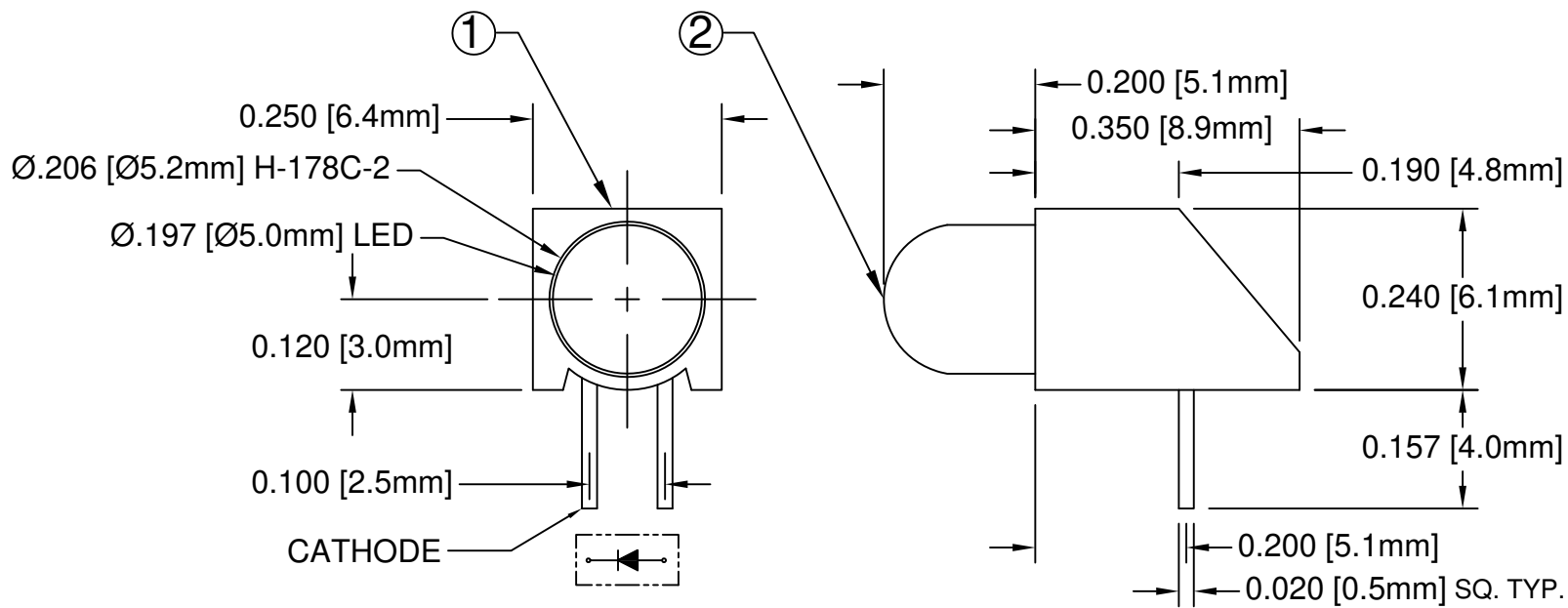
Email & Skype: info@chipsmall.com Web: www.chipsmall.com

Address: A1208, Overseas Decoration Building, #122 Zhenhua RD., Futian, Shenzhen, China



ITEM	Q'TY	PART NUMBER	PART DESCRIPTION
1	1	H-178C-2	T-1¼ (5mm) LED Holder, 90° Mount
2	1	5XX	T1 ¼ (5mm) Non-Flange LED, See Page 2

REV.	DESCRIPTION	DATE	APPROVED
A	Engineering Release	09/11/09	T. Y.
B	Engineering Update w/o Changes	06/20/16	J. C.



ABSOLUTE MAXIMUM RATINGS (Ta=25° C)

REVERSE VOLTAGE	_____	5V
REVERSE CURRENT	_____	100µA
OPERATING TEMPERATURE RANGE	_____	-25° C - 85° C
STORAGE TEMPERATURE	_____	-30° C - 100° C
LEAD SOLDERING TEMPERATURE (1/16" FROM BODY)	_____	260° C FOR 5 SECONDS


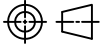
STANDARD TOLERANCE (UNLESS OTHERWISE SPECIFIED)	
DECIMALS	ANGULAR
.X ± .1	X° ± 1°
.XX ± .02	
.XXX ± .010	

BIVAR[®]
 4 THOMAS, IRVINE, CA. 92618
 TEL: (949) 951-8808 FAX: (949) 951-3974

DESIGNED: R. Paje	DATE: 09/11/09	TITLE: T1 ¼ (5mm) 90° SINGLE-LEVEL LED ASSY, REVERSE POLARITY PART NO: H178CXX-RP CAGE CODE : 32559 SHEET # 1 OF 2 <small>CAD GENERATED DOCUMENT. DO NOT MEASURE DRAWING.</small>	REVISION: B
CHECKED: T. Yin	DATE: 09/11/09		

REV.	DESCRIPTION	DATE	APPROVED
	SEE SHEET #1		

LED Assy. No.	Peak Wave Length λ_p (nm)	Emitted Color	Lens Appearance	Electro-Optical Data				Viewing Angle 2 θ 1/2 (Deg)	LED P/N
				If (mA)	Vf (V)		Iv (mcd)		
				TYP	TYP	MAX	TYP		
STANDARD				Data @ 20mA					
H178CBWD-RP	430	BLUE	DIFFUSED	20	4.0	4.5	15	45	5BWD
H178CGD-RP	568	GREEN	DIFFUSED	20	2.1	2.8	25	45	5GD
H178CSGD-RP	568	SUPER GREEN	DIFFUSED	20	2.1	2.8	30	45	5SGD
H178CUGC-RP	570	ULTRA GREEN	WATER CLEAR	20	2.1	2.4	600	35	5UGC
H178CSUGC-RP	570	ULTRA GREEN	WATER CLEAR	20	2.1	2.4	400	35	5SUGC
H178CYD-RP	590	YELLOW	DIFFUSED	20	2.0	2.8	25	45	5YD
H178CSYD-RP	590	SUPER YELLOW	DIFFUSED	20	2.0	2.4	300	45	5SYD
H178CAD-RP	605	AMBER	DIFFUSED	20	2.0	2.8	25	45	5AD
H178CHD-RP	625	HE RED	DIFFUSED	20	2.0	2.8	25	45	5HD
H178CRD-RP	700	RED	DIFFUSED	20	2.1	2.8	2	45	5RD
H178CSR-DP	645	SUPER RED	DIFFUSED	20	1.7	2.4	40	45	5SRD
LOW CURRENT				Data @ 2mA					
H178CGDL-RP	568	GREEN	DIFFUSED	2	2.1	2.6	5	45	5GDL
H178CYDL-RP	590	YELLOW	DIFFUSED	2	2.0	2.6	4	45	5YDL
H178CHDL-RP	625	HE RED	DIFFUSED	2	2.0	2.6	5	45	5HDL
5 VOLT				Data @ 5V					
H178CGD5V-RP	568	GREEN	DIFFUSED	10	-	5.0	25	45	5GD5V
H178CYD5V-RP	590	YELLOW	DIFFUSED	10	-	5.0	20	45	5YD5V
H178CHD5V-RP	625	HE RED	DIFFUSED	10	-	5.0	50	45	5HD5V

STANDARD TOLERANCE (UNLESS OTHERWISE SPECIFIED) DECIMALS ANGULAR		 BIVAR [®] 4 THOMAS, IRVINE, CA. 92618 TEL: (949) 951-8808 FAX: (949) 951-3974	
			
DESIGNED: R. Paje	DATE: 09/11/09	TITLE: T1 3/4 (5mm) 90° SINGLE-LEVEL LED ASSY, REVERSE POLARITY	
CHECKED: T. Yin	DATE: 09/11/09	PART NO: H178CXX-RP	REVISION: B
		CAGE CODE : 32559	SHEET # 2 OF 2
CAD GENERATED DOCUMENT. DO NOT MEASURE DRAWING.			