



Chipsmall Limited consists of a professional team with an average of over 10 year of expertise in the distribution of electronic components. Based in Hongkong, we have already established firm and mutual-benefit business relationships with customers from,Europe,America and south Asia,supplying obsolete and hard-to-find components to meet their specific needs.

With the principle of “Quality Parts,Customers Priority,Honest Operation,and Considerate Service”,our business mainly focus on the distribution of electronic components. Line cards we deal with include Microchip,ALPS,ROHM,Xilinx,Pulse,ON,Everlight and Freescale. Main products comprise IC,Modules,Potentiometer,IC Socket,Relay,Connector.Our parts cover such applications as commercial,industrial, and automotives areas.

We are looking forward to setting up business relationship with you and hope to provide you with the best service and solution. Let us make a better world for our industry!



Contact us

Tel: +86-755-8981 8866 Fax: +86-755-8427 6832

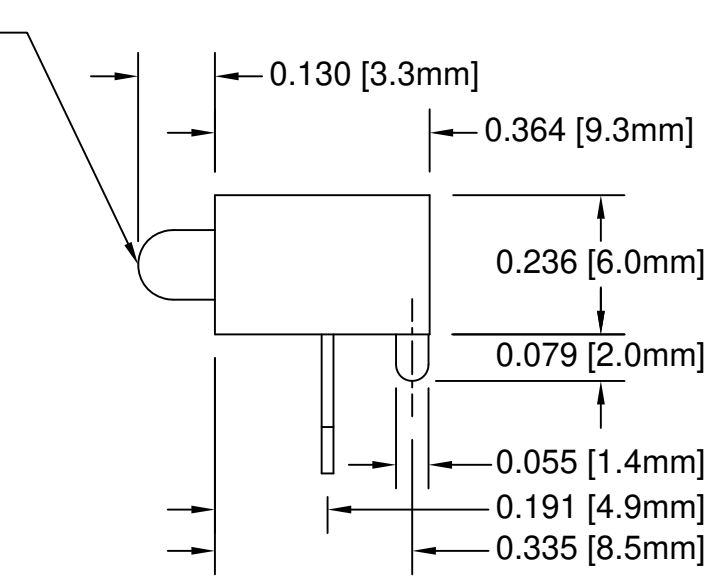
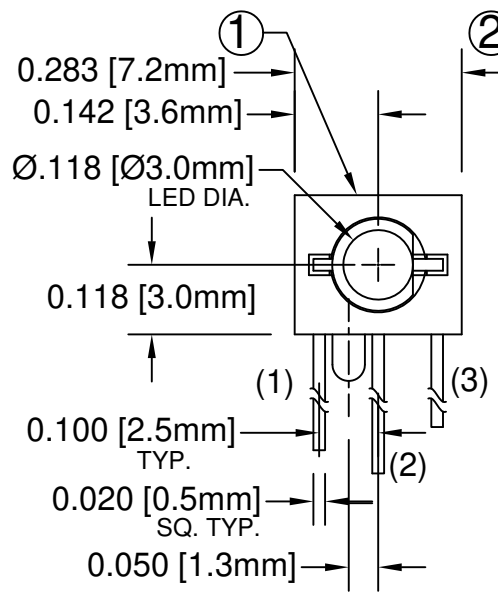
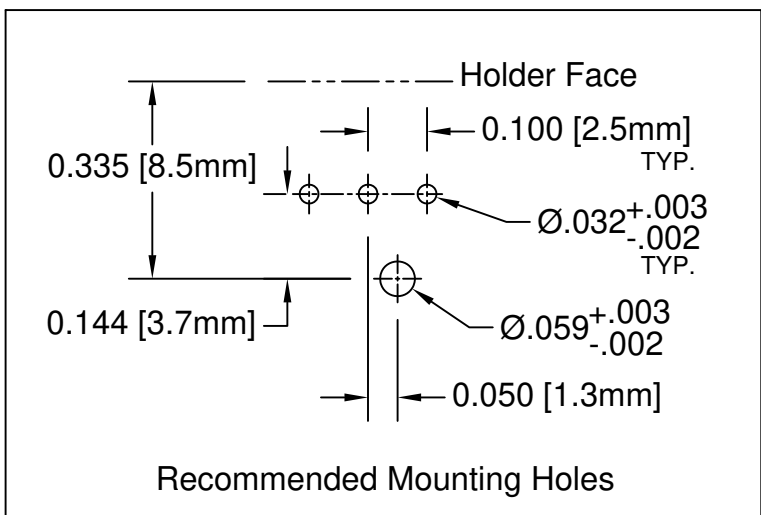
Email & Skype: info@chipsmall.com Web: www.chipsmall.com

Address: A1208, Overseas Decoration Building, #122 Zhenhua RD., Futian, Shenzhen, China

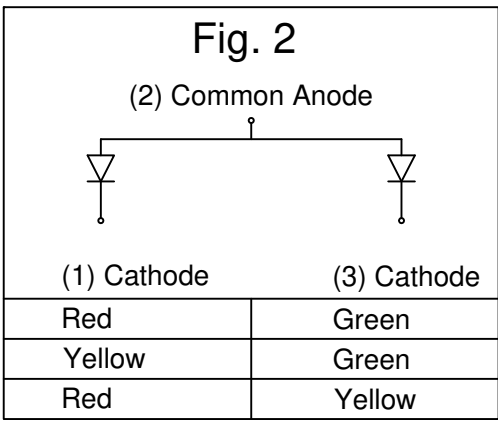
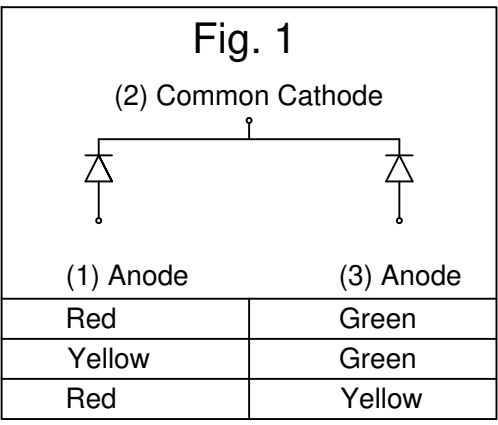


ITEM	Q'TY	PART NUMBER	PART DESCRIPTION
1	1	H-180C-LP	T-1 (3mm) Bi-Level Tri-Lead LED Holder, 90° Mount
2	1	3BC-3-XXXX-F	T-1 (3mm) Bi-Color/Tri-Color Flanged LED, See Page 2

REV.	DESCRIPTION	DATE	APPROVED
C	Engineering Update w/o Changes	03/05/04	M. C.
D	Added Uncut Leads	10/06/06	M. C.
E	Updated Recommended Mounting Holes	07/01/08	M. C.
F	Engineering Update w/o Changes	06/20/16	J. C.



*Note: Leads are Uncut




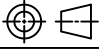
ABSOLUTE MAXIMUM RATINGS (Ta=25° C)

REVERSE VOLTAGE _____	5V
REVERSE CURRENT _____	100uA
OPERATING TEMPERATURE RANGE _____	-25° C - 85° C
STORAGE TEMPERATURE _____	-30° C - 100° C
LEAD SOLDERING TEMPERATURE(1/16" FROM BODY) _____	260° C FOR 5 SECONDS

STANDARD TOLERANCE (UNLESS OTHERWISE SPECIFIED)		 4 THOMAS, IRVINE, CA. 92618 TEL: (949) 951-8808 FAX: (949) 951-3974	
DECIMALS	ANGULAR		
.X ± .1	X° ± 1°		
.XX ± .02		 TITLE: T-1 (3MM) BI-COLOR 3 LEAD 90° SINGLE-LEVEL LED LOCATOR PIN ASSY	
.XXX ± .010			REVISION: F
DESIGNED: D. Green	DATE: 09/16/03	PART NO: H180CBC-LP-XX	
CHECKED: M. Chen	DATE: 09/16/03	CAGE CODE : 32559 SHEET # 1 OF 2	
CAD GENERATED DOCUMENT. DO NOT MEASURE DRAWING.			

REV.	DESCRIPTION	DATE	APPROVED
	SEE SHEET #1		

LED Assy. No.	Peak Wave Length λ_p (nm)	Emitted Color	Lens Appearance	Abs. Max. Rating	Electro-Optical Data @ 20m A			Viewing Angle $2\theta \frac{1}{2}$ (Deg)	LED P/N	
					If (mA)	Vf (V)				Iv (mcd)
						TYP	MAX			TYP
H180CBC-LP (Fig. 1)	635	HE RED	WHITE DIFFUSED	30	2.0	2.6	35	40	3BC-3-F	
	568	GREEN		30	2.2	2.6	35			
H180CBC-LP-Y/G (Fig. 1)	585	YELLOW	WHITE DIFFUSED	30	2.1	2.6	30	40	3BC-3-Y/G-F	
	568	GREEN		30	2.2	2.6	35			
H180CBC-LP-CA (Fig. 2)	635	HE RED	WHITE DIFFUSED	30	2.0	2.6	35	40	3BC-3-CA-F	
	568	GREEN		30	2.2	2.6	35			
H180CBC-LP-Y/G-CA (Fig. 2)	585	YELLOW	WHITE DIFFUSED	30	2.1	2.6	30	40	3BC-3-Y/G-CA-F	
	568	GREEN		30	2.2	2.6	35			

STANDARD TOLERANCE (UNLESS OTHERWISE SPECIFIED) $\pm 10\%$ ALL VALUES ANGULAR		 4 THOMAS, IRVINE, CA. 92618 TEL: (949) 951-8808 FAX: (949) 951-3974	
		 TITLE: T-1 (3MM) BI-COLOR 3 LEAD 90° SINGLE-LEVEL LED LOCATOR PIN ASSY	
DESIGNED: D. Green	DATE: 09/16/03	PART NO: H180CBC-LP-XX	REVISION: F
CHECKED: M. Chen	DATE: 09/16/03	CAGE CODE : 32559	SHEET # 2 OF 2
CAD GENERATED DOCUMENT. DO NOT MEASURE DRAWING.			