



Chipsmall Limited consists of a professional team with an average of over 10 year of expertise in the distribution of electronic components. Based in Hongkong, we have already established firm and mutual-benefit business relationships with customers from,Europe,America and south Asia,supplying obsolete and hard-to-find components to meet their specific needs.

With the principle of “Quality Parts,Customers Priority,Honest Operation,and Considerate Service”,our business mainly focus on the distribution of electronic components. Line cards we deal with include Microchip,ALPS,ROHM,Xilinx,Pulse,ON,Everlight and Freescale. Main products comprise IC,Modules,Potentiometer,IC Socket,Relay,Connector.Our parts cover such applications as commercial,industrial, and automotives areas.

We are looking forward to setting up business relationship with you and hope to provide you with the best service and solution. Let us make a better world for our industry!



## Contact us

Tel: +86-755-8981 8866 Fax: +86-755-8427 6832

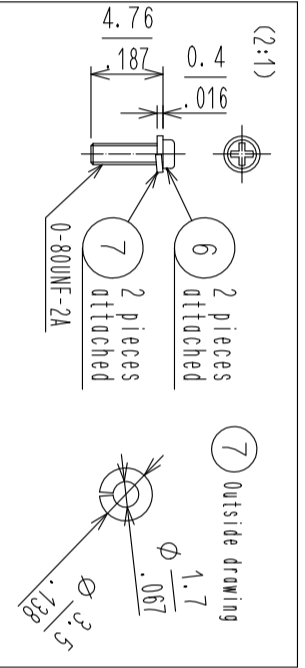
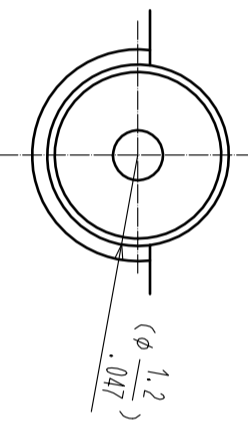
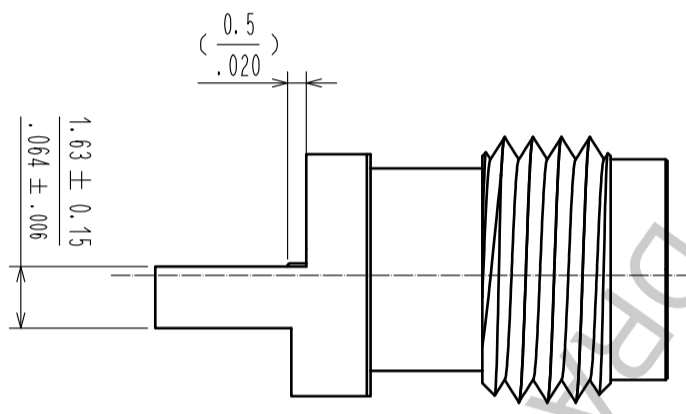
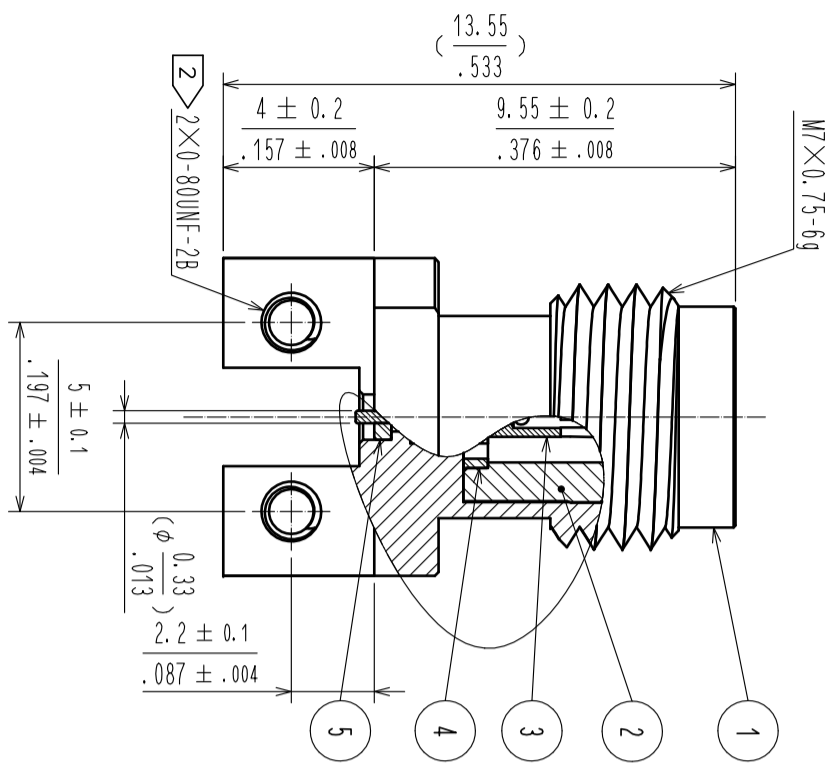
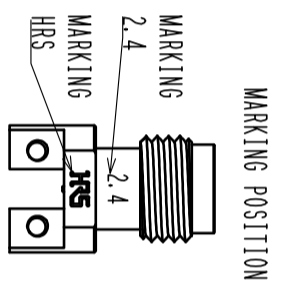
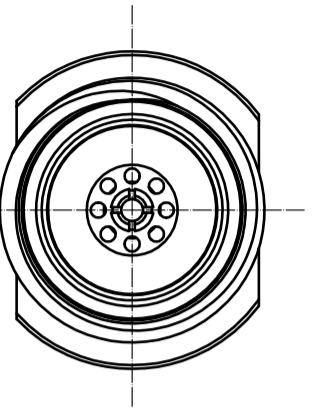
Email & Skype: info@chipsmall.com Web: www.chipsmall.com

Address: A1208, Overseas Decoration Building, #122 Zhenhua RD., Futian, Shenzhen, China



In case that the application demands a high level of reliability, such as automotive, please contact a company representative for further information.

Attachment: Unified screw thread 0-80UNF 3/16inch

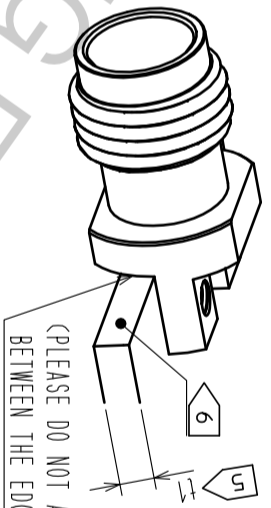


NOTES

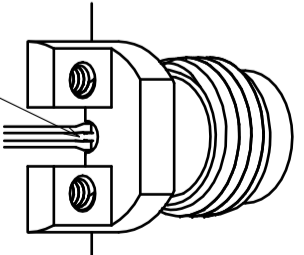
- ① WHEN MATING THE CONNECTOR, PLEASE HOLD MILLING AREA OF 6.4±0.2 WITH A WRENCH.
- ② 0-80UNF-2B SCREW TIGHTENING TORQUE IS 0.09 N · m. PLEASE TIGHTEN THE SCREWS EVENLY WHEN MOUNTING THE CONNECTORS TO ENSURE STABLE ELECTRICAL CONTACT.
- ③ PLEASE USE A PCB MOUNTING SCREW OF THE LENGTH OF L(mm). THE LENGTH OF L(mm) IS PCB THICKNESS t1(mm) + SPRING WASHER THICKNESS t2(mm) + 1.8(mm). PLEASE USE A SCREW WITH SPRING WASHER.
- ④ THE INDICATED DIMENSION IS THE CASE OF WHICH DIELECTRIC CONSTANT OF SUBSTRATE IS 3.35 AND THICKNESS IS t=0.2mm. LAND PATTERN LAYOUT DEPENDS ALSO ON ELECTRIC CONSTANT, THICKNESS AND LAYER CONSTRUCTION OF PCB. FOR BETTER PERFORMANCE, SIMULATION OF PCB WITH CONNECTOR IS RECOMMENDED.
- ⑤ RECOMMENDED PCB THICKNESS t1 IS GREATER THAN 1.0mm.
- ⑥ SIDE PLATING OF THE BOARD IS RECOMMENDED.
- ⑦ THIS CONNECTOR SHOULD BE USE FOR TEST PORT ONLY.

MOUNTING OF CONNECTOR

- ( 1 ) WHEN THE CONNECTOR IS MOUNTED ON PCB, PLEASE DO NOT ALLOW A GAP BETWEEN THE EDGE OF PCB AND CONNECTOR.
- ( 2 ) PLEASE MOUNT THE CONNECTOR AS LOCATED IN THE MIDDLE OF THE SIGNAL PAD OF PCB.
- ( 3 ) SOLDERING CONDITIONS:(OPTIONAL:IT'S POSSIBLE TO USE WITHOUT SOLDERING) FOR THE MANUAL SOLDERING, SOLDERING IRON BIT TEMPERATURE IS 380°C MAX. FOR 5 SECONDS MAX.



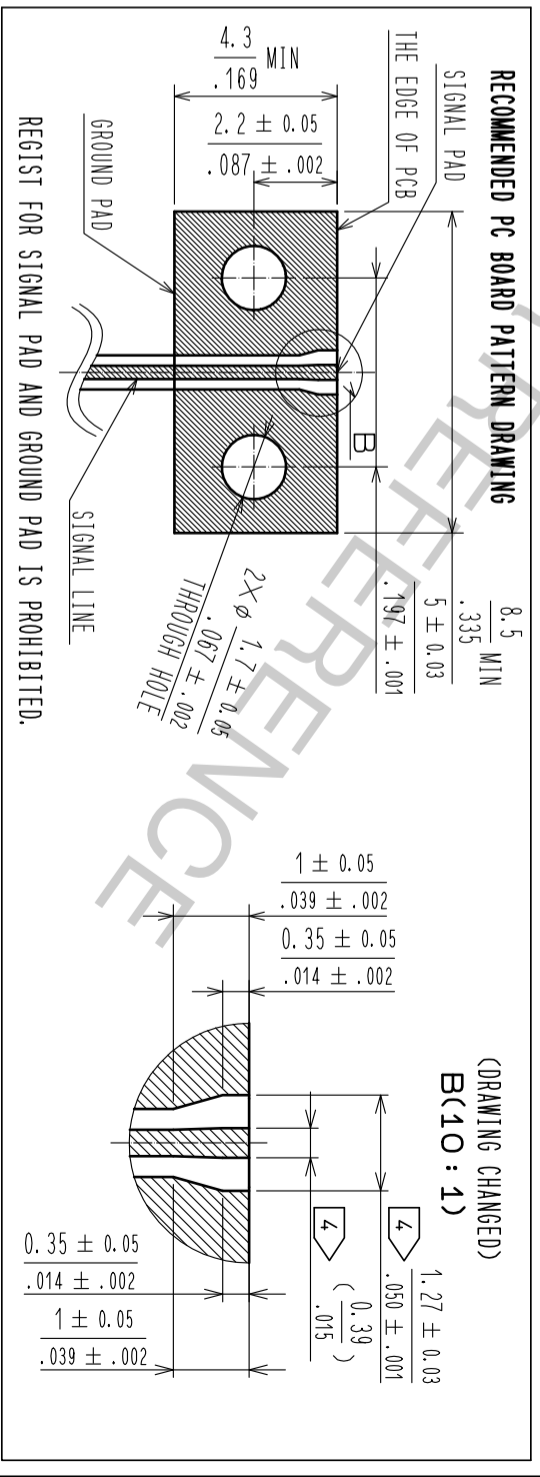
(PLEASE DO NOT ALLOW A GAP BETWEEN THE EDGE OF PCB AND CONNECTOR.)



③ 0-80UNF-2A OUTSIDE DRAWING

(PLEASE MOUNT THE CONNECTOR AS LOCATED IN THE MIDDLE OF THE SIGNAL PAD OF PCB.)

RECOMMENDED PC BOARD PATTERN DRAWING



REGIST FOR SIGNAL PAD AND GROUND PAD IS PROHIBITED.

NO.	MATERIAL	FINISH	REMARKS	NO.	MATERIAL	FINISH	REMARKS
1	BRASS	NICKEL PLATING		4	POLYETHER IMIDE		
2	STAINLESS STEEL	PASSIVATE		5	POLYETHER IMIDE		
3	BERYLLIUM COPPER	GOLD PLATING		6	STEEL		Spring washer
				7	STAINLESS STEEL		0-80UNF-2A Screw

UNITS [mm/in]	SCALE	COUNT	DESCRIPTION OF REVISIONS	DESIGNED	CHECKED	DATE
	5 : 1	1	DIS-D-00003223	DS. YAMAKOSHI	NK. NIIMIYA	18.06.19

APPROVED	CHECKED	DESIGNED	DRAWING
KH. IKEDA	TS. NOBE	TP. MATSUMOTO	EDC-368795-12-01

DRAWN	PART NO.	CODE
TP. MATSUMOTO	H2.4-LR-SR2(12)	C1338-0603-0-12



HIROSE ELECTRIC CO., LTD.