



Chipsmall Limited consists of a professional team with an average of over 10 year of expertise in the distribution of electronic components. Based in Hongkong, we have already established firm and mutual-benefit business relationships with customers from,Europe,America and south Asia,supplying obsolete and hard-to-find components to meet their specific needs.

With the principle of “Quality Parts,Customers Priority,Honest Operation,and Considerate Service”,our business mainly focus on the distribution of electronic components. Line cards we deal with include Microchip,ALPS,ROHM,Xilinx,Pulse,ON,Everlight and Freescale. Main products comprise IC,Modules,Potentiometer,IC Socket,Relay,Connector.Our parts cover such applications as commercial,industrial, and automotives areas.

We are looking forward to setting up business relationship with you and hope to provide you with the best service and solution. Let us make a better world for our industry!



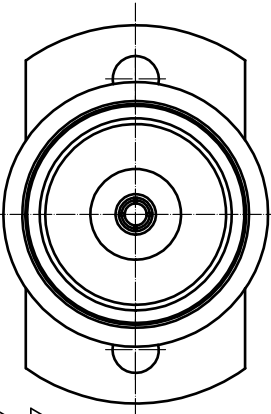
Contact us

Tel: +86-755-8981 8866 Fax: +86-755-8427 6832

Email & Skype: info@chipsmall.com Web: www.chipsmall.com

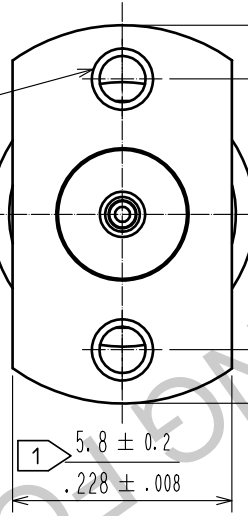
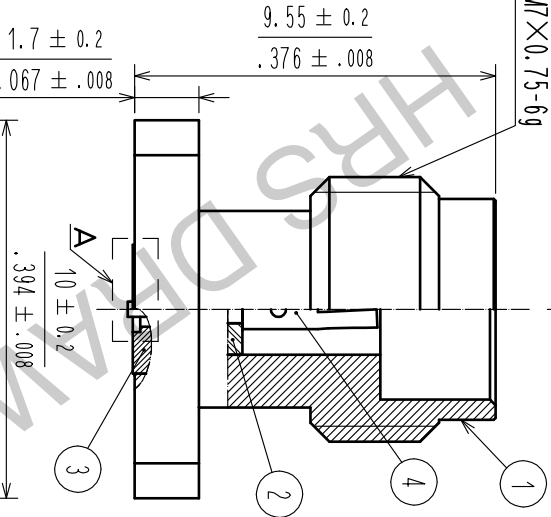
Address: A1208, Overseas Decoration Building, #122 Zhenhua RD., Futian, Shenzhen, China





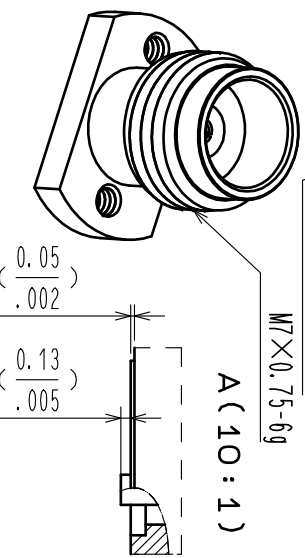
- ① WHEN MATING THE CONNECTOR, PLEASE HOLD THE FRAISE WITH SPANNER NOT TO PLACE STRESS ON PCB BY THE TORQUE.
- ② 0-80UNF-28 SCREW TIGHTENING TORQUE IS 0.09N·m.
- ③ PLEASE USE ATTACHED SCREW AND WASHER FOR PCB MOUNTING. ATTACHED SCREW AND WASHER APPLY PCB THICKNESS t1=2.4 TO 4.25mm.
- ④ RESIST OF INSIDE OF $\phi 4.6$ MIN (GROUND PAD) IS PROHIBITED.
- △5. THIS CONNECTOR SHOULD BE USE FOR TEST PORT ONLY.
- △6. THIS CONNECTOR IS OPTIMIZED FOR IMPEDANCE 42.5Ω SIGNAL LINE.

M7×0.75-6g

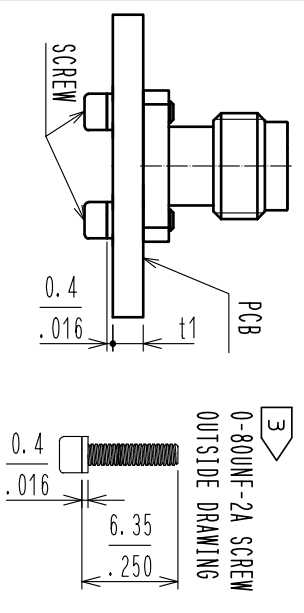


② 2×0-80UNF-28

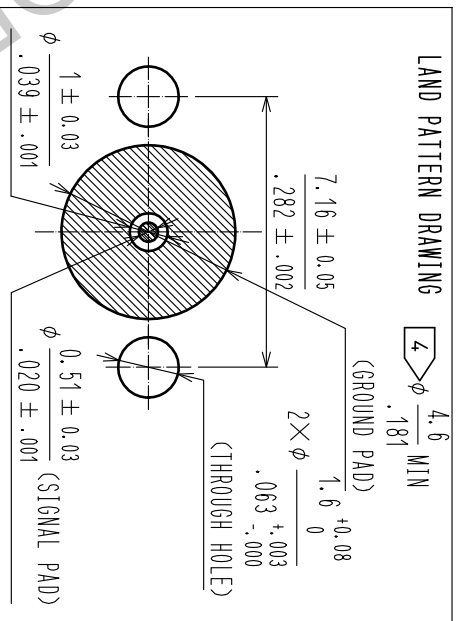
A (10:1)



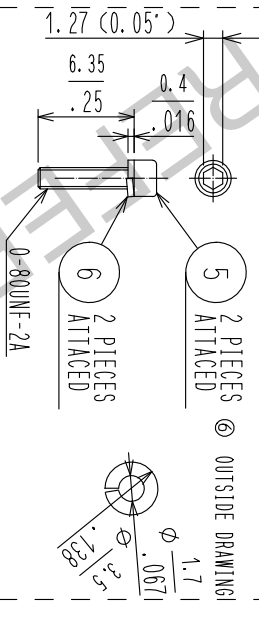
MOUNTING DRAWING(2:1)



LAND PATTERN DRAWING



DRAWING OF SOCKET HEAD CAP SCREW (2:1)



ROHS COMPLIANT

3	STAINLESS STEEL	GOLD PLATING	6	STAINLESS STEEL (SPRING WASHER)	
2	PTFE		5	STEEL (0-80UNF-2A SCREW)	
1	STAINLESS STEEL	PASSIVATE	4	BERYLLIUM COPPER GOLD PLATING	
NO.	MATERIAL	FINISH . REMARKS	NO.	MATERIAL	FINISH . REMARKS

UNITS [mm/in.]	SCALE	COUNT	DESCRIPTION OF REVISIONS	DESIGNED	CHECKED	DATE
	5 : 1	2	DIS-D-00001726	TP.MATSUMOTO	TS.NOBE	16.12.08
APPROVED : KY. SHIMITSU			16.08.30	DRAWING NO. EDC-368164-16-01		
CHECKED : TO. KATAYAMA			16.08.30	PART NO. H2.4-R-SR2-IN(16)		
DESIGNED : TP. MATSUMOTO			16.08.29	CODE NO. CL338-0602-0-16		
DRAWN : TP. MATSUMOTO			16.08.29	A 1		