



Chipsmall Limited consists of a professional team with an average of over 10 year of expertise in the distribution of electronic components. Based in Hongkong, we have already established firm and mutual-benefit business relationships with customers from,Europe,America and south Asia,supplying obsolete and hard-to-find components to meet their specific needs.

With the principle of “Quality Parts,Customers Priority,Honest Operation,and Considerate Service”,our business mainly focus on the distribution of electronic components. Line cards we deal with include Microchip,ALPS,ROHM,Xilinx,Pulse,ON,Everlight and Freescale. Main products comprise IC,Modules,Potentiometer,IC Socket,Relay,Connector.Our parts cover such applications as commercial,industrial, and automotives areas.

We are looking forward to setting up business relationship with you and hope to provide you with the best service and solution. Let us make a better world for our industry!



Contact us

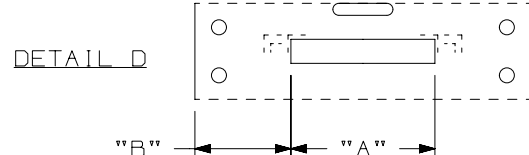
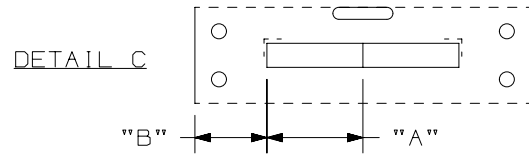
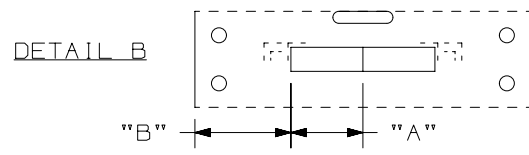
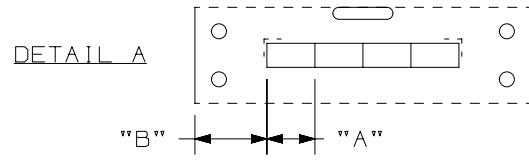
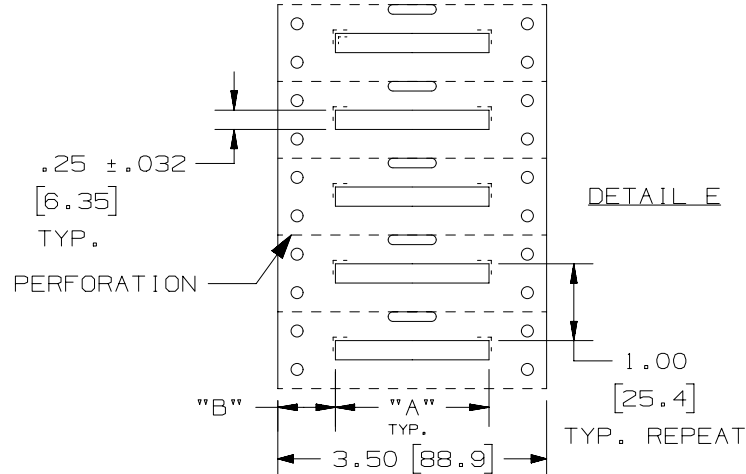
Tel: +86-755-8981 8866 Fax: +86-755-8427 6832

Email & Skype: info@chipsmall.com Web: www.chipsmall.com

Address: A1208, Overseas Decoration Building, #122 Zhenhua RD., Futian, Shenzhen, China

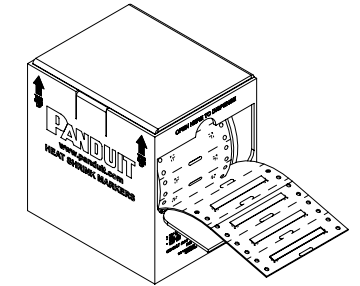


THIS COPY IS PROVIDED ON A RESTRICTED BASIS AND IS NOT TO BE USED IN ANY WAY DETRIMENTAL TO THE INTERESTS OF PANDUIT CORP.

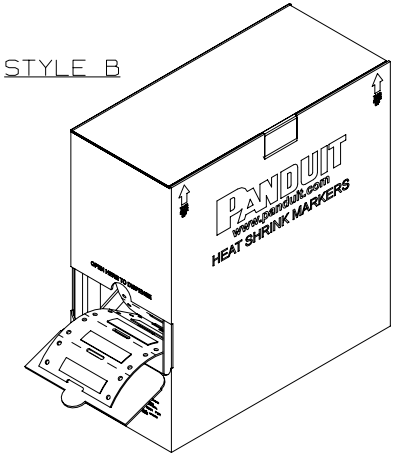


NOTE:
1. DIMENSIONS IN [] ARE IN MILLIMETERS.

STYLE A



STYLE B



PART NUMBER	SEE DETAIL	"A" +/- .062	"B"	MARKER ACROSS	TUBING COLOR	SEE STYLE	MARKERS PER ROLL
H050X025H1T	A	0.50 [12.70]	.75 [19.1]	4	WHITE	A	2000
H075X025H1T	B	0.75 [19.05]	1.00 [25.4]	2			1000
H100X025H1T	C	1.00 [25.40]	.75 [19.1]	2			1000
H150X025H1T	D	1.50 [38.10]	1.00 [25.4]	1	YELLOW	A	500
H200X025H1T	E	2.00 [50.80]	.75 [19.1]	1			500
H050X025H2T	A	0.50 [12.70]	.75 [19.1]	4			2000
H075X025H2T	B	0.75 [19.05]	1.00 [25.4]	2	BLACK	A	1000
H100X025H2T	C	1.00 [25.40]	.75 [19.1]	2			1000
H150X025H2T	D	1.50 [38.10]	1.00 [25.4]	1			500
H200X025H2T	E	2.00 [50.80]	.75 [19.1]	1	RED	A	500
H050X025H3T	A	0.50 [12.70]	.75 [19.1]	4			2000
H075X025H3T	B	0.75 [19.05]	1.00 [25.4]	2			1000
H100X025H3T	C	1.00 [25.40]	.75 [19.1]	2	WHITE	B	1000
H150X025H3T	D	1.50 [38.10]	1.00 [25.4]	1			500
H200X025H3T	E	2.00 [50.80]	.75 [19.1]	1			500
H050X025H1T-B	A	0.50 [12.70]	.75 [19.1]	4	WHITE	B	10000
H075X025H1T-B	B	0.75 [19.05]	1.00 [25.4]	2			5000
H100X025H1T-B	C	1.00 [25.40]	.75 [19.1]	2			5000
H150X025H1T-B	D	1.50 [38.10]	1.00 [25.4]	1			2500
H200X025H1T-B	E	2.00 [50.80]	.75 [19.1]	1		2500	

9

REV	DATE	BY	CHK	APR	DESCRIPTION	ECN
9	4/28/15	RVU	SEWH	JHAC	ADD NEW COLUMN OF MARKERS PER ROLL.	GAECN02781
8	1/19/15	RVU	SEWH	MSAD	REVISED TO CURRENT PANDUIT LOGO.	GAECN02539
7	4/12/12	RVU			REVISED H150 PARTS TO SHOW ALL MARKERS ARE ONLY 1.5" LONG.	6731
6	5/21/09	RVU			+/- .12, +/- .062, +/- .020 WAS +/- .03, +/- .032, +/- .010. HT: .25 +/- .032 WAS .250. MAT'L, HSK TUBING GMUHS31, 3.5 WIDE LINER WAS GMUHS. ADD "A" +/- .062. ADD STYLE B VIEW FOR BULK BOX. UPDATE VIEWS.	5593

TITLE					
H***X025H*T OPTIMUM COMPUTER PRINTABLE MIL. SPEC. HEAT SHRINK MARKERS CUSTOMER DRAWING					
ITEM REVISION NAME			100923NG/11		
DATASET FILE NAME			100923NG_DC_C10432/11K		
UNLESS OTHERWISE SPECIFIED, DIMENSIONAL TOLERANCES ARE: IN [mm]			MATERIAL:		
.x ± .12 [3.05]		.xxx ± .020 [0.508]		HEATSHRINK TUBING GMUHS31, 3.5 WIDE LINER	
.xx ± .062 [1.57]		ANGLES ±			
THIRD ANGLE PROJECTION			DRAWING NUMBER:		
C10432					
DRAWN BY	DATE	CHK	SCALE	SIZE	
RVU	8/1/06	MSAD	NTS	SHT 1 OF 1 A	