



Chipsmall Limited consists of a professional team with an average of over 10 year of expertise in the distribution of electronic components. Based in Hongkong, we have already established firm and mutual-benefit business relationships with customers from,Europe,America and south Asia,supplying obsolete and hard-to-find components to meet their specific needs.

With the principle of “Quality Parts,Customers Priority,Honest Operation,and Considerate Service”,our business mainly focus on the distribution of electronic components. Line cards we deal with include Microchip,ALPS,ROHM,Xilinx,Pulse,ON,Everlight and Freescale. Main products comprise IC,Modules,Potentiometer,IC Socket,Relay,Connector.Our parts cover such applications as commercial,industrial, and automotives areas.

We are looking forward to setting up business relationship with you and hope to provide you with the best service and solution. Let us make a better world for our industry!



Contact us

Tel: +86-755-8981 8866 Fax: +86-755-8427 6832

Email & Skype: info@chipsmall.com Web: www.chipsmall.com

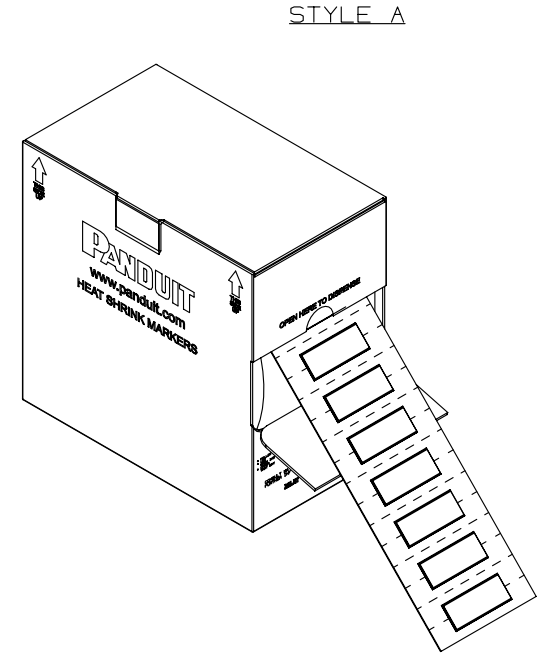
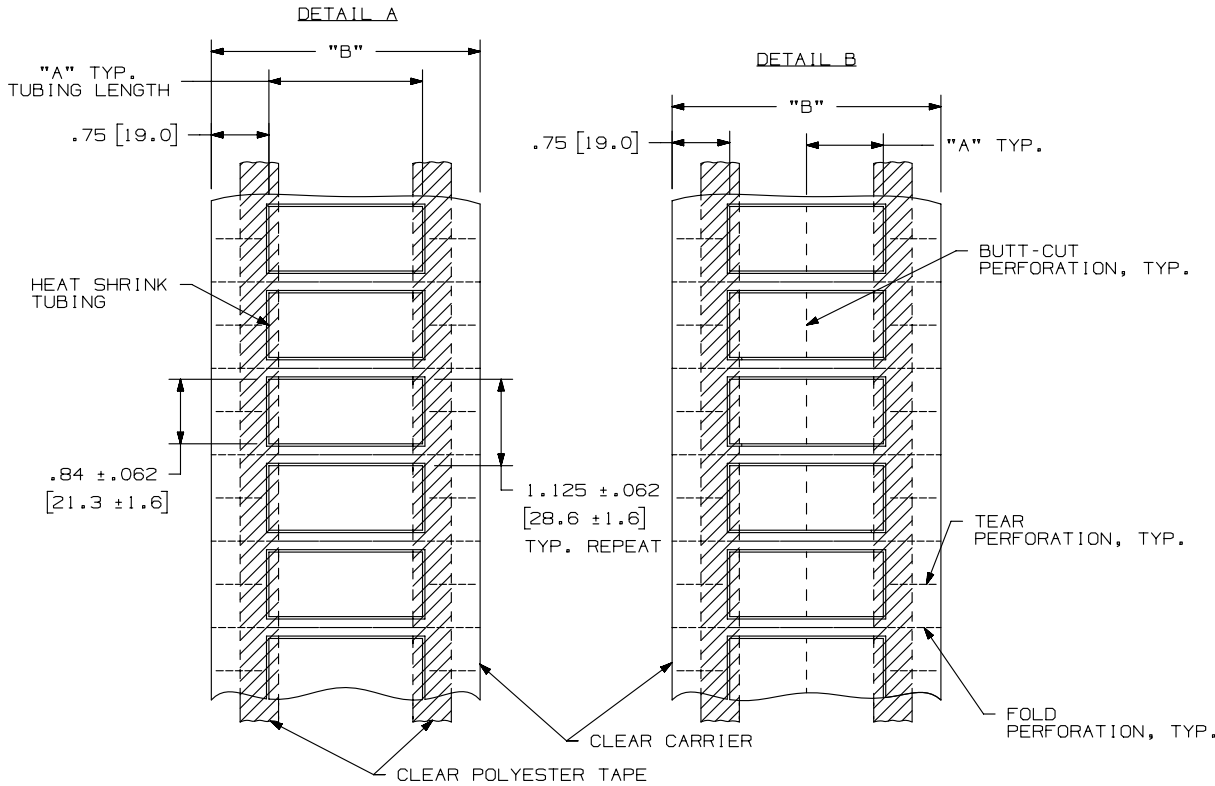
Address: A1208, Overseas Decoration Building, #122 Zhenhua RD., Futian, Shenzhen, China



THIS COPY IS PROVIDED ON A RESTRICTED BASIS AND IS NOT TO BE USED IN ANY WAY DETRIMENTAL TO THE INTERESTS OF PANDUIT CORP.

NOTE:
1. MILLIMETER ARE IN [].

PART NUMBER	SEE DETAIL	MATERIAL	"A" +/- .062	"B" +/- .062	INSIDE NOMINAL DIA.	MARKER ACROSS	TUBING COLOR	PKG. QTY.	SEE STYLE
H200X084HFT-2	A	GMUHF	2.00 [50.8]	3.50 [88.9]	1/2 in. [12.7 mm]	1	WHITE	500	A
H200X084HGT-2	A		2.00 [50.8]				YELLOW		
H100X084HFT-2	B		1.00 [25.4]	2		WHITE	1000		
H100X084HGT-2	B		1.00 [25.4]			YELLOW			



REV	DATE	BY	CHK	APR	DESCRIPTION	ECN
2	2/4/13	RVU	DAPE	SEWH	REMOVE 100X84HFT-2-B, H200X084HFT-2-B, 100X84HGT-2-B, AND H200X084HGT-2-B.	GAECN00576
1	8/23/11	RVU	DAPE		*Change marker height tolerance from .032" to .062" to match other HST drawings tolerances. Update on view. REMOVE STYLE B.	6481
0	6/2/11	RVU	DAPE		DRAWING RELEASE.	6412

TITLE		H***X084H*T-2 TWO-SIDED HEAT SHRINK LABEL, HALOGEN FREE CUSTOMER DRAWING	
ITEM REVISION NAME		100472XN/02	
DATASET FILE NAME		100472XN-DC-C10930/02C	
UNLESS OTHERWISE SPECIFIED, DIMENSIONAL TOLERANCES ARE: IN [mm]		PANDUIT TM MATERIAL: HEAT SHRINK TUBING, GMUHF	
.x ± .12 [3.05] .xxx ± .015 [.381] .xx ± .062 [1.57] ANGLES ±		DRAWING NUMBER: C10930	
THIRDS ANGLE PROJECTION 		DRAWN BY: RVU DATE: 6/2/11 CHK: MSAD SCALE: NTS SHT 1 OF 1 SIZE: A	

D10100DA/12