



Chipsmall Limited consists of a professional team with an average of over 10 year of expertise in the distribution of electronic components. Based in Hongkong, we have already established firm and mutual-benefit business relationships with customers from,Europe,America and south Asia,supplying obsolete and hard-to-find components to meet their specific needs.

With the principle of "Quality Parts,Customers Priority,Honest Operation,and Considerate Service",our business mainly focus on the distribution of electronic components. Line cards we deal with include Microchip,ALPS,ROHM,Xilinx,Pulse,ON,Everlight and Freescale. Main products comprise IC,Modules,Potentiometer,IC Socket,Relay,Connector.Our parts cover such applications as commercial,industrial, and automotives areas.

We are looking forward to setting up business relationship with you and hope to provide you with the best service and solution. Let us make a better world for our industry!



Contact us

Tel: +86-755-8981 8866 Fax: +86-755-8427 6832

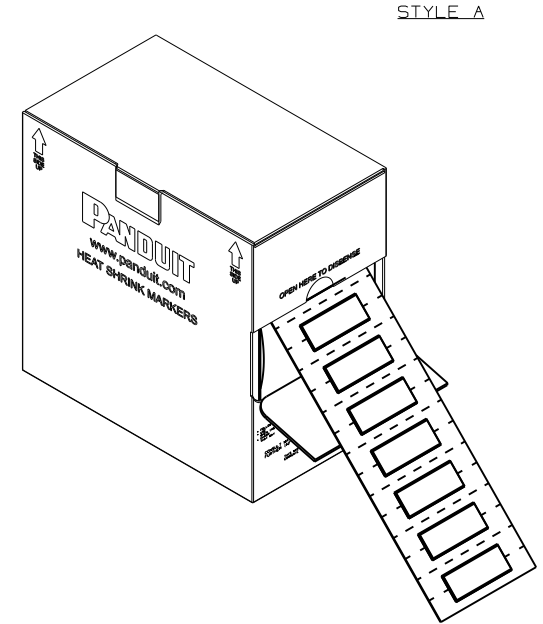
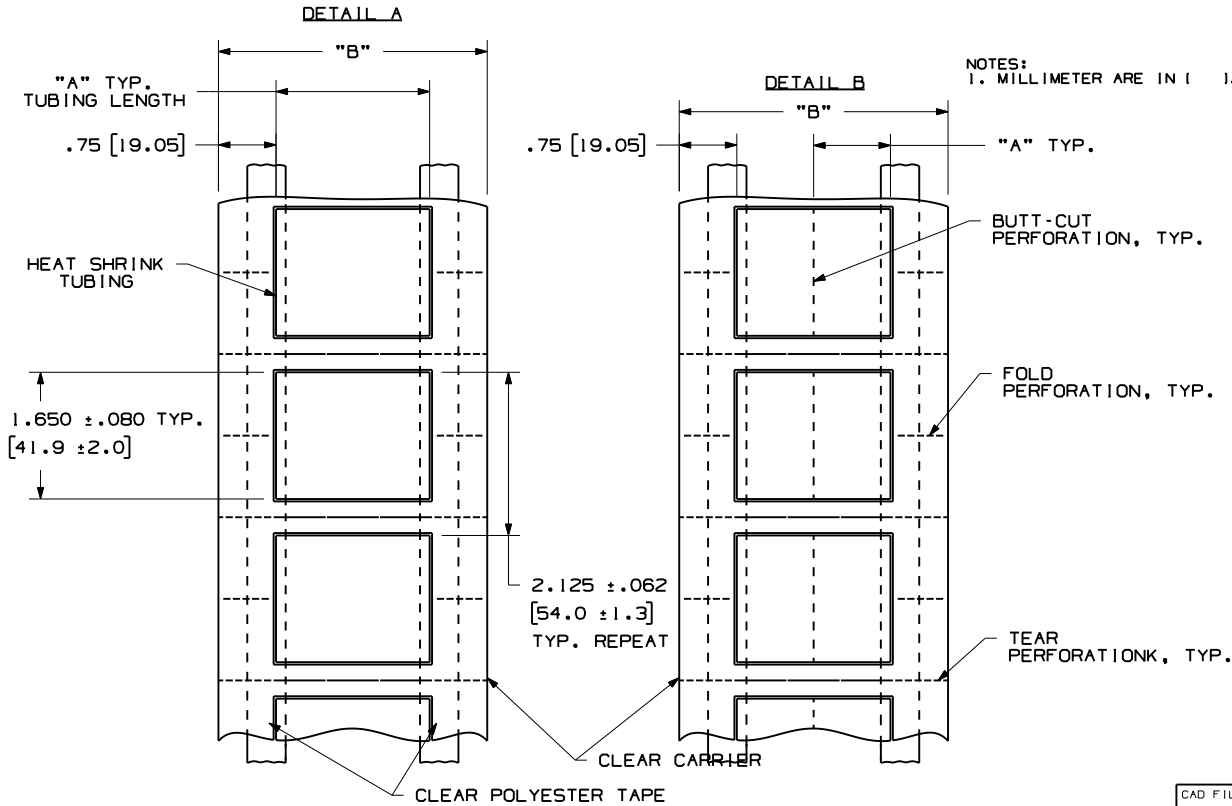
Email & Skype: info@chipsmall.com Web: www.chipsmall.com

Address: A1208, Overseas Decoration Building, #122 Zhenhua RD., Futian, Shenzhen, China



THIS COPY IS PROVIDED ON A RESTRICTED BASIS AND IS NOT TO BE USED IN ANY WAY DETRIMENTAL TO THE INTERESTS OF PANDUIT CORP.

PART NUMBER	SEE DETAIL	MATERIAL	"A" +/- .062	"B" +/- .062	INSIDE NOMINAL DIA.	MIN ID SUPPLIED	MAX. RECOVERED	MARKER ACROSS	TUBING COLOR	PKG. QTY.	SEE STYLE
H100X165HST-2	B	GMUFR31	1.00 [25.4]	3.50 [88.9]	1.00 in. [25.4 mm]	1.00 in. [25.4 mm]	0.315 [8.0]	2	YELLOW	500	A
H200X165HST-2	A		2.00 [50.8]					1		250	



CAD FILENAME/LAYERS		100815BJ-DC-C10962/00A	
<h1>PANDUIT</h1> CORP. TINLEY PARK, ILLINOIS			
CUSTOMER DRAWING H**X165H*T-2 TWO-SIDED HEAT SHRINK LABEL FLUID RESISTANT			
UNLESS OTHERWISE SPECIFIED, DIMENSIONAL TOLERANCES ARE: (.X) ± .12 (.XXX) ± .020 (.XX) ± .062 ANGLES ±		UNLESS OTHERWISE SPECIFIED, ALL DIMENSIONS ARE GIVEN IN INCHES, THIRD ANGLE PROJECTION.	
DRAWN BY RVU	MAT'L:	SCALE NTS	
DATE 11/14/11	HEAT SHRINK TUBING, GMUHF21	DRAWING NO. C10962	DWG A SIZE
CHK'D <i>[Signature]</i>			

REV	DATE	BY	CHK	DESCRIPTION	ECN	R	CUST	SUP
0	12/13/11	RVU		DRAWING RELEASE.	6566	R		