



Chipsmall Limited consists of a professional team with an average of over 10 year of expertise in the distribution of electronic components. Based in Hongkong, we have already established firm and mutual-benefit business relationships with customers from,Europe,America and south Asia,supplying obsolete and hard-to-find components to meet their specific needs.

With the principle of “Quality Parts,Customers Priority,Honest Operation,and Considerate Service”,our business mainly focus on the distribution of electronic components. Line cards we deal with include Microchip,ALPS,ROHM,Xilinx,Pulse,ON,Everlight and Freescale. Main products comprise IC,Modules,Potentiometer,IC Socket,Relay,Connector.Our parts cover such applications as commercial,industrial, and automotives areas.

We are looking forward to setting up business relationship with you and hope to provide you with the best service and solution. Let us make a better world for our industry!



## Contact us

Tel: +86-755-8981 8866 Fax: +86-755-8427 6832

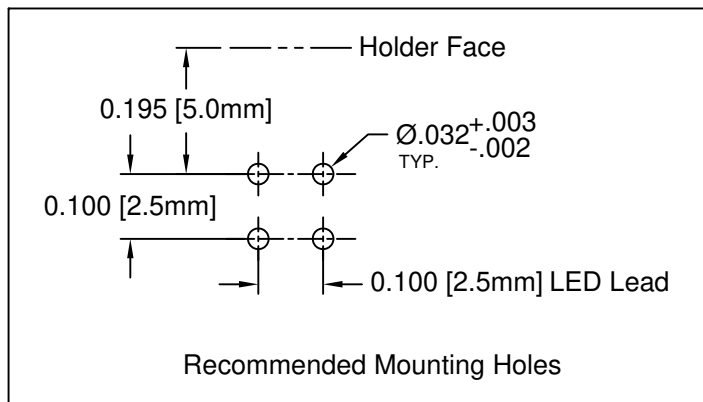
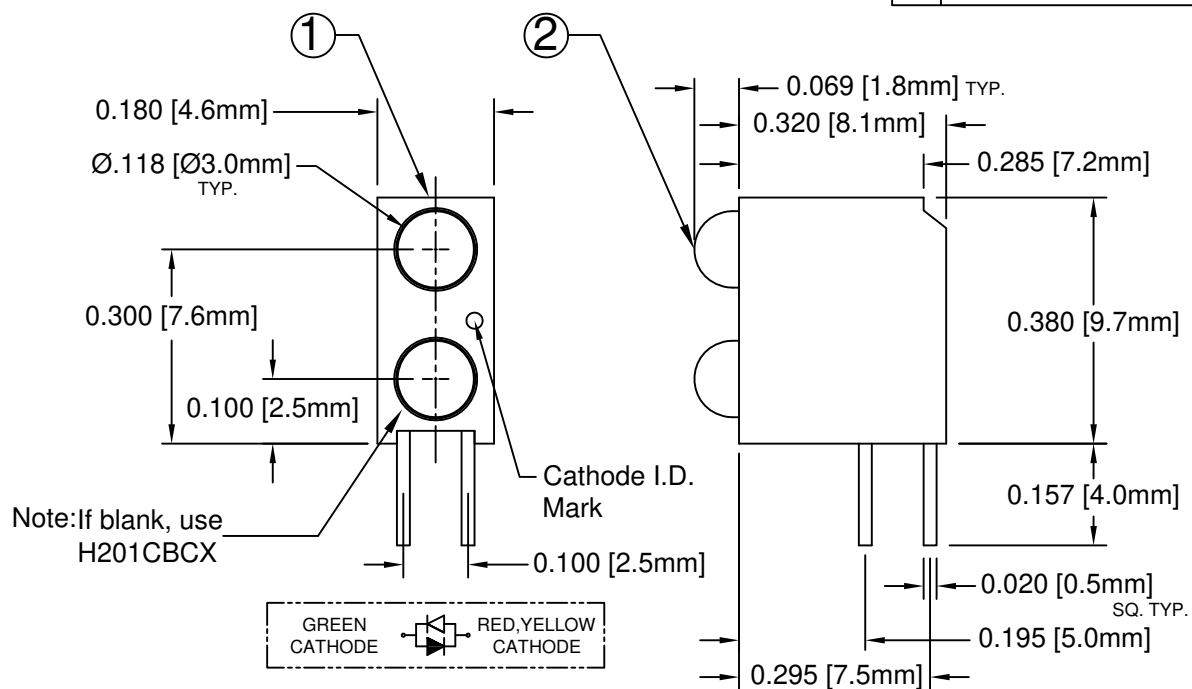
Email & Skype: info@chipsmall.com Web: www.chipsmall.com

Address: A1208, Overseas Decoration Building, #122 Zhenhua RD., Futian, Shenzhen, China



ITEM	Q'TY	PART NUMBER	PART DESCRIPTION
1	1	H-201C	T-1 (3mm) Bi-Level LED Holder, 90° Mount
2	2	3BCXX	T-1 (3mm) N-Flange Bi-Color LED, See Page 2

REV.	DESCRIPTION	DATE	APPROVED
A	Engineering Update w/o Changes	03/05/04	M. C.
B	Added Note for Blank LED	02/26/08	M. C.
C	Engineering Update w/o Changes	06/21/16	J. C.



## ABSOLUTE MAXIMUM RATINGS (Ta=25° C)

REVERSE VOLTAGE	_____	5V
REVERSE CURRENT	_____	100uA
OPERATING TEMPERATURE RANGE	_____	-25° C - 85° C
STORAGE TEMPERATURE	_____	-30° C - 100° C
LEAD SOLDERING TEMPERATURE(1/16" FROM BODY)	_____	260° C FOR 5 SECONDS

STANDARD TOLERANCE (UNLESS OTHERWISE SPECIFIED)	
DECIMALS	ANGULAR
.X ± .1	X° ± 1°
.XX ± .02	
.XXX ± .010	

**BIVAR**®

4 THOMAS, IRVINE, CA. 92618  
TEL: (949) 951-8808 FAX: (949) 951-3974


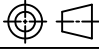
**TITLE:** T-1 (3MM) BI-COLOR  
90° BI-LEVEL LED ASSY

DESIGNED: <b>T. Yin</b>	DATE: <b>03/05/04</b>
CHECKED: <b>D. Green</b>	DATE: <b>03/05/04</b>

<b>PART NO:</b> H201CBCXX	<b>REVISION:</b> C
<b>CAGE CODE :</b> 32559	<b>SHEET #</b> 1 <b>OF</b> 2
CAD GENERATED DOCUMENT. DO NOT MEASURE DRAWING.	

REV.	DESCRIPTION	DATE	APPROVED
	SEE SHEET #1		

LED Assy No.	Peak Wave Length $\lambda_p$ (nm)	Emitted Color	Lens Appearance	Absolute Max. Rating	Electro-Optical Data @ 20mA			Viewing Angle $2\theta_{1/2}$ (Deg)	LED P/N
					Vf (V)		Iv (mcd)		
					If (mA)	TYP	MAX		
H201CBC	635	HE RED	WHITE DIFFUSED	30	2.0	2.6	30	45	3BC
	568	GREEN		30	2.2	2.6	30		
H201CBC-Y/G	585	YELLOW	WHITE DIFFUSED	30	2.1	2.6	15	45	3BC-Y/G
	568	GREEN		30	2.2	2.6	30		

STANDARD TOLERANCE ( UNLESS OTHERWISE SPECIFIED ) $\pm 10\%$ ALL VALUES    ANGULAR		 4 THOMAS, IRVINE, CA. 92618 TEL: (949) 951-8808    FAX: (949) 951-3974	
		 <b>TITLE:</b> T-1 (3MM) BI-COLOR 90° BI-LEVEL LED ASSY	
DESIGNED: <b>S. Irving</b>	DATE: <b>03/05/04</b>	<b>PART NO:</b> H201CBCXX	REVISION: <b>C</b>
CHECKED: <b>M. Chen</b>	DATE: <b>03/05/04</b>	<b>CAGE CODE :</b> 32559	<b>SHEET # 2 OF 2</b>
CAD GENERATED DOCUMENT. DO NOT MEASURE DRAWING.			