



Chipsmall Limited consists of a professional team with an average of over 10 year of expertise in the distribution of electronic components. Based in Hongkong, we have already established firm and mutual-benefit business relationships with customers from,Europe,America and south Asia,supplying obsolete and hard-to-find components to meet their specific needs.

With the principle of “Quality Parts,Customers Priority,Honest Operation,and Considerate Service”,our business mainly focus on the distribution of electronic components. Line cards we deal with include Microchip,ALPS,ROHM,Xilinx,Pulse,ON,Everlight and Freescale. Main products comprise IC,Modules,Potentiometer,IC Socket,Relay,Connector.Our parts cover such applications as commercial,industrial, and automotives areas.

We are looking forward to setting up business relationship with you and hope to provide you with the best service and solution. Let us make a better world for our industry!



## Contact us

Tel: +86-755-8981 8866 Fax: +86-755-8427 6832

Email & Skype: info@chipsmall.com Web: www.chipsmall.com

Address: A1208, Overseas Decoration Building, #122 Zhenhua RD., Futian, Shenzhen, China



# Customer Information Sheet

DRAWING No.: H2170-XX - H2174-XX

SHEET 2 OF 2

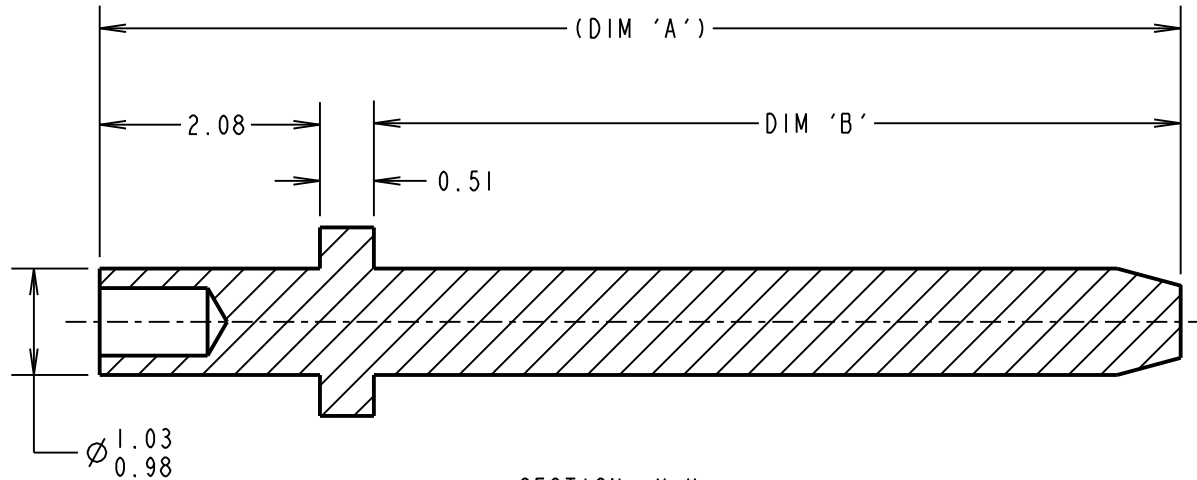
IF IN DOUBT - ASK

©

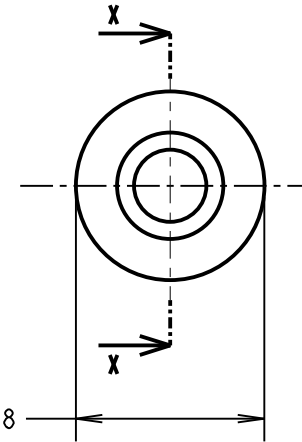
NOT TO SCALE

THIRD ANGLE PROJECTION

ALL DIMENSIONS IN mm



SECTION X-X



ORDER CODE:

**H217X-XX**

PART No.:  
SEE TABLE

FINISH:

01 = 7.6µm 100% TIN  
OVER NICKEL  
05 = 0.1µm GOLD

**OBSOLETE from 26-07-2018**  
**H2172-01**  
**H2172-05**

MGP	7	02.02.18	21072
NAME	ISS.	DATE	C/NOTE
APPROVED: MGP			
CHECKED: SB			
DRAWN: J. PHILIPSON			
CUSTOMER REF.:			
ASSEMBLY DRG:			

PART No.	(DIM 'A')	DIM 'B'	PUNCH & DIE TOOL No.
H2170-XX	(15.29)	12.70	Z2170-00
H2171-XX	(21.64)	19.05	Z2171-00
<del>H2172-XX</del>	<del>(27.99)</del>	<del>25.40</del>	<del>Z2172-00</del>
H2173-XX	(10.21)	7.62	Z2173-00
H2174-XX	(6.40)	3.81	Z2174-00

- NOTES:
1. RECOMMENDED MOUNTING HOLE SIZE =  $\varnothing$ 1.04-1.14mm.
  2. RECOMMENDED PANEL THICKNESS = 1.6mm.
  3. ALL TOLERANCES ARE  $\pm$ 0.13 UNLESS OTHERWISE STATED.

**OBSOLETE**

**HARWIN**

www.harwin.com  
technical@harwin.com

THIS DRAWING AND ANY INFORMATION OR DESCRIPTIVE MATTER SET OUT HEREON ARE CONFIDENTIAL AND COPYRIGHT PROPERTY OF THE HARWIN GROUP AND MUST NOT BE DISCLOSED, LOANED, COPIED OR USED FOR MANUFACTURING, TENDERING OR FOR ANY OTHER PURPOSE WITHOUT THEIR WRITTEN PERMISSION.

**TOLERANCES**  
~~X =  $\pm$ 1mm~~  
~~X.X =  $\pm$ 0.50mm~~  
~~X.XX =  $\pm$ 0.10mm~~  
~~X.XXX =  $\pm$ 0.01mm~~  
 ANGLES =  $\pm$ 5°  
 UNLESS STATED

**MATERIAL:**  
BRASS CW614N TO BS EN 12164 (CuZn39Pb3) [SEE TABLE]  
**FINISH:** SEE ABOVE  
**S/AREA:** mm<sup>2</sup>

**TITLE:**  
TERMINAL PIN

**DRAWING NUMBER:**  
H2170-XX - H2174-XX

SHT  
2 OF 2