



Chipsmall Limited consists of a professional team with an average of over 10 year of expertise in the distribution of electronic components. Based in Hongkong, we have already established firm and mutual-benefit business relationships with customers from,Europe,America and south Asia,supplying obsolete and hard-to-find components to meet their specific needs.

With the principle of “Quality Parts,Customers Priority,Honest Operation,and Considerate Service”,our business mainly focus on the distribution of electronic components. Line cards we deal with include Microchip,ALPS,ROHM,Xilinx,Pulse,ON,Everlight and Freescale. Main products comprise IC,Modules,Potentiometer,IC Socket,Relay,Connector.Our parts cover such applications as commercial,industrial, and automotives areas.

We are looking forward to setting up business relationship with you and hope to provide you with the best service and solution. Let us make a better world for our industry!



Contact us

Tel: +86-755-8981 8866 Fax: +86-755-8427 6832

Email & Skype: info@chipsmall.com Web: www.chipsmall.com

Address: A1208, Overseas Decoration Building, #122 Zhenhua RD., Futian, Shenzhen, China



Customer Information Sheet

(INCHES)

DRAWING No.: H2177-XX

SHEET 2 OF 2

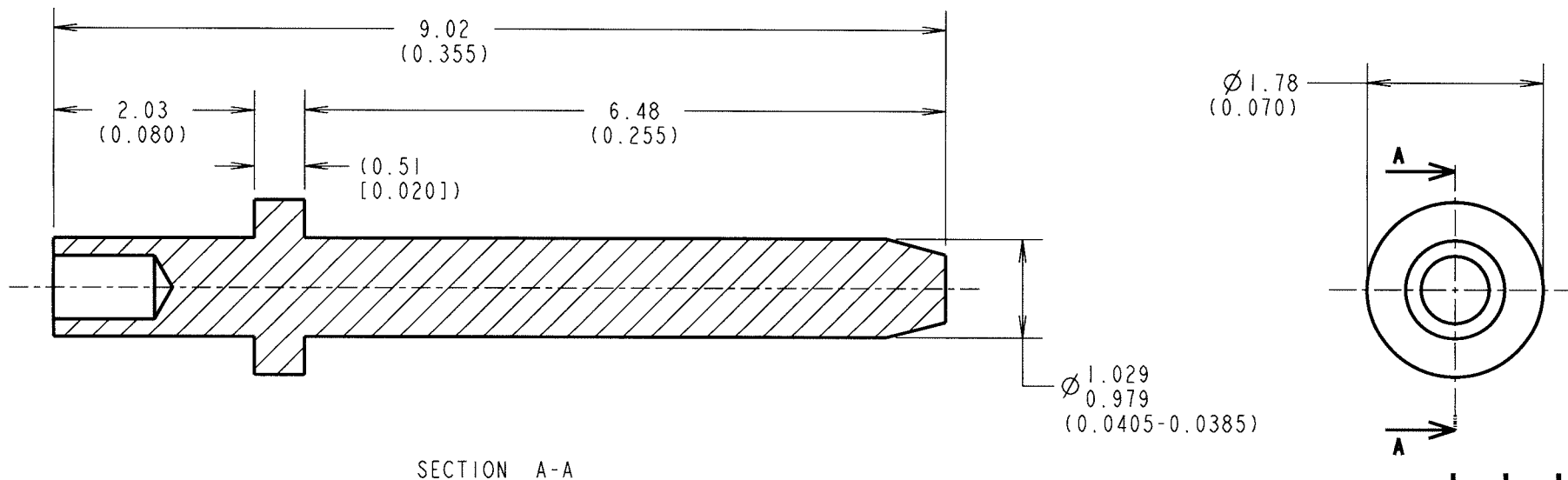
IF IN DOUBT - ASK



NOT TO SCALE

THIRD ANGLE PROJECTION

ALL DIMENSIONS IN mm



SECTION A-A

NOTES:

1. RECOMMENDED MOUNTING HOLE SIZE = \varnothing 1.04-1.14mm.
2. RECOMMENDED PANEL THICKNESS = 1.6mm.
3. ALL TOLERANCES ARE \pm 0.13mm (0.005") UNLESS OTHERWISE STATED.
4. TO BE USED WITH PUNCH & DIE TOOL No. Z2177-00.

ORDER CODE:

H2177-XX

FINISH: _____
05 = GOLD

JAE	1	11.02.05	----
NAME	ISS.	DATE	C/NOTE
APPROVED: <i>[Signature]</i>			
CHECKED: <i>[Signature]</i>			
DRAWN: J. ENRIGHT			
CUSTOMER REF.:			
ASSEMBLY DRG:			

HARWIN

HARWIN INC U.S.A. TEL: (812) 542 2540 FAX: (812) 542 2541	HARWIN PLC U.K. TEL: 023 9231 4545 FAX: 023 9231 4590	HARWIN PTE SINGAPORE TEL: 65 6779 4909 FAX: 65 6779 3868
--	--	---

THIS DRAWING AND ANY INFORMATION OR DESCRIPTIVE MATTER SET OUT HEREON ARE CONFIDENTIAL AND COPYRIGHT PROPERTY OF THE HARWIN GROUP AND MUST NOT BE DISCLOSED, LOANED, COPIED OR USED FOR MANUFACTURING, TENDERING OR FOR ANY OTHER PURPOSE WITHOUT THEIR WRITTEN PERMISSION.

TOLERANCES
~~X = \pm 1mm~~
~~X.X = \pm 0.25mm~~
~~X.XX = \pm 0.10mm~~
~~X.XXX = \pm 0.01mm~~
 ANGLES = \pm 5°
 UNLESS STATED

MATERIAL:
BRASS CW603N TO BS EN 12164 (CuZn36Pb3)
FINISH: 0.1 μ GOLD
S/AREA: mm²

TITLE: TERMINAL PIN
DRAWING NUMBER: H2177-XX
 SHT 2 OF 2