



Chipsmall Limited consists of a professional team with an average of over 10 year of expertise in the distribution of electronic components. Based in Hongkong, we have already established firm and mutual-benefit business relationships with customers from,Europe,America and south Asia,supplying obsolete and hard-to-find components to meet their specific needs.

With the principle of "Quality Parts,Customers Priority,Honest Operation,and Considerate Service",our business mainly focus on the distribution of electronic components. Line cards we deal with include Microchip,ALPS,ROHM,Xilinx,Pulse,ON,Everlight and Freescale. Main products comprise IC,Modules,Potentiometer,IC Socket,Relay,Connector.Our parts cover such applications as commercial,industrial, and automotives areas.

We are looking forward to setting up business relationship with you and hope to provide you with the best service and solution. Let us make a better world for our industry!



## Contact us

Tel: +86-755-8981 8866 Fax: +86-755-8427 6832

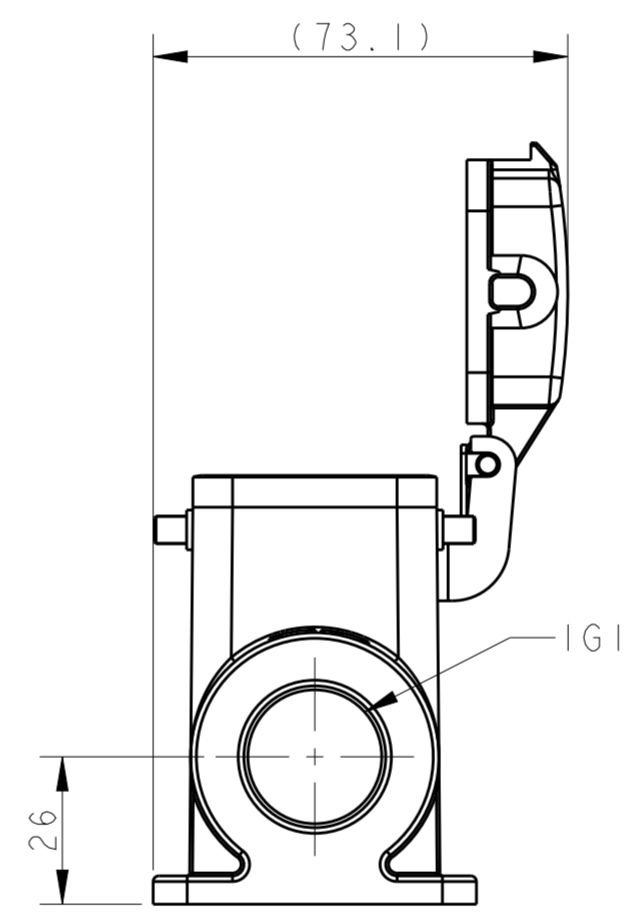
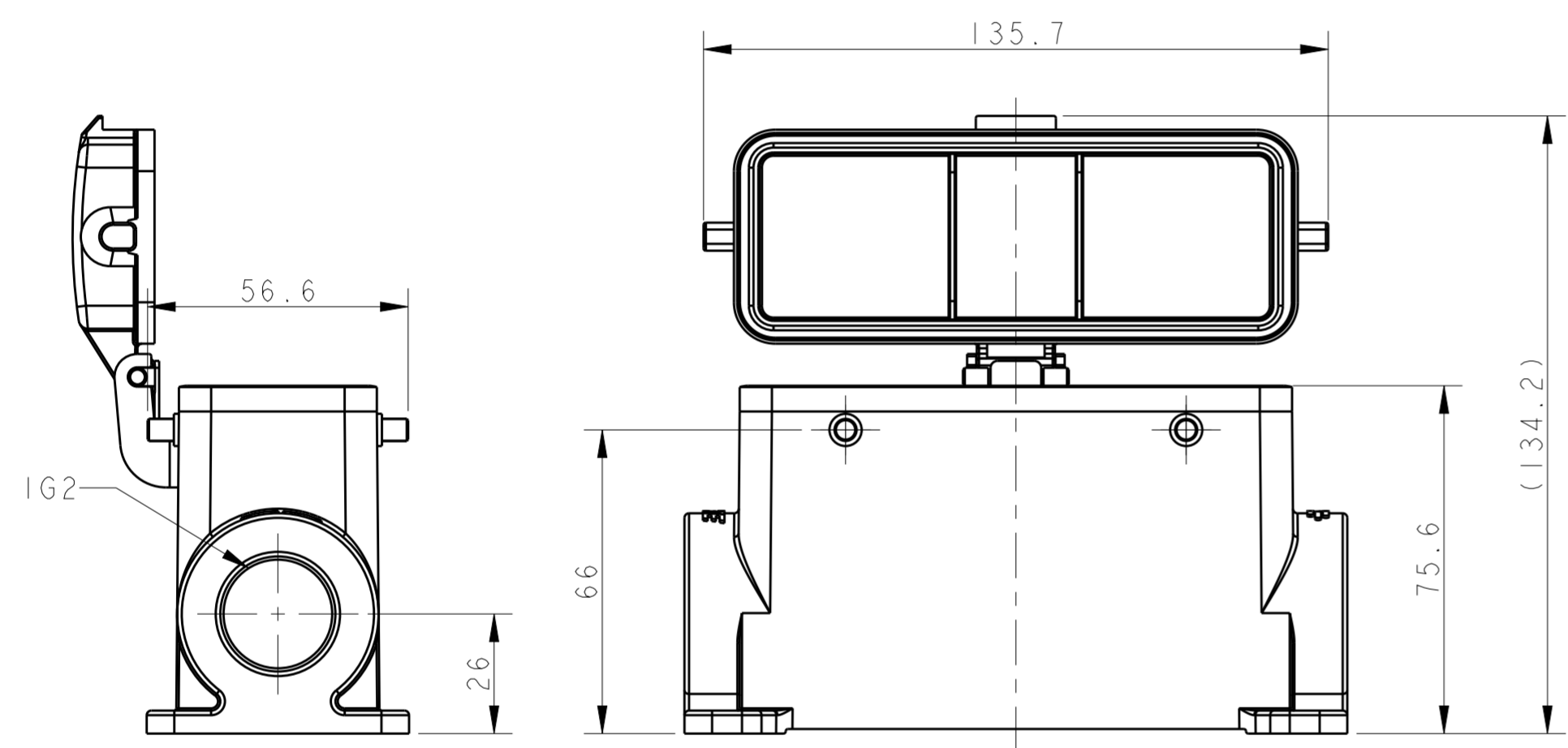
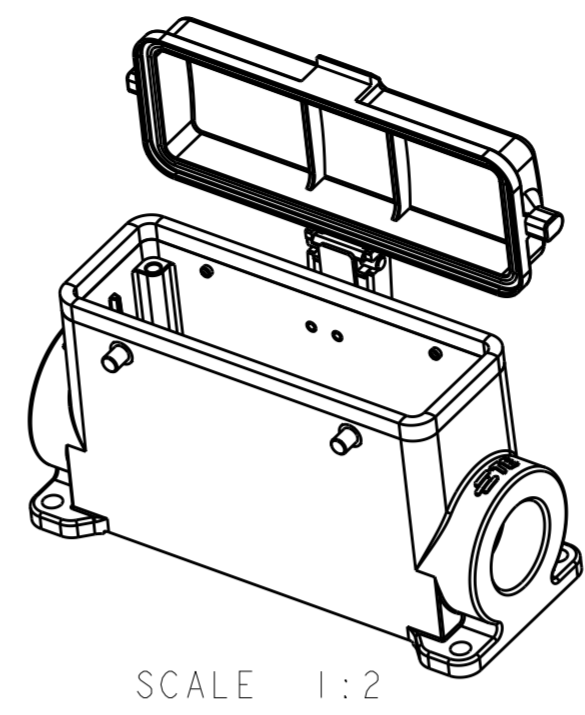
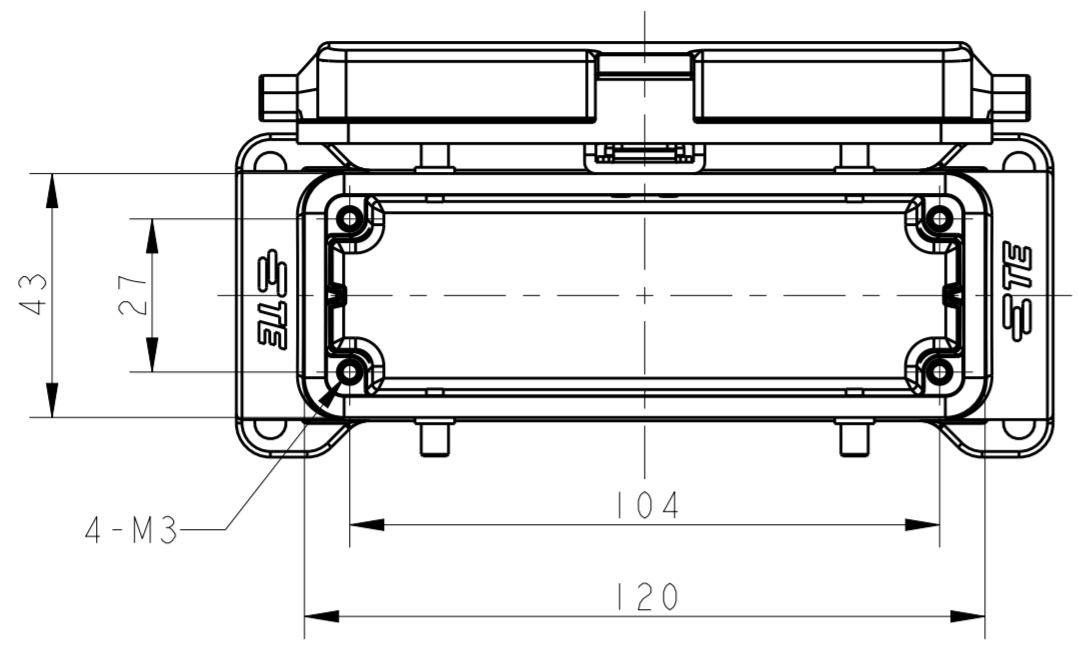
Email & Skype: info@chipsmall.com Web: www.chipsmall.com

Address: A1208, Overseas Decoration Building, #122 Zhenhua RD., Futian, Shenzhen, China



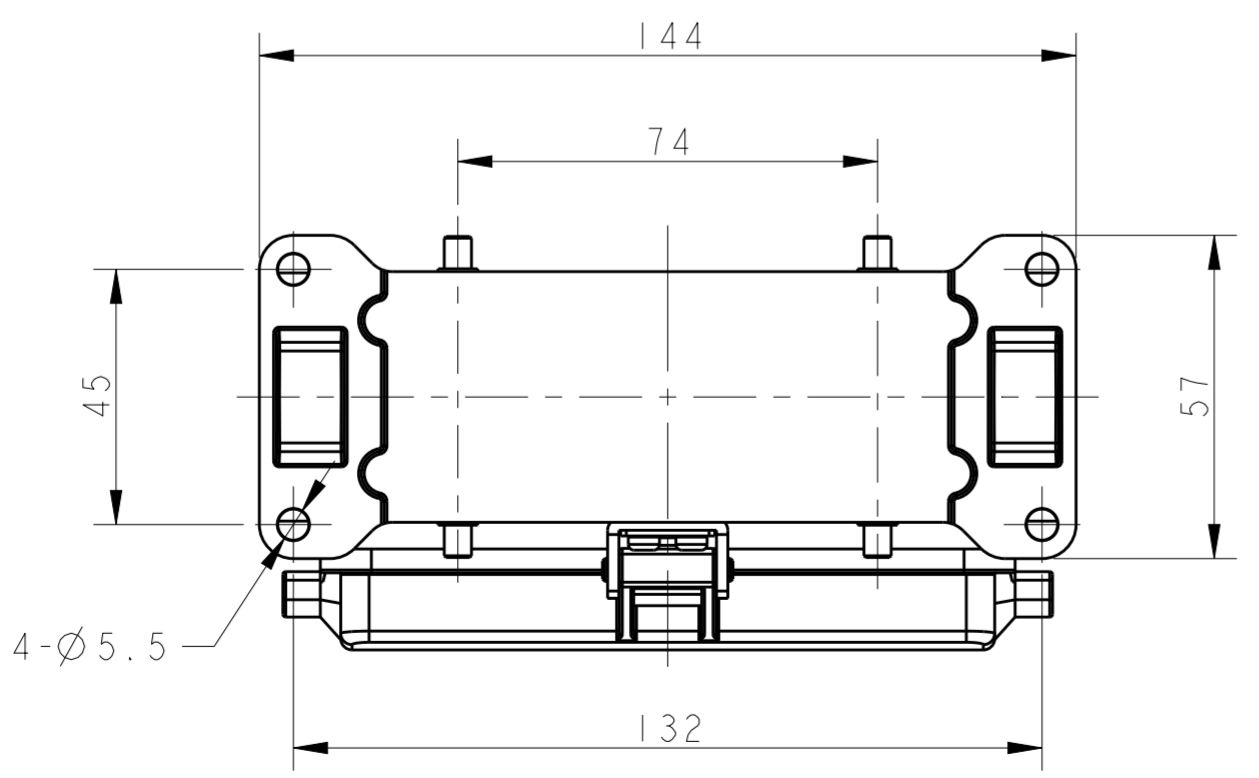
THIS DRAWING IS UNPUBLISHED. RELEASED FOR PUBLICATION 20  
 © COPYRIGHT 20 BY - ALL RIGHTS RESERVED.

REVISIONS				
P	LTR	DESCRIPTION	DATE	APVD
A		INITIAL RELEASE	17JUN2015	DL CW



NOTES:  
 1. TECHNICAL CHARACTERISTICS:  
 BODY MATERIAL: DIE CAST ALUMINIUM ALLOY  
 SURFACE TREATMENT: POWDER-COATED, GRAY  
 OPERATION TEMPERATURE: -40-+125°C  
 DEGREE OF PROTECTION: IP65 (MATED)

注释:  
 1. 技术参数:  
 主体材料: 铝合金  
 表面处理: 粉末喷涂, 灰色  
 工作温度: -40-+125°C  
 防护等级: IP65(配合)



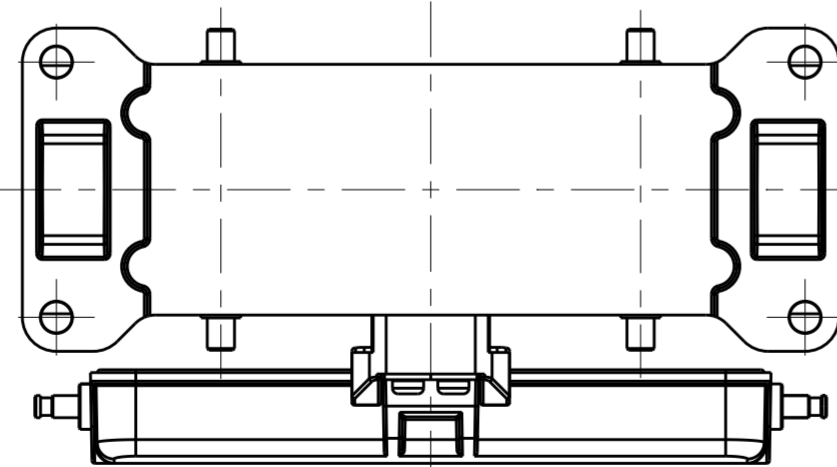
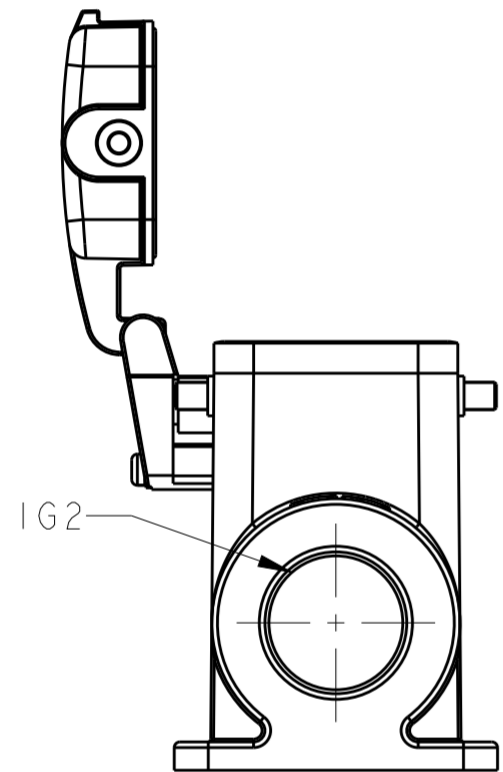
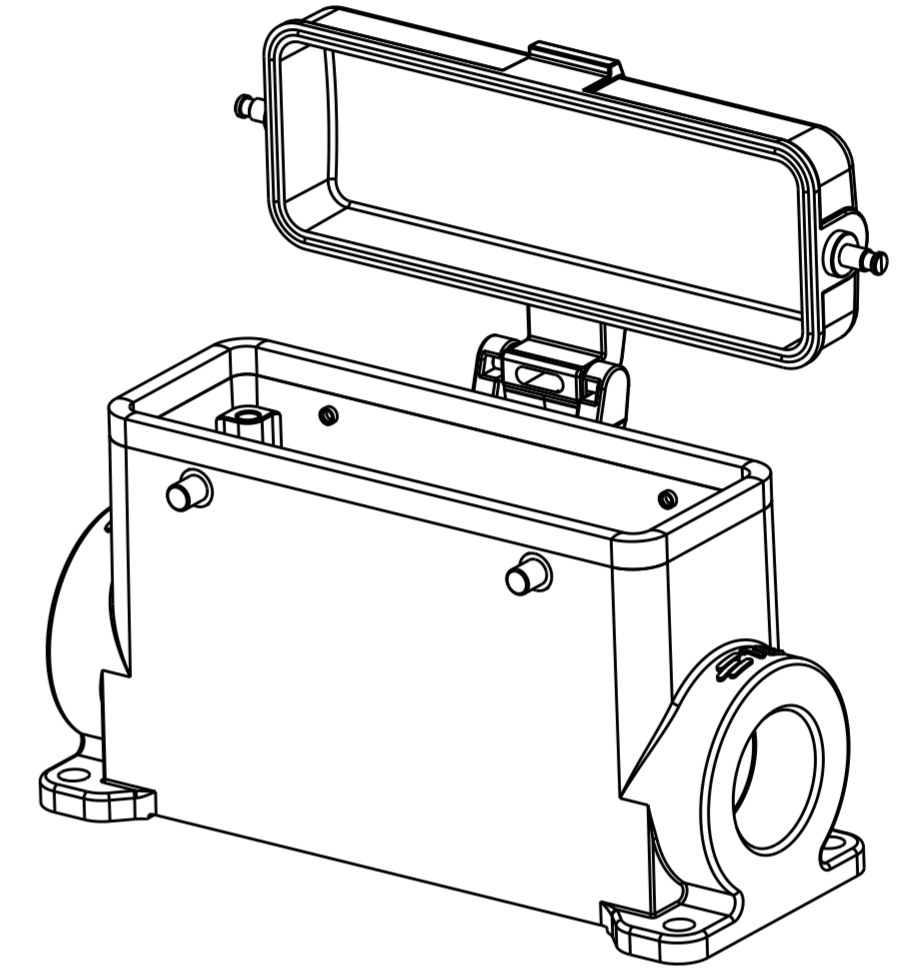
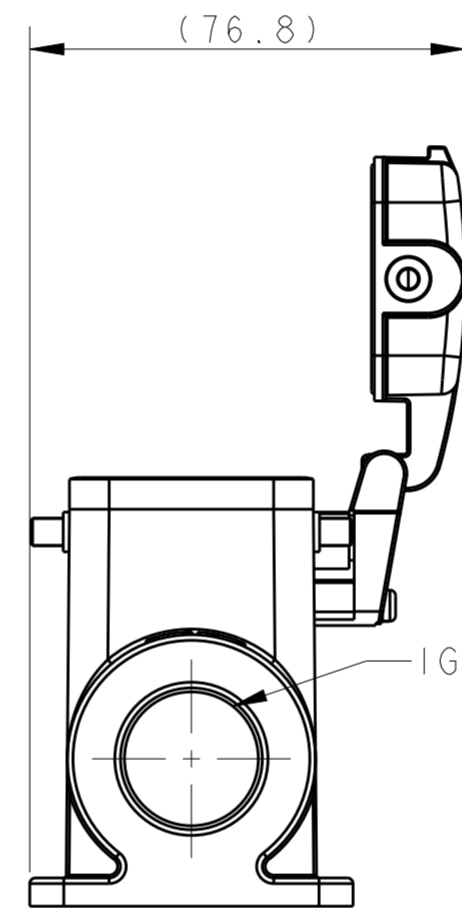
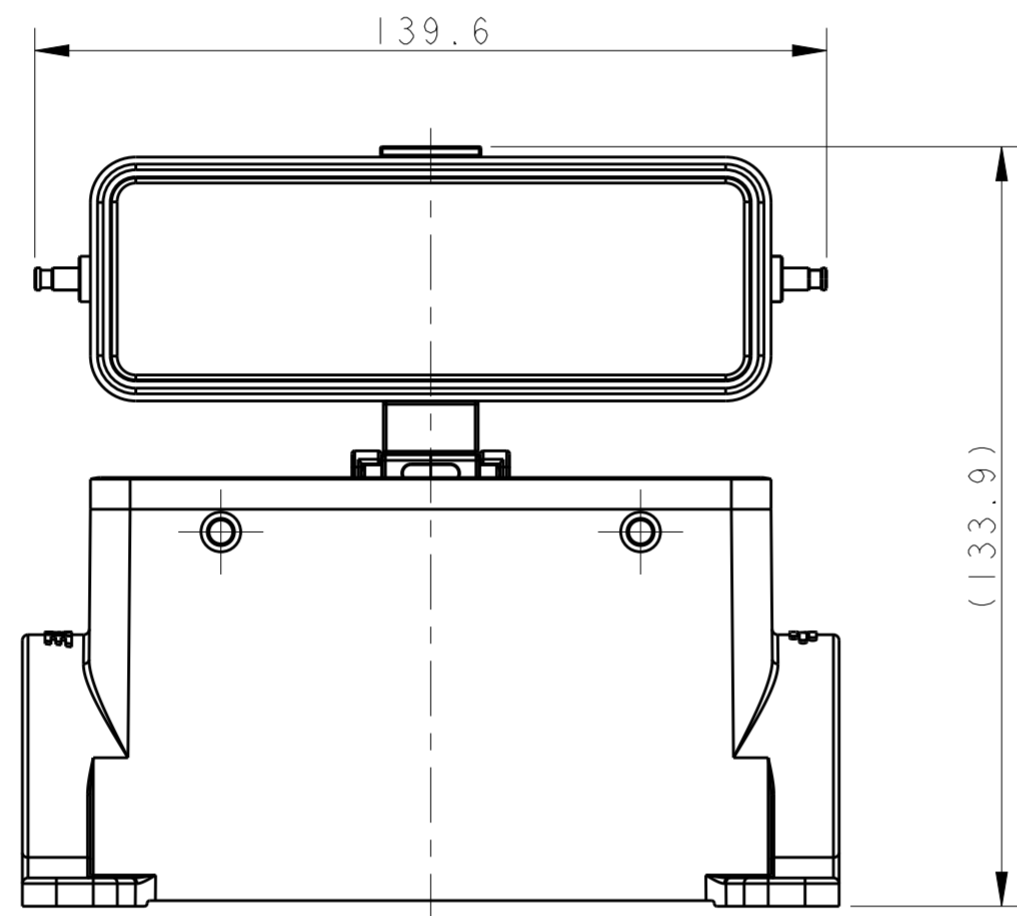
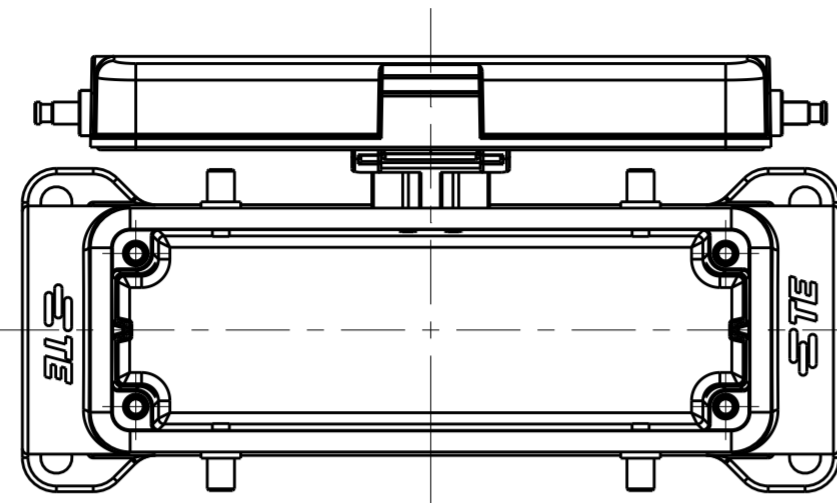
TYPE 1: HIGH BODY + PLASTIC PROTECTON COVER

TI490240121-000	TYPE 1	H24B-SDRH-BO-PG21	PG21	-
TI490240125-000		H24B-SDRH-BO-M25	M25	-
TI490240129-000		H24B-SDRH-BO-PG29	PG29	-
TI490240132-000		H24B-SDRH-BO-M32	M32	-
TI490240221-000		H24B-SDRH-BO-2PG21	PG21	PG21
TI490240229-000		H24B-SDRH-BO-2PG29	PG29	PG29
TI490240232-000		H24B-SDRH-BO-2M32	M32	M32
ASSEMBLY PART NUMBER	TYPE	ASSEMBLY PART DESCRIPTION	IG1	IG2

THIS DRAWING IS A CONTROLLED DOCUMENT.		DWN DAVID LI 17JUN2015	TE Connectivity	
		CHK CHRIS WANG 17JUN2015		
		APVD XU XIANG 17JUN2015	NAME H24B-SDRH-BO-PG/M & DWG_TITLE_2	
DIMENSIONS: mm		PRODUCT SPEC 108-137013	SIZE A2	
TOLERANCES UNLESS OTHERWISE SPECIFIED:		APPLICATION SPEC 114-137013	CAGE CODE -	
0 PLC ±		WEIGHT -	DRAWING NO. C-TI49024XXXX000	
1 PLC ±		RESTRICTED TO -		
2 PLC ±		SCALE 3:4		
3 PLC ±		SHEET 1 OF 2		
4 PLC ±		REV A		
ANGLES ±				
FINISH -				
MATERIAL TBD		CUSTOMER DRAWING		

THIS DRAWING IS UNPUBLISHED. RELEASED FOR PUBLICATION 20  
 © COPYRIGHT 20 BY - ALL RIGHTS RESERVED.

REVISIONS				
P	LTR	DESCRIPTION	DATE	APVD
A		INITIAL RELEASE	17JUN2015	DL CW



TYPE 2: HIGH BODY + METAL PROTECTON COVER  
 OTHER SPEC REFER TO TYPE 1

TI490241121-000	TYPE 2	H24B-SDRHM-BO-PG21	PG21	-
TI490241129-000		H24B-SDRHM-BO-PG29	PG29	-
TI490241132-000		H24B-SDRHM-BO-M32	M32	-
TI490241221-000		H24B-SDRHM-BO-2PG21	PG21	PG21
TI490241229-000		H24B-SDRHM-BO-2PG29	PG29	PG29
TI490241232-000		H24B-SDRHM-BO-2M32	M32	M32
ASSEMBLY PART NUMBER	TYPE	ASSEMBLY PART DESCRIPTION	IG1	IG2

DIMENSIONS:		TOLERANCES UNLESS OTHERWISE SPECIFIED:		DWN DAVID LI 17JUN2015		CHK CHRIS WANG 17JUN2015		APVD XU XIANG 17JUN2015		STE TE Connectivity	
mm	0 PLC ±	1 PLC ±	2 PLC ±	3 PLC ±	4 PLC ±	ANGLES ±	FINISH	PRODUCT SPEC	108-137013	NAME	H24B-SDRH-BO-PG/M & DWG_TITLE_2
MATERIAL	TBD							APPLICATION SPEC	114-137013	SIZE	A2
								WEIGHT	-	CAGE CODE	-
								CUSTOMER DRAWING		DRAWING NO	G-TI49024XXXX000
										RESTRICTED TO	-
										SCALE	3:4
										SHEET	2 OF 2
										REV	A