



Chipsmall Limited consists of a professional team with an average of over 10 year of expertise in the distribution of electronic components. Based in Hongkong, we have already established firm and mutual-benefit business relationships with customers from,Europe,America and south Asia,supplying obsolete and hard-to-find components to meet their specific needs.

With the principle of “Quality Parts,Customers Priority,Honest Operation,and Considerate Service”,our business mainly focus on the distribution of electronic components. Line cards we deal with include Microchip,ALPS,ROHM,Xilinx,Pulse,ON,Everlight and Freescale. Main products comprise IC,Modules,Potentiometer,IC Socket,Relay,Connector.Our parts cover such applications as commercial,industrial, and automotives areas.

We are looking forward to setting up business relationship with you and hope to provide you with the best service and solution. Let us make a better world for our industry!



## Contact us

Tel: +86-755-8981 8866 Fax: +86-755-8427 6832

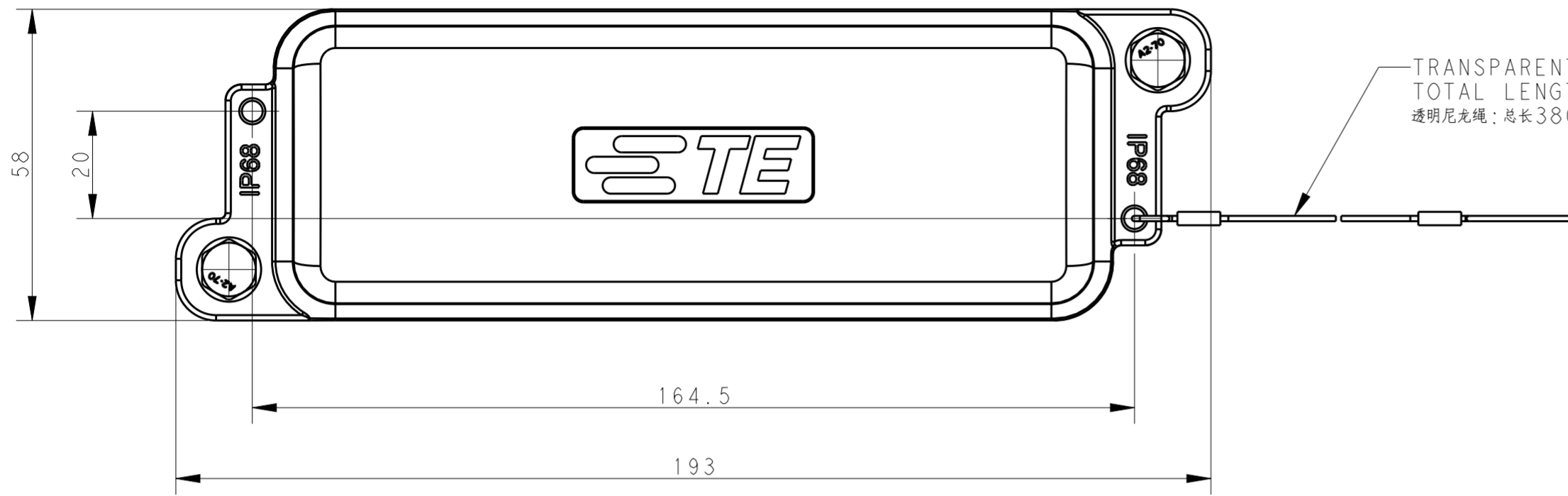
Email & Skype: info@chipsmall.com Web: www.chipsmall.com

Address: A1208, Overseas Decoration Building, #122 Zhenhua RD., Futian, Shenzhen, China

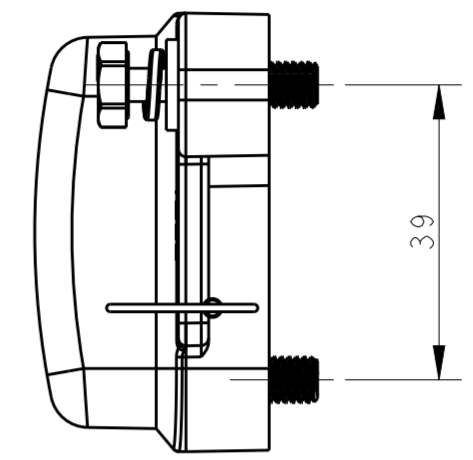


THIS DRAWING IS UNPUBLISHED. RELEASED FOR PUBLICATION 20  
 © COPYRIGHT 20 BY - ALL RIGHTS RESERVED.

REVISIONS				
P	LTR	DESCRIPTION	DATE	APVD
A		INITIAL RELEASE	22OCT2016	DW CW
A1		ECR-17-008404	10JUN2017	CH CW

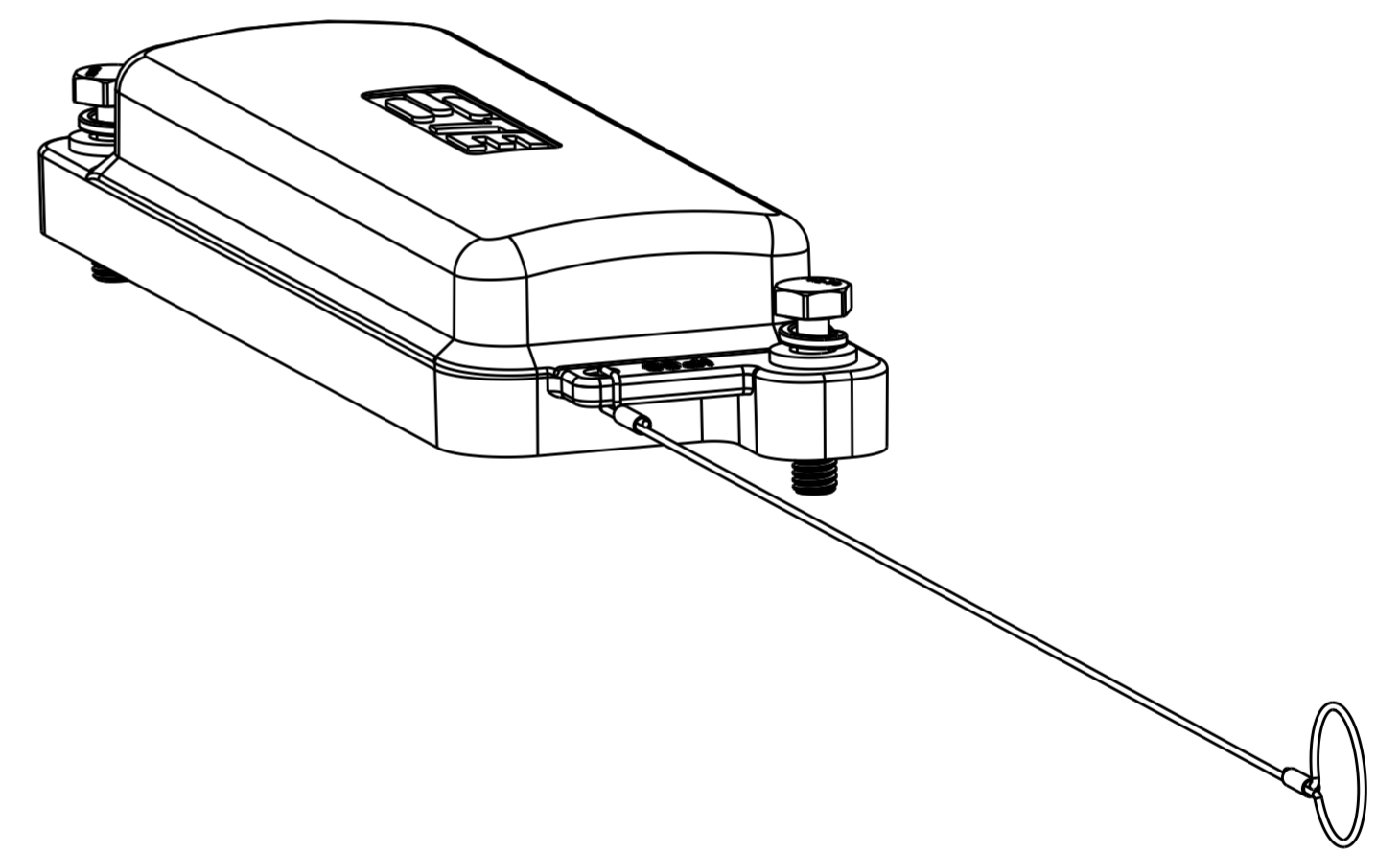
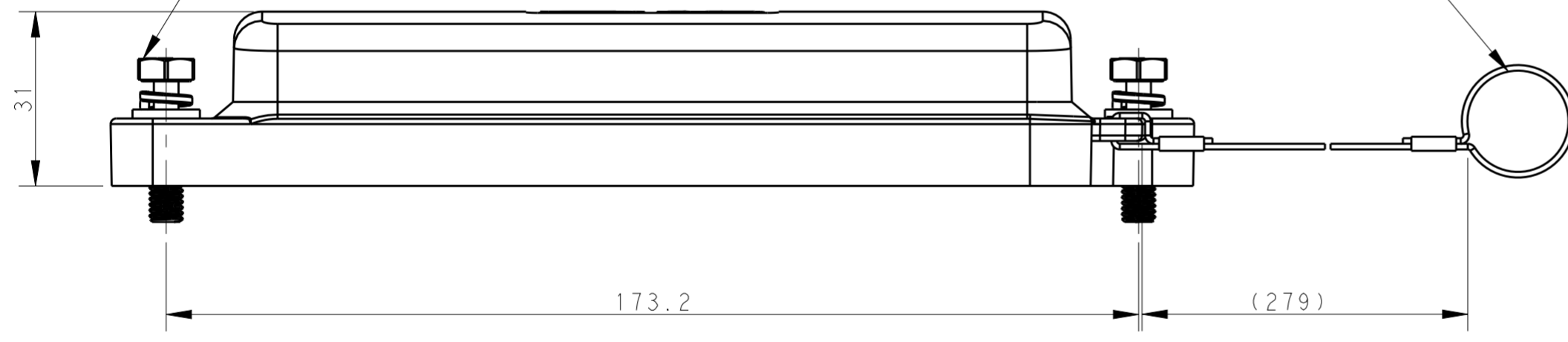


TRANSPARENT NYLON ROPE:  
 TOTAL LENGTH 380mm, DIA.  $\varnothing$ 1.0mm  
 透明尼龙绳: 总长380mm, 直径 $\varnothing$ 1.0mm



LOOP SIZE DEFAULT VALUE DIA.  $\varnothing$ 18,  
 UNLESS HAVE SPECIAL REQUIREMENT.  
 套圈大小默认值直径是 $\varnothing$ 18, 除非有特别要求.

2XM6 SCREW, RECOMMENDED TIGHTENING TORQUE 4.0Nm  
 2XM6 螺丝, 推荐锁紧扭矩4.0Nm



NOTES:  
 1. TECHNICAL CHARACTERISTICS:  
 COVER MATERIAL: DIE CAST ALUMINIUM ALLOY  
 SURFACE TREATMENT: SEE TABLE

注释  
 1. 技术参数:  
 壳体材料: 铝合金  
 表面处理: 见表格

T1990240000-009	H24BPR-KDBM-EMC-C	H24BPR HOUSING METAL PROTECTION COVER, DIAGONAL LOCKING, NYLON ROPE, PASSIVATION+POWDER COATED, BLACK / H24BPR对角锁定金属保护盖, 尼龙绳, 钝化+黑色粉末喷涂
PART NUMBER 料号	PART DESCRIPTION 描述	

THIS DRAWING IS A CONTROLLED DOCUMENT.		DWN DAVID.WANG 22OCT2016	TE Connectivity	
DIMENSIONS: mm		CHK CHRIS.WANG 22OCT2016		
		APVD XIANG.XU 22OCT2016		
TOLERANCES UNLESS OTHERWISE SPECIFIED:		PRODUCT SPEC	NAME H24BPR-KDBM-EMC-C	
0 PLC $\pm$		-	SIZE A2	
1 PLC $\pm$		-	CAGE CODE -	
2 PLC $\pm$		-	DRAWING NO. C-T1990240000009	
3 PLC $\pm$		-	RESTRICTED TO -	
4 PLC $\pm$		-	SCALE 1:1	
ANGLES $\pm$		WEIGHT -	SHEET 1 OF 1	
FINISH -		Customer Drawing	REV A1	