



Chipsmall Limited consists of a professional team with an average of over 10 year of expertise in the distribution of electronic components. Based in Hongkong, we have already established firm and mutual-benefit business relationships with customers from,Europe,America and south Asia,supplying obsolete and hard-to-find components to meet their specific needs.

With the principle of “Quality Parts,Customers Priority,Honest Operation,and Considerate Service”,our business mainly focus on the distribution of electronic components. Line cards we deal with include Microchip,ALPS,ROHM,Xilinx,Pulse,ON,Everlight and Freescale. Main products comprise IC,Modules,Potentiometer,IC Socket,Relay,Connector.Our parts cover such applications as commercial,industrial, and automotives areas.

We are looking forward to setting up business relationship with you and hope to provide you with the best service and solution. Let us make a better world for our industry!



Contact us

Tel: +86-755-8981 8866 Fax: +86-755-8427 6832

Email & Skype: info@chipsmall.com Web: www.chipsmall.com

Address: A1208, Overseas Decoration Building, #122 Zhenhua RD., Futian, Shenzhen, China



Model No: H26TG06-06
 Product Line: Tymphany

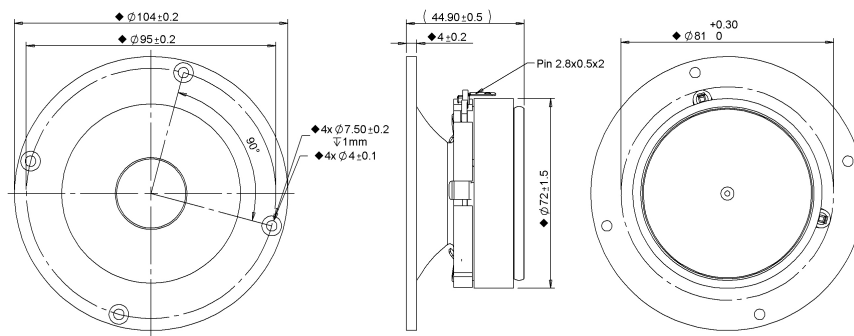
Rev: 1
 Last Update: 2017-04-21 12:39:42

Product Description

This H family tweeter features an 25 mm 6 ohm voice coil, a treated silk dome, and a ferrofluid-cooled ferrite motor. The large motor allows for robust power handling capacity. The tweeter comes with a faceplate with recessed mounting holes, for easy installation into the desired application. The faceplate has a horn geometry for increased sensitivity.



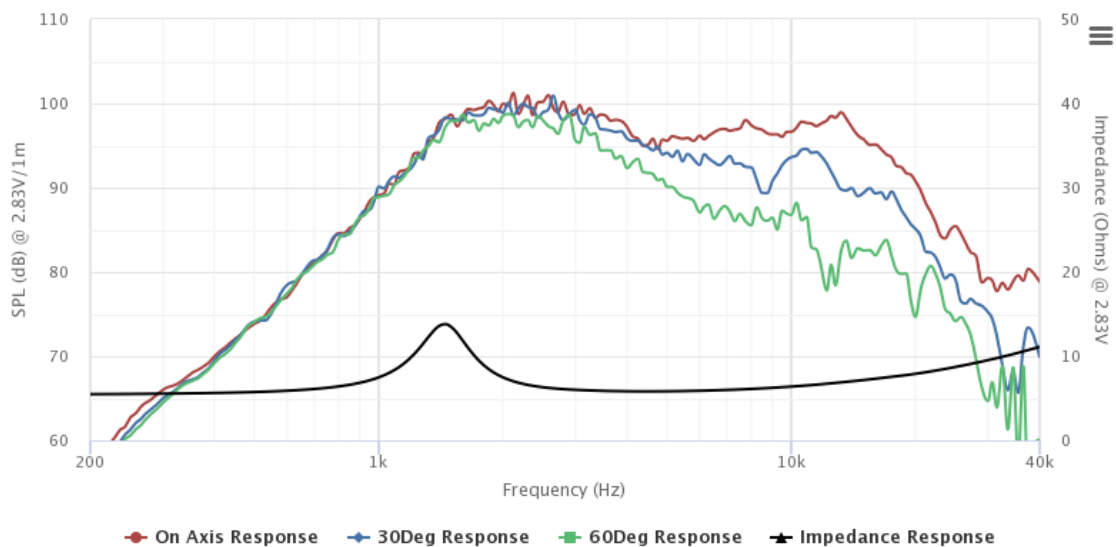
Mechanical Drawing



Specifications

| | | | | | | | |
|-------------------------------|-------------|--------|---------|-----------|----------------------------|---------|--------------------------|
| DC Resistance | Revc | Ohms | 4.69 | 5.0% | Energy Bandwidth Product | EBP | (1/Qes)*fs |
| Minimum Impedance | Zmin | Ohms | 5.82 | 7.5% | Moving Mass | Mms | g |
| Voice Coil Inductance | Le | mH | 0.02 | | Suspension Compliance | Cms | um/N |
| Resonant Frequency | Fs | Hz | 1444.51 | 15% | Effective Cone diameter | D | cm |
| Mechanical Q Factor | Qms | | 3.15 | | Effective Piston Area | Sd | cm ² |
| Electrical Q Factor | Qes | | 1.96 | | Effective Volume | Vas | L |
| Total Q Factor | Qts | | 1.21 | | Motor Force Factor | BL | Tm |
| Ratio Fs/Qts | F | Fs/Qts | 1195.78 | | Motor Efficiency Factor | β | (T*M ²)/Ohms |
| Half Space Sensitivity @2.83V | db@2.83V/1M | dB | 95.57 | +/- 1.0db | Voice coil former Material | VCfm | ASV |
| Half Space Sensitivity @1W/1M | db@1W/1M | dB | 94.2 | +/- 1.0db | Voice coil inner diameter | VCd | mm |
| Gap Height | Gh | mm | 2.5 | | Rated Noise Power | P | W |
| Maximum Linear Excursion | Xmax | mm | 0.5 | | Test Spectrum Bandwidth | | 2.5KHz-20KHz |
| Ferrofluid Type | FF | | APGL11 | | Driver Size | Inch | 25 mm |
| Driver Mass | Kg | | 0.53 | | | | |

Frequency and Impedance Response



Highcharts.com