



Chipsmall Limited consists of a professional team with an average of over 10 year of expertise in the distribution of electronic components. Based in Hongkong, we have already established firm and mutual-benefit business relationships with customers from,Europe,America and south Asia,supplying obsolete and hard-to-find components to meet their specific needs.

With the principle of "Quality Parts,Customers Priority,Honest Operation,and Considerate Service",our business mainly focus on the distribution of electronic components. Line cards we deal with include Microchip,ALPS,ROHM,Xilinx,Pulse,ON,Everlight and Freescale. Main products comprise IC,Modules,Potentiometer,IC Socket,Relay,Connector.Our parts cover such applications as commercial,industrial, and automotives areas.

We are looking forward to setting up business relationship with you and hope to provide you with the best service and solution. Let us make a better world for our industry!



Contact us

Tel: +86-755-8981 8866 Fax: +86-755-8427 6832

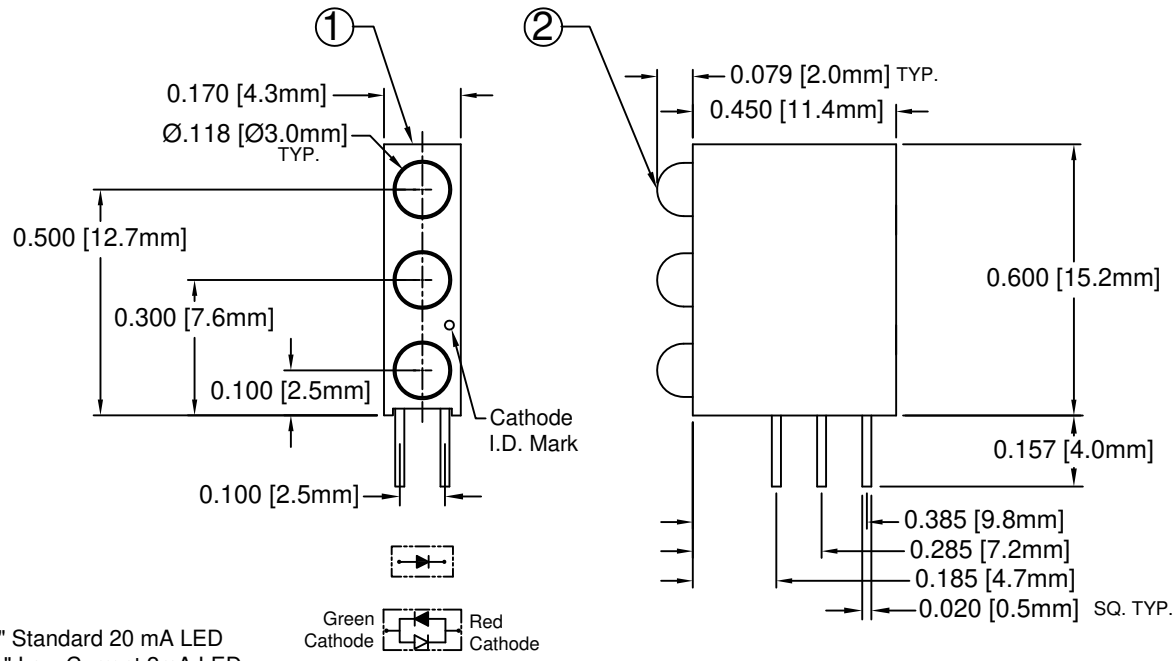
Email & Skype: info@chipsmall.com Web: www.chipsmall.com

Address: A1208, Overseas Decoration Building, #122 Zhenhua RD., Futian, Shenzhen, China

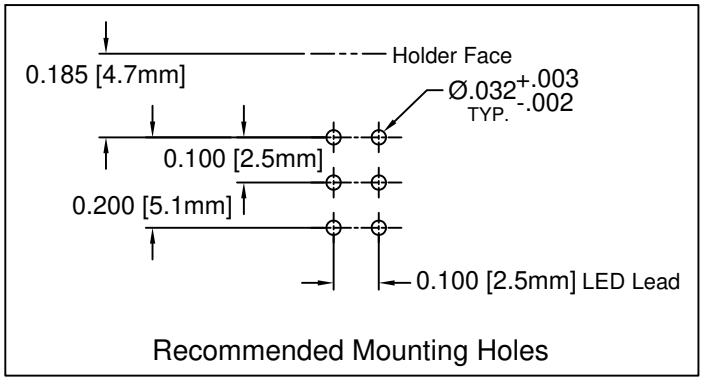
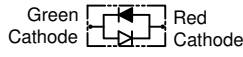
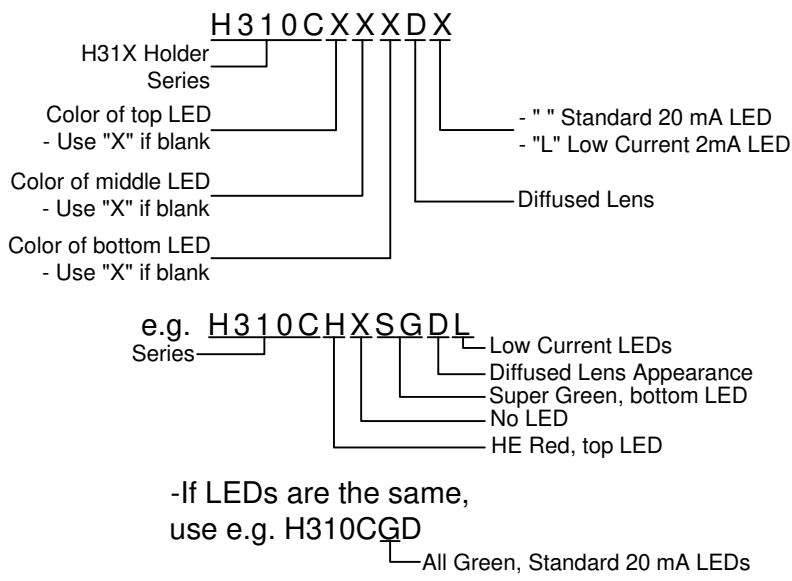


ITEM	Q'TY	PART NUMBER	PART DESCRIPTION
1	1	H-311C	T-1 (3mm) Tri-Level LED Holder, 90° Mount
2	3	3XX-201-S	T-1 (3mm) Extended Profile Shouldered LED, See Page 2 See P/N Configuration for LED Qty

REV.	DESCRIPTION	DATE	APPROVED
D	Added H310CRDL Spec	08/13/08	M. C.
E	Added H310CBC Spec	10/14/08	M. C.
F	Removed -RP Spec	09/21/09	T. Y.
G	Added 3ADL-201-S Spec	03/05/10	T. Y.
H	Removed Part Numbers, See Page 2	03/05/15	J. C.
J	Engineering Update w/o Changes	06/24/16	J. C.



NOTE: P/N Configuration




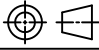
ABSOLUTE MAXIMUM RATINGS (Ta=25° C)

REVERSE VOLTAGE	5V
REVERSE CURRENT	100uA
OPERATING TEMPERATURE RANGE	-25° C - 85° C
STORAGE TEMPERATURE	-30° C - 100° C
LEAD SOLDERING TEMPERATURE(1/16" FROM BODY)	260° C FOR 5 SECONDS

STANDARD TOLERANCE (UNLESS OTHERWISE SPECIFIED)		 4 THOMAS, IRVINE, CA. 92618 TEL: (949) 951-8808 FAX: (949) 951-3974	
DECIMALS	ANGULAR		
.X ± .1	X° ± 1°	TITLE: T-1 (3mm) 90° TRI-LEVEL LED ASSY	
.XX ± .02			
.XXX ± .010		PART NO: H310CXX	
DESIGNED: T. Yin	DATE: 03/08/04	REVISION: J	
CHECKED: D. Green	DATE: 03/08/04	CAGE CODE : 32559 SHEET # 1 OF 2	
CAD GENERATED DOCUMENT. DO NOT MEASURE DRAWING.			

REV.	DESCRIPTION	DATE	APPROVED
	SEE SHEET #1		

LED Assy. No.	Peak Wave Length λ_p (nm)	Emitted Color	Lens Appearance	Electro-Optical Data				Viewing Angle $2\theta \frac{1}{2}$ (Deg)	LED P/N
				If (mA)	Vf (V)		Iv (mcd)		
				TYP	TYP	MAX	TYP		
STANDARD				Data @ 20m A					
H310CBWD	430	BLUE	DIFFUSED	20	4.0	4.5	10	35	3BWD-201-S
H310CGD	568	GREEN	DIFFUSED	20	2.1	2.8	25	35	3GD-201-S
H310CGC	568	GREEN	WATER CLEAR	20	2.1	2.8	40	20	3GC-201-S
H310CGT	568	GREEN	TINTED	20	2.1	2.8	40	20	3GT-201-S
H310CSGC	568	SUPER GREEN	WATER CLEAR	20	2.1	2.8	50	20	3SGC-201-S
H310CYD	590	YELLOW	DIFFUSED	20	2.0	2.8	20	35	3YD-201-S
H310CYT	590	YELLOW	TINTED	20	2.0	2.8	40	20	3YT-201-S
H310CSYC	590	SUPER YELLOW	WATER CLEAR	20	2.0	2.8	50	20	3SYC-201-S
H310CHD	625	HE RED	DIFFUSED	20	2.0	2.8	30	35	3HD-201-S
H310CRD	700	RED	DIFFUSED	20	2.1	2.8	2	35	3RD-201-S
H310CRC	700	RED	WATER CLEAR	20	2.1	2.8	3	20	3RC-201-S
H310CRT	700	RED	TINTED	20	2.1	2.8	3	20	3RT-201-S
H310CSRDL	645	SUPER RED	DIFFUSED	20	1.7	2.4	40	35	3SRDL-201-S
H310CSRC	645	SUPER RED	WATER CLEAR	20	1.7	2.4	60	20	3SRC-201-S
H310CBC	635	HE RED	WHITE DIFFUSED	20	2.0	2.8	6	45	3BC-201
	568	GREEN		20	2.1	2.8	6	45	
LOW CURRENT				Data @ 2m A					
H310CADL	605	AMBER	DIFFUSED	2	2.0	2.8	2	35	3ADL-201-S
H310CGDL	568	GREEN	DIFFUSED	2	2.1	2.8	2	35	3GDL-201-S
H310CYDL	590	YELLOW	DIFFUSED	2	2.0	2.6	2	35	3YDL-201-S
H310CHDL	625	HE RED	DIFFUSED	2	2.0	2.6	3	35	3HDL-201-S
H310CRDL	700	RED	DIFFUSED	2	2.1	2.8	0.2	35	3RDL-201-S

STANDARD TOLERANCE (UNLESS OTHERWISE SPECIFIED) $\pm 10\%$ ALL VALUES ANGULAR		 4 THOMAS, IRVINE, CA. 92618 TEL: (949) 951-8808 FAX: (949) 951-3974	
			
DESIGNED: T. Yin	DATE: 03/08/04	PART NO: H310CXX	
CHECKED: D. Green	DATE: 03/08/04	CAGE CODE : 32559	SHEET # 2 OF 2
CAD GENERATED DOCUMENT. DO NOT MEASURE DRAWING.			