



Chipsmall Limited consists of a professional team with an average of over 10 year of expertise in the distribution of electronic components. Based in Hongkong, we have already established firm and mutual-benefit business relationships with customers from,Europe,America and south Asia,supplying obsolete and hard-to-find components to meet their specific needs.

With the principle of "Quality Parts,Customers Priority,Honest Operation,and Considerate Service",our business mainly focus on the distribution of electronic components. Line cards we deal with include Microchip,ALPS,ROHM,Xilinx,Pulse,ON,Everlight and Freescale. Main products comprise IC,Modules,Potentiometer,IC Socket,Relay,Connector.Our parts cover such applications as commercial,industrial, and automotives areas.

We are looking forward to setting up business relationship with you and hope to provide you with the best service and solution. Let us make a better world for our industry!



## Contact us

Tel: +86-755-8981 8866 Fax: +86-755-8427 6832

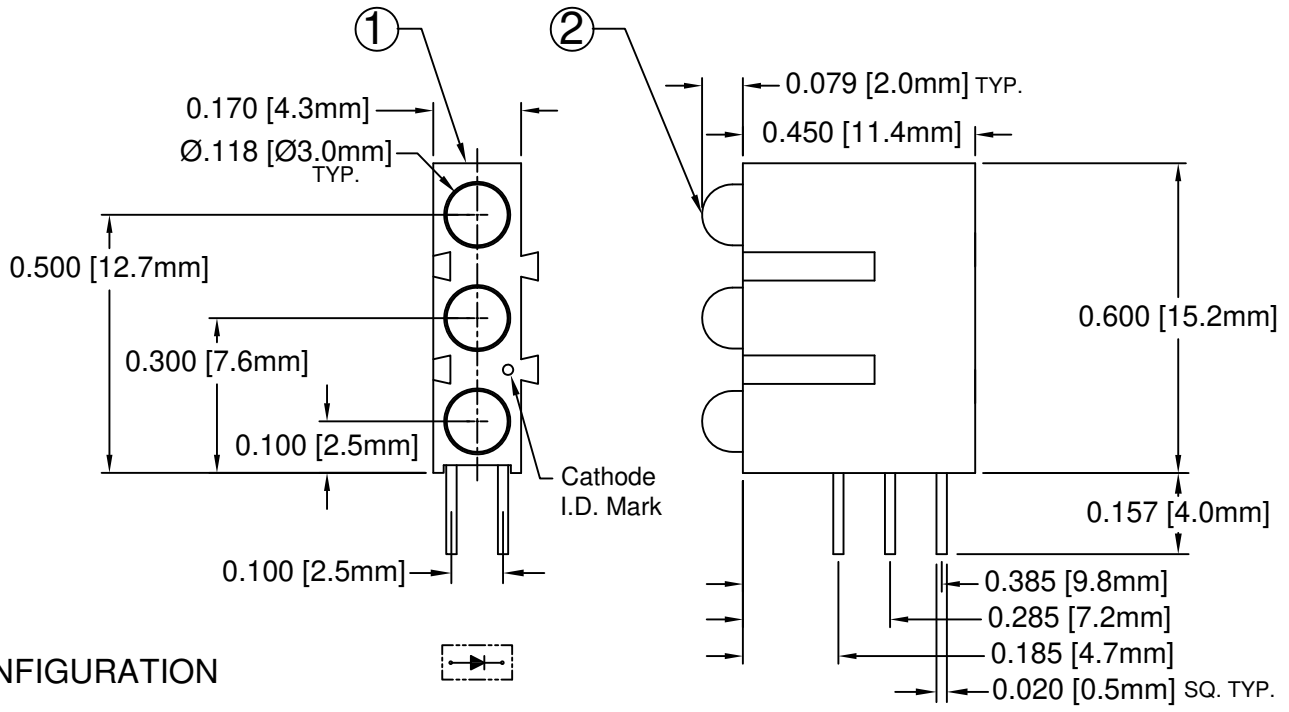
Email & Skype: info@chipsmall.com Web: www.chipsmall.com

Address: A1208, Overseas Decoration Building, #122 Zhenhua RD., Futian, Shenzhen, China

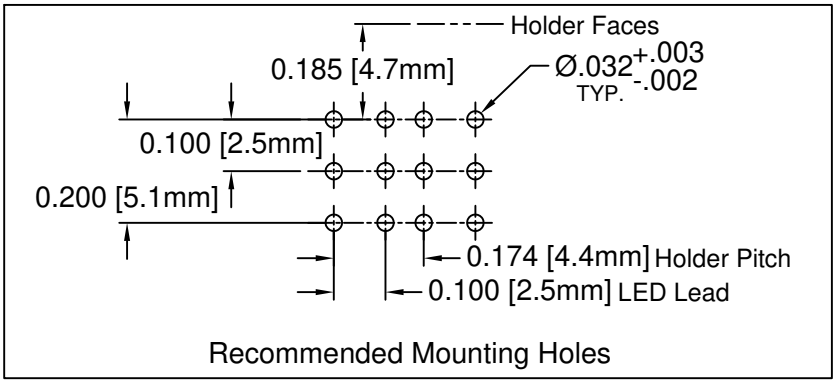
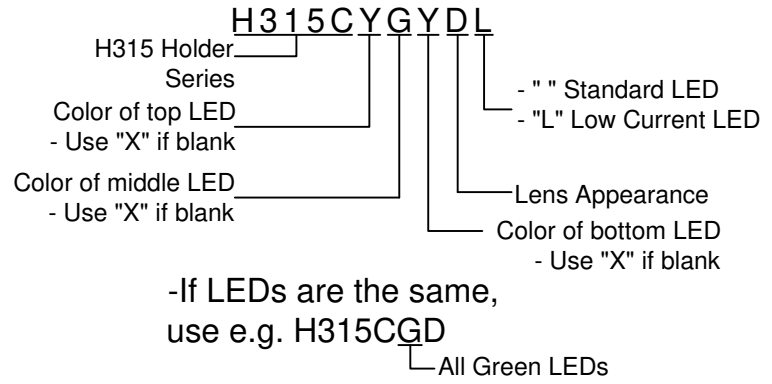


ITEM	Q'TY	PART NUMBER	PART DESCRIPTION
1	1	H-310C	T-1 (3mm) Tri-Level LED Holder, 90° Mount, Interlocking
2	3	3XX-201-S	T-1 (3mm) Extended Profile Shouldered LED, See Page 2

REV.	DESCRIPTION	DATE	APPROVED
A	Engineering Update w/o Changes	03/08/04	M. C.
B	LED Package Change to 3XX-201-S LEDs	12/14/07	M. C.
C	Typo, H315SRD should be H315CSR	06/22/12	M. C.
D	Removed Part Numbers, See Page 2	03/04/15	J. C.
E	Engineering Update w/o Changes	06/24/16	J. C.



NOTE: P/N CONFIGURATION



**ABSOLUTE MAXIMUM RATINGS (Ta=25° C)**

REVERSE VOLTAGE	5V
REVERSE CURRENT	100uA
OPERATING TEMPERATURE RANGE	-25° C - 85° C
STORAGE TEMPERATURE	-30° C - 100° C
LEAD SOLDERING TEMPERATURE(1/16" FROM BODY)	260° C FOR 5 SECONDS


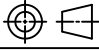
STANDARD TOLERANCE (UNLESS OTHERWISE SPECIFIED)	
DECIMALS	ANGULAR
.X ± .1	X° ± 1°
.XX ± .02	
.XXX ± .010	



DESIGNED: <b>T. Yin</b>	DATE: <b>03/08/04</b>	<b>TITLE:</b> T-1 (3MM) INTERLOCKING 90° TRI-LEVEL LED ASSY <b>PART NO:</b> H315CXX <b>CAGE CODE :</b> 32559 <b>SHEET # 1 OF 2</b>	REVISION: <b>E</b>
CHECKED: <b>D. Green</b>	DATE: <b>03/08/04</b>		CAD GENERATED DOCUMENT. DO NOT MEASURE DRAWING.

REV.	DESCRIPTION	DATE	APPROVED
	SEE SHEET #1		

LED Assy. No.	Peak Wave Length $\lambda_p$ (nm)	Emitted Color	Lens Appearance	Electro-Optical Data				Viewing Angle $2\theta \frac{1}{2}$ (Deg)	LED P/N
				If (mA)	Vf (V)		Iv (mcd)		
				TYP	TYP	MAX	TYP		
<b>STANDARD</b>				<b>Data @ 20m A</b>					
H315CBWD	430	BLUE	DIFFUSED	20	4.0	4.5	20	45	3BWD-201-S
H315CGD	565	GREEN	DIFFUSED	20	2.2	2.6	30	45	3GD-201-S
H315CYD	585	YELLOW	DIFFUSED	20	2.1	2.6	20	45	3YD-201-S
H315CHD	635	HE RED	DIFFUSED	20	2.0	2.6	30	45	3HD-201-S
H315CRD	655	RED	DIFFUSED	20	1.7	2.0	6	45	3RD-201-S
H315CSRDL	660	SUPER RED	DIFFUSED	20	2.2	2.6	90	45	3SRDL-201-S
<b>LOW CURRENT</b>				<b>Data @ 2m A</b>					
H315CGDL	565	GREEN	DIFFUSED	2	1.8	2.6	6	45	3GDL-201-S
H315CYDL	585	YELLOW	DIFFUSED	2	1.8	2.6	4	45	3YDL-201-S
H315CHDL	635	HE RED	DIFFUSED	2	1.8	2.6	6	45	3HDL-201-S

STANDARD TOLERANCE ( UNLESS OTHERWISE SPECIFIED ) $\pm 10\%$ ALL VALUES    ANGULAR		 4 THOMAS, IRVINE, CA. 92618 TEL: (949) 951-8808    FAX: (949) 951-3974	
		 <b>TITLE:</b> T-1 (3MM) INTERLOCKING 90° TRI-LEVEL LED ASSY	
DESIGNED: <b>T. Yin</b>	DATE: <b>03/08/04</b>	<b>PART NO:</b> H315CXX	REVISION: <b>E</b>
CHECKED: <b>D. Green</b>	DATE: <b>03/08/04</b>	<b>CAGE CODE :</b> 32559	<b>SHEET # 2 OF 2</b>
CAD GENERATED DOCUMENT. DO NOT MEASURE DRAWING.			