



Chipsmall Limited consists of a professional team with an average of over 10 year of expertise in the distribution of electronic components. Based in Hongkong, we have already established firm and mutual-benefit business relationships with customers from,Europe,America and south Asia,supplying obsolete and hard-to-find components to meet their specific needs.

With the principle of “Quality Parts,Customers Priority,Honest Operation,and Considerate Service”,our business mainly focus on the distribution of electronic components. Line cards we deal with include Microchip,ALPS,ROHM,Xilinx,Pulse,ON,Everlight and Freescale. Main products comprise IC,Modules,Potentiometer,IC Socket,Relay,Connector.Our parts cover such applications as commercial,industrial, and automotives areas.

We are looking forward to setting up business relationship with you and hope to provide you with the best service and solution. Let us make a better world for our industry!



## Contact us

Tel: +86-755-8981 8866 Fax: +86-755-8427 6832

Email & Skype: info@chipsmall.com Web: www.chipsmall.com

Address: A1208, Overseas Decoration Building, #122 Zhenhua RD., Futian, Shenzhen, China



# Customer Information Sheet

DRAWING No.: H3184-XX

SHEET 2 OF 2

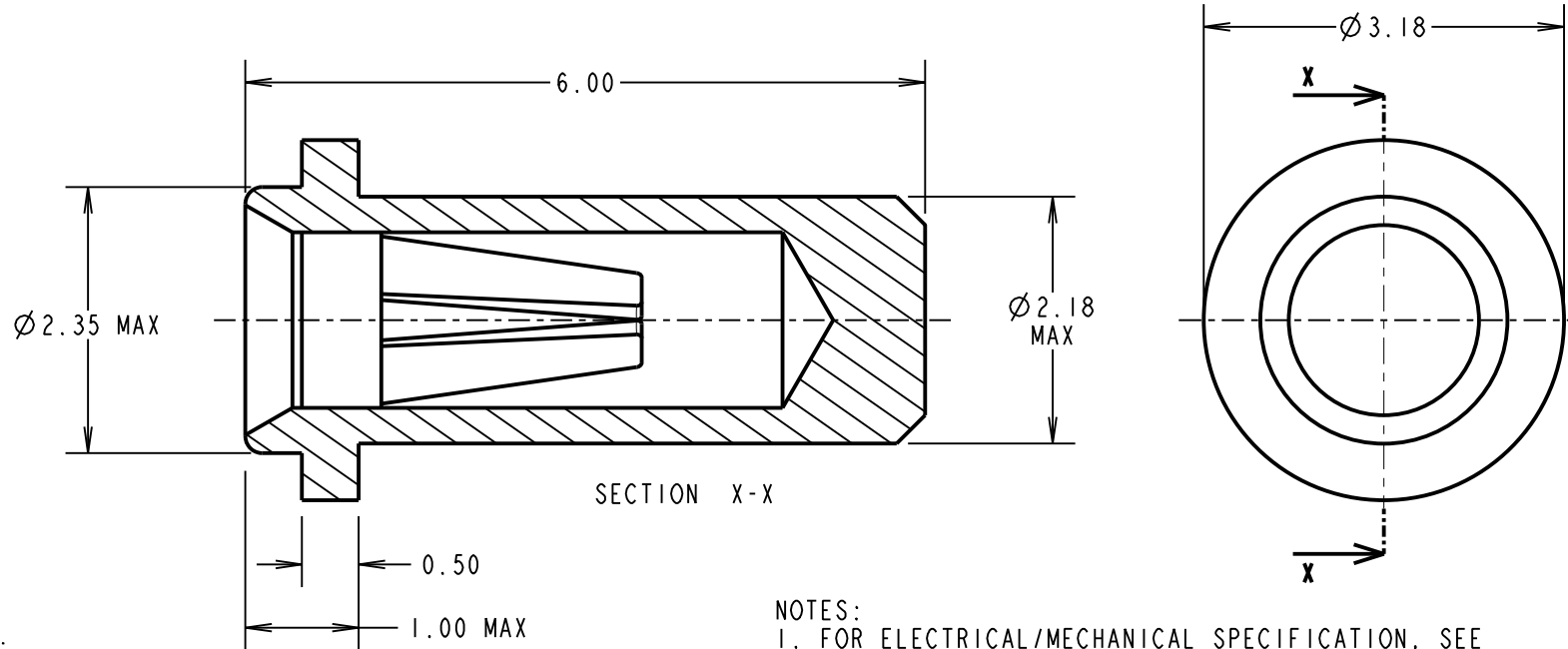
IF IN DOUBT - ASK

Ⓢ

NOT TO SCALE

THIRD ANGLE PROJECTION

ALL DIMENSIONS IN mm



**SPECIFICATION:**

**MATERIAL:**

CONTACT SHELL = BRASS  
CONTACT CLIP = BERYLLIUM COPPER

**FINISH: (ALL OVER NICKEL)**

01 = 4 $\mu$  100% TIN SHELL, 0.15 $\mu$  GOLD CLIP  
05 = 0.1 $\mu$  GOLD SHELL, 0.15 $\mu$  GOLD CLIP

**ELECTRICAL:**

CURRENT RATING AT 25°C = 10A MAX  
CURRENT RATING AT 85°C = 7.5A MAX  
CONTACT RESISTANCE (INITIAL) = 10 MILLIOHMS MAX  
CONTACT RESISTANCE (AFTER CONDITIONING) = 25 MILLIOHMS MAX

**MECHANICAL:**

INSERTION FORCE (INITIAL) = 9N MAX, 3N MIN ( $\varnothing$ 1mm GAUGE)  
WITHDRAWAL FORCE (INITIAL) = 3N MAX, 1N MIN ( $\varnothing$ 1mm GAUGE)  
DURABILITY = 1000 OPERATIONS

**ENVIRONMENTAL:**

OPERATING TEMPERATURE = -55°C TO +125°C

**NOTES:**

1. FOR ELECTRICAL/MECHANICAL SPECIFICATION, SEE COMPONENT SPECIFICATION C009XX (LATEST ISSUE).
2. MAXIMUM PIN LENGTH = 5.29mm.
3. RECOMMENDED MOUNTING HOLE SIZE =  $\varnothing$ 2.29-2.19mm.
4. RECOMMENDED PIN SIZE =  $\varnothing$ 1.05-0.90mm.
5. MAXIMUM CONTACT DEPTH = 3.90mm.

ORDER CODE:

**H3184-XX**

FINISH:

01 = 100% TIN SHELL, GOLD CLIP  
05 = GOLD SHELL, GOLD CLIP

MSP	8	21.04.17	20528
-----	---	----------	-------

NAME	ISS.	DATE	C/NOTE
------	------	------	--------

APPROVED: M. PERREN

CHECKED: S. BENNETT

DRAWN: I. SANDY

CUSTOMER REF.:

ASSEMBLY DRG:

**HARWIN**

www.harwin.com  
technical@harwin.com

THIS DRAWING AND ANY INFORMATION OR DESCRIPTIVE MATTER SET OUT HEREON ARE CONFIDENTIAL AND COPYRIGHT PROPERTY OF THE HARWIN GROUP AND MUST NOT BE DISCLOSED, LOANED, COPIED OR USED FOR MANUFACTURING, TENDERING OR FOR ANY OTHER PURPOSE WITHOUT THEIR WRITTEN PERMISSION.

**TOLERANCES**

X. =  $\pm$ 1mm  
X.X =  $\pm$ 0.50mm  
X.XX =  $\pm$ 0.10mm  
X.XXX =  $\pm$ 0.01mm

ANGLES =  $\pm$ 5°  
UNLESS STATED

**MATERIAL:**

SEE ABOVE

FINISH: SEE ABOVE

S/AREA: mm<sup>2</sup>

**TITLE:**

$\varnothing$ 1.00mm SOCKET ASSEMBLY

DRAWING NUMBER:

**H3184-XX**

SHT  
2  
OF  
2