



Chipsmall Limited consists of a professional team with an average of over 10 year of expertise in the distribution of electronic components. Based in Hongkong, we have already established firm and mutual-benefit business relationships with customers from,Europe,America and south Asia,supplying obsolete and hard-to-find components to meet their specific needs.

With the principle of “Quality Parts,Customers Priority,Honest Operation,and Considerate Service”,our business mainly focus on the distribution of electronic components. Line cards we deal with include Microchip,ALPS,ROHM,Xilinx,Pulse,ON,Everlight and Freescale. Main products comprise IC,Modules,Potentiometer,IC Socket,Relay,Connector.Our parts cover such applications as commercial,industrial, and automotives areas.

We are looking forward to setting up business relationship with you and hope to provide you with the best service and solution. Let us make a better world for our industry!



Contact us

Tel: +86-755-8981 8866 Fax: +86-755-8427 6832

Email & Skype: info@chipsmall.com Web: www.chipsmall.com

Address: A1208, Overseas Decoration Building, #122 Zhenhua RD., Futian, Shenzhen, China



Customer Information Sheet

DRAWING No.: H3191-XX

SHEET 2 OF 2

IF IN DOUBT - ASK

©

NOT TO SCALE

THIRD ANGLE PROJECTION

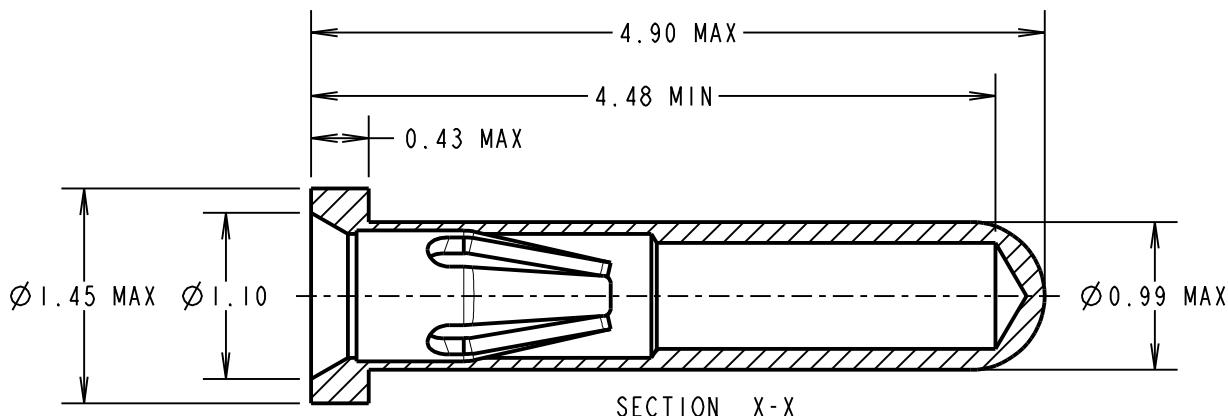
ALL DIMENSIONS IN mm

ORDER CODE:

H3191-XX

FINISH: _____

- 01 = GOLD CLIP, TIN SHELL
- 05 = GOLD CLIP, GOLD SHELL
- 46 = 100% TIN CLIP, TIN SHELL



SPECIFICATION:

MATERIAL:

CONTACT SHELL = BRASS
CONTACT CLIP = BERYLLIUM COPPER

FINISH:

- 01 = 0.1µ GOLD CLIP, 4µ TIN SHELL
- 05 = 0.1µ GOLD CLIP, 0.13µ GOLD SHELL
- 46 = 2.4µ 100% TIN CLIP, 4µ TIN SHELL

ELECTRICAL:

CURRENT RATING AT 25°C = 2A MAX
CURRENT RATING 85°C = 1.75A MAX
CONTACT RESISTANCE (INITIAL) = 15mΩ MAX
CONTACT RESISTANCE (AFTER CONDITIONING) = 25mΩ MAX

MECHANICAL:

INSERTION FORCE (Ø0.5mm GAUGE) = 6N MAX, 2N MIN
WITHDRAWAL FORCE (Ø0.5mm GAUGE) = 1.5N MAX, 0.5N MIN
DURABILITY - 01, 05 FINISH = 500 OPERATIONS
46 FINISH = 50 OPERATIONS

ENVIRONMENTAL:

OPERATING TEMPERATURE = -55°C TO + 125°C
FOR COMPLETE SPECIFICATION, SEE COMPONENT SPECIFICATION C006XX (LATEST ISSUE)

NOTES:

1. RECOMMENDED PIN LENGTH = 4.48mm MAX
2. RECOMMENDED MOUNTING HOLE = Ø1.00-1.10mm.
3. RECOMMENDED PIN SIZE = Ø0.46-0.51mm.
4. CONTACT DEPTH = 2.30mm MAX

| | | | |
|----------------|------|-----------|--------|
| MSP | 7 | 04.11.14 | 12661 |
| NAME | ISS. | DATE | C/NOTE |
| APPROVED: | | M.PERREN | |
| CHECKED: | | M.PLESTED | |
| DRAWN: | | J.CLAY | |
| CUSTOMER REF.: | | | |
| ASSEMBLY DRG: | | | |

HARWIN

www.harwin.com
technical@harwin.com

THIS DRAWING AND ANY INFORMATION OR DESCRIPTIVE MATTER SET OUT HEREON ARE CONFIDENTIAL AND COPYRIGHT PROPERTY OF THE HARWIN GROUP AND MUST NOT BE DISCLOSED, LOANED, COPIED OR USED FOR MANUFACTURING, TENDERING OR FOR ANY OTHER PURPOSE WITHOUT THEIR WRITTEN PERMISSION.

TOLERANCES

X. = ±1mm
X.X = ±0.25mm
X.XX = ±0.10mm
X.XXX = ±0.01mm

ANGLES = ±5°

UNLESS STATED

MATERIAL:

SEE ABOVE

FINISH: SEE ABOVE

S/AREA:

mm²

TITLE:

SUB-MINIATURE SOCKET ASSEMBLY

DRAWING NUMBER:

H3191-XX

SHT
2 OF 2