



Chipsmall Limited consists of a professional team with an average of over 10 year of expertise in the distribution of electronic components. Based in Hongkong, we have already established firm and mutual-benefit business relationships with customers from,Europe,America and south Asia,supplying obsolete and hard-to-find components to meet their specific needs.

With the principle of “Quality Parts,Customers Priority,Honest Operation,and Considerate Service”,our business mainly focus on the distribution of electronic components. Line cards we deal with include Microchip,ALPS,ROHM,Xilinx,Pulse,ON,Everlight and Freescale. Main products comprise IC,Modules,Potentiometer,IC Socket,Relay,Connector.Our parts cover such applications as commercial,industrial, and automotives areas.

We are looking forward to setting up business relationship with you and hope to provide you with the best service and solution. Let us make a better world for our industry!



## Contact us

Tel: +86-755-8981 8866 Fax: +86-755-8427 6832

Email & Skype: info@chipsmall.com Web: www.chipsmall.com

Address: A1208, Overseas Decoration Building, #122 Zhenhua RD., Futian, Shenzhen, China



# Customer Information Sheet

DRAWING No.: H3490-XX

SHEET 2 OF 2

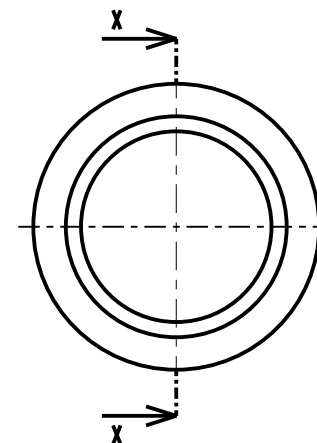
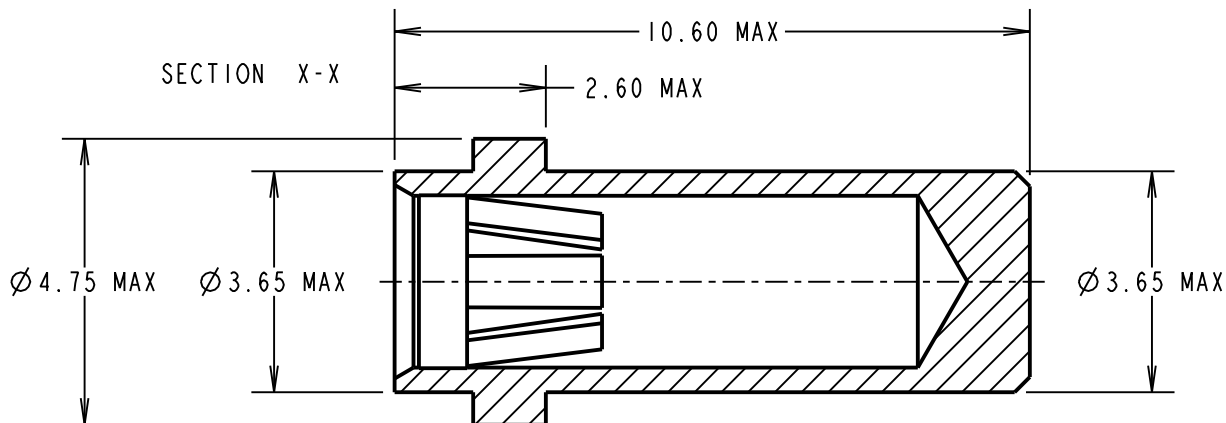
IF IN DOUBT - ASK

©

NOT TO SCALE

THIRD ANGLE PROJECTION

ALL DIMENSIONS IN mm



**SPECIFICATION:**

**MATERIALS:**

SHELL = BRASS CW614N TO BS EN 12164: 1998

CLIP = BERYLLIUM COPPER C17200 HM

**FINISH:**

01 = 0.10-0.15 $\mu$  GOLD CLIP, 3.5-5.0 $\mu$  100% TIN SHELL

05 = 0.10-0.15 $\mu$  GOLD CLIP, 0.05-0.10 $\mu$  GOLD SHELL

46 = 1.0-1.5 $\mu$  100% TIN CLIP, 3.5-5.0 $\mu$  100% TIN SHELL

**ELECTRICAL:**

CURRENT RATING = 20A MAX

CONTACT RESISTANCE = 25 MILLIOHMS MAX

**MECHANICAL:**

DURABILITY = 01 - 500 CYCLES

05 - 500 CYCLES

46 - 50 CYCLES

INSERTION FORCE ( $\varnothing$ 2.00mm GAUGE) = 6N MAX, 3N MIN

WITHDRAWAL FORCE ( $\varnothing$ 2.00mm GAUGE) = 3N MAX, IN MIN

MATING PIN SIZE =  $\varnothing$ 2.3-2.0mm

CONTACT DEPTH = 4.1mm MAX

PIN LENGTH = 8.50mm MAX

**ENVIRONMENTAL:**

TEMPERATURE RANGE = -55°C TO +125°C

FOR COMPLETE MECHANICAL AND ELECTRICAL SPECIFICATION

SEE COMPONENT SPECIFICATION C031XX (LATEST ISSUE).

**NOTES:**

1. RECOMMENDED MOUNTING HOLE =  $\varnothing$ 3.77-3.67mm

ORDER CODE:

**H3490-XX**

FINISH:

01 = GOLD CLIP, TIN SHELL

05 = GOLD CLIP, GOLD SHELL

46 = 100% TIN CLIP, TIN SHELL

MGP	7	21.05.13	12096
NAME	ISS.	DATE	C/NOTE
APPROVED: MGP			
CHECKED: SB			
DRAWN: A.LIOTTA			
CUSTOMER REF.:			
ASSEMBLY DRG:			

**HARWIN**

www.harwin.com  
technical@harwin.com

THIS DRAWING AND ANY INFORMATION OR DESCRIPTIVE MATTER SET OUT HEREON ARE CONFIDENTIAL AND COPYRIGHT PROPERTY OF THE HARWIN GROUP AND MUST NOT BE DISCLOSED, LOANED, COPIED OR USED FOR MANUFACTURING, TENDERING OR FOR ANY OTHER PURPOSE WITHOUT THEIR WRITTEN PERMISSION.

**TOLERANCES**

X. =  $\pm$ 1mm  
X.X =  $\pm$ 0.25mm  
X.XX =  $\pm$ 0.10mm  
X.XXX =  $\pm$ 0.01mm

ANGLES =  $\pm$ 5°

UNLESS STATED

**MATERIAL:**

SEE ABOVE

FINISH: SEE ABOVE

S/AREA: mm<sup>2</sup>

**TITLE:**

$\varnothing$ 2.00mm SOCKET ASSEMBLY

DRAWING NUMBER:

**H3490-XX**

SHT

2 OF 2