



Chipsmall Limited consists of a professional team with an average of over 10 year of expertise in the distribution of electronic components. Based in Hongkong, we have already established firm and mutual-benefit business relationships with customers from,Europe,America and south Asia,supplying obsolete and hard-to-find components to meet their specific needs.

With the principle of “Quality Parts,Customers Priority,Honest Operation,and Considerate Service”,our business mainly focus on the distribution of electronic components. Line cards we deal with include Microchip,ALPS,ROHM,Xilinx,Pulse,ON,Everlight and Freescale. Main products comprise IC,Modules,Potentiometer,IC Socket,Relay,Connector.Our parts cover such applications as commercial,industrial, and automotives areas.

We are looking forward to setting up business relationship with you and hope to provide you with the best service and solution. Let us make a better world for our industry!



Contact us

Tel: +86-755-8981 8866 Fax: +86-755-8427 6832

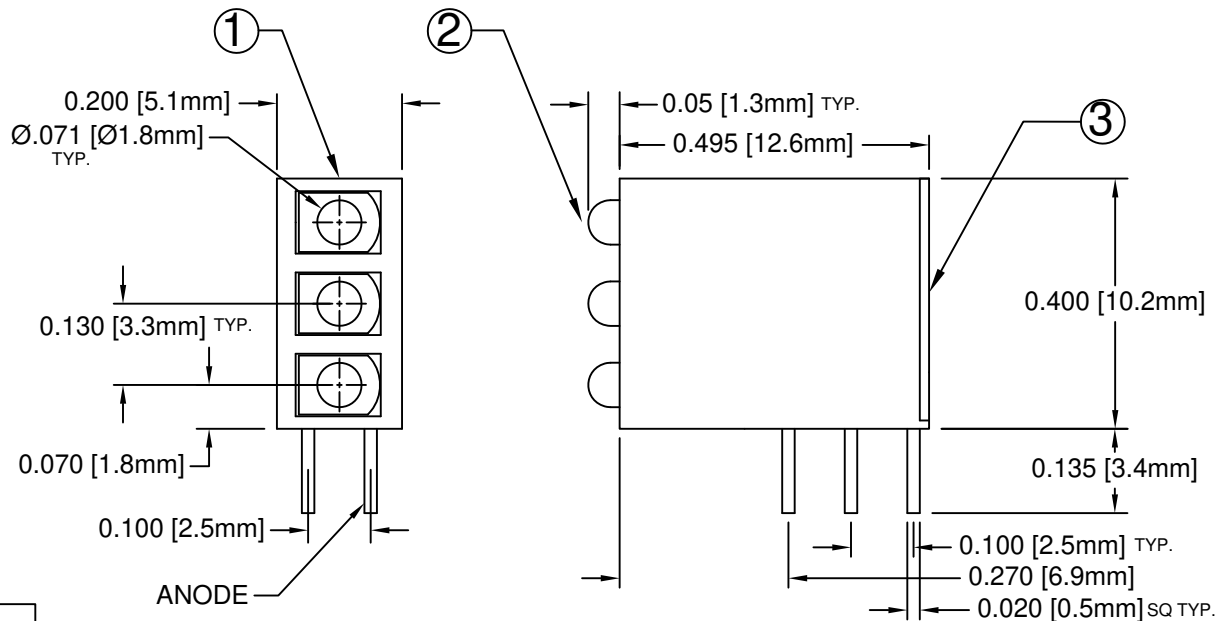
Email & Skype: info@chipsmall.com Web: www.chipsmall.com

Address: A1208, Overseas Decoration Building, #122 Zhenhua RD., Futian, Shenzhen, China



ITEM	Q'TY	PART NUMBER	PART DESCRIPTION
1	1	H-381C	Tri-Level Sub-Miniature (1.8mm) LED 90° Holder
2	3	1.8XXX	1.8 Sub-Miniature Radial LED, See Page 2
3	1	BCH-1020	Backplate

REV.	DESCRIPTION	DATE	APPROVED
C	Added Backplate Feature	10/15/07	M. C.
D	Updated Item Number on Model	01/04/08	M. C.
E	Updated Part Number Designation	08/28/08	M. C.
F	Added 1.8BWD Specs	09/12/08	M. C.
G	Engineering Update w/o Changes	06/24/16	J. C.



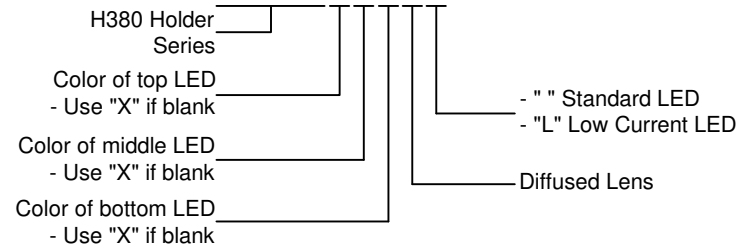
ANODE



DIN 41494 COMPATIBLE
REVERSE POLARITY

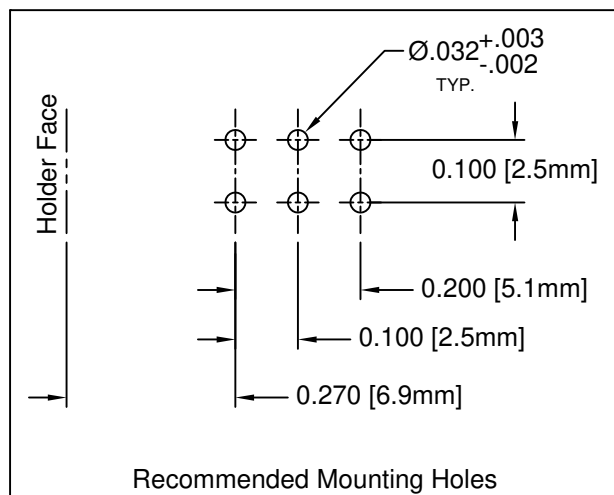
NOTE: P/N DESIGNATION

H380CXXXDX



-If LEDs are the same,
use e.g. H380CGD

All Green LEDs



Recommended Mounting Holes


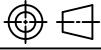
ABSOLUTE MAXIMUM RATINGS (Ta=25° C)

REVERSE VOLTAGE	5V
REVERSE CURRENT	100uA
OPERATING TEMPERATURE RANGE	-40° C - 80° C
STORAGE TEMPERATURE	-40° C - 100° C
LEAD SOLDERING TEMPERATURE(1/16" FROM BODY)	260° C FOR 5 SECONDS

STANDARD TOLERANCE (UNLESS OTHERWISE SPECIFIED)		BIVAR®	
DECIMALS	ANGULAR	4 THOMAS, IRVINE, CA. 92618	
.X ± .1	X° ± 1°	TEL: (949) 951-8808 FAX: (949) 951-3974	
.XX ± .02		TITLE: SUB-MINIATURE (1.8MM) 90° TRI-LEVEL LED ASSEMBLY	
.XXX ± .010			
DESIGNED: T. Yin	DATE: 03/08/04	PART NO: H380CXX	REVISION: G
CHECKED: D. Green	DATE: 03/08/04	CAGE CODE : 32559	SHEET # 1 OF 2
CAD GENERATED DOCUMENT. DO NOT MEASURE DRAWING.			

REV.	DESCRIPTION	DATE	APPROVED
	SEE SHEET #1		

LED Assy. No.	Peak Wave Length λ_p (nm)	Emitted Color	Lens Appearance	Electro-Optical Data @ 20 mA				Viewing Angle $2\theta \frac{1}{2}$ (Deg)	LED P/N
				If (mA)	Vf (V)		Iv (mcd)		
				TYP	TYP	MAX	TYP		
H380CBWD	430	BLUE	DIFFUSED	20	4.0	4.5	10	50	1.8BWD
H380CGD	568	GREEN	DIFFUSED	20	2.1	2.8	20	50	1.8GD
H380CYD	590	YELLOW	DIFFUSED	20	2.0	2.8	10	50	1.8YD
H380CHD	625	HE RED	DIFFUSED	20	2.0	2.8	20	50	1.8HD
H380CAD	605	AMBER	DIFFUSED	20	2.0	2.8	20	50	1.8AD
LOW CURRENT				Data @ 2 mA					
H380CGDL	568	GREEN	DIFFUSED	2	2.1	2.6	2.0	50	1.8GDL
H380CYDL	590	YELLOW	DIFFUSED	2	2.0	2.6	2.0	50	1.8YDL
H380CHDL	625	HE RED	DIFFUSED	2	2.0	2.6	2.0	50	1.8HDL

STANDARD TOLERANCE (UNLESS OTHERWISE SPECIFIED) $\pm 10\%$ ALL VALUES ANGULAR		 4 THOMAS, IRVINE, CA. 92618 TEL: (949) 951-8808 FAX: (949) 951-3974	
		 TITLE: SUB-MINIATURE (1.8MM) 90° TRI-LEVEL LED ASSEMBLY	
DESIGNED: T. Yin	DATE: 03/08/04	PART NO: H380CXX	REVISION: G
CHECKED: D. Green	DATE: 03/08/04	CAGE CODE : 32559	SHEET # 2 OF 2
CAD GENERATED DOCUMENT. DO NOT MEASURE DRAWING.			