



Chipsmall Limited consists of a professional team with an average of over 10 year of expertise in the distribution of electronic components. Based in Hongkong, we have already established firm and mutual-benefit business relationships with customers from,Europe,America and south Asia,supplying obsolete and hard-to-find components to meet their specific needs.

With the principle of “Quality Parts,Customers Priority,Honest Operation,and Considerate Service”,our business mainly focus on the distribution of electronic components. Line cards we deal with include Microchip,ALPS,ROHM,Xilinx,Pulse,ON,Everlight and Freescale. Main products comprise IC,Modules,Potentiometer,IC Socket,Relay,Connector.Our parts cover such applications as commercial,industrial, and automotives areas.

We are looking forward to setting up business relationship with you and hope to provide you with the best service and solution. Let us make a better world for our industry!



Contact us

Tel: +86-755-8981 8866 Fax: +86-755-8427 6832

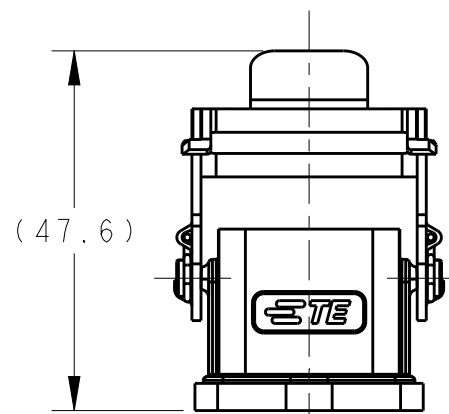
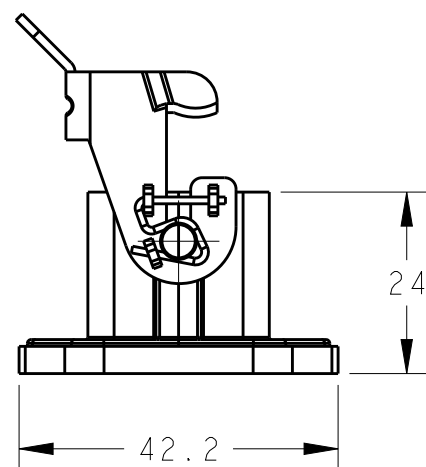
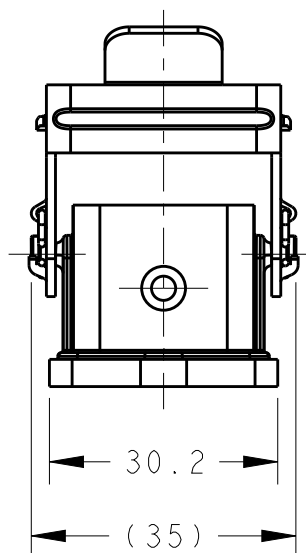
Email & Skype: info@chipsmall.com Web: www.chipsmall.com

Address: A1208, Overseas Decoration Building, #122 Zhenhua RD., Futian, Shenzhen, China



REVISIONS

P	LTR	DESCRIPTION	DATE	DWN	APVD
	A	INITIAL	14JAN2015	DW	CW

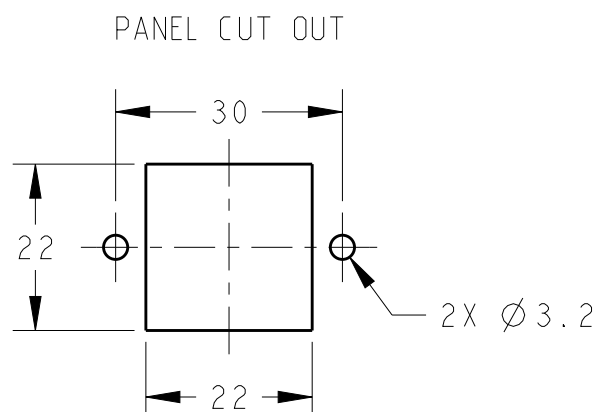
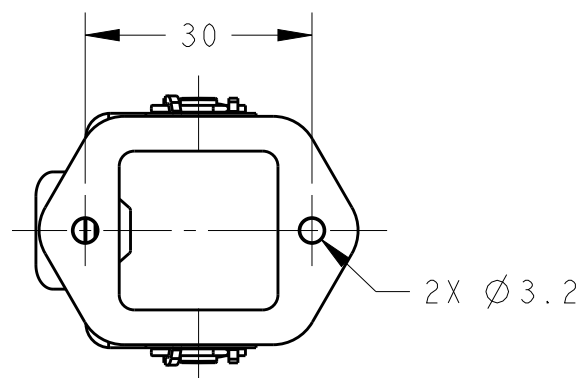


NOTES:

- 1. TECHNICAL CHARACTERISTICS:
 HOUSING MATERIAL: DIE CAST ZINC ALLOY
 SURFACE: POWDER COATED, RAL7037
 SEAL MATERIAL: NBR
 OPERATION TEMPERATURE: -40-+125°C
 DEGREE OF PROTECTION: IP65 (MATED)

注释:

- 1. 技术参数:
 下壳材料: 锌合金
 表面处理: 粉末涂层, RAL7037
 密封材料: NBR
 工作温度: -40-+125°C
 防护等级: IP65(配合)



H3A-MAG	T1509030000-000
DESCRIPTION	PART NUMBER

THIS DRAWING IS A CONTROLLED DOCUMENT.

DIMENSIONS:	TOLERANCES UNLESS OTHERWISE SPECIFIED:
mm	
	0 PLC ±-
	1 PLC ±-
	2 PLC ±-
	3 PLC ±-
	4 PLC ±-
	ANGLES ±-
MATERIAL	FINISH
-	-
-	-

DWN	14JAN2015
David Wang	
CHK	14JAN2015
Chris Wang	
APVD	14JAN2015
Xiang Xu	
PRODUCT SPEC	108-137012
APPLICATION SPEC	114-137012
WEIGHT	-
Customer Drawing	

TE Connectivity		NAME		RESTRICTED TO
		H3A-MAG		
SIZE	CAGE CODE	DRAWING NO	RESTRICTED TO	
A3	00779	©-T1509030000000	-	
SCALE		SHEET	OF	REV
1:1		1	1	A