

Chipsmall Limited consists of a professional team with an average of over 10 year of expertise in the distribution of electronic components. Based in Hongkong, we have already established firm and mutual-benefit business relationships with customers from,Europe,America and south Asia,supplying obsolete and hard-to-find components to meet their specific needs.

With the principle of “Quality Parts,Customers Priority,Honest Operation,and Considerate Service”,our business mainly focus on the distribution of electronic components. Line cards we deal with include Microchip,ALPS,ROHM,Xilinx,Pulse,ON,Everlight and Freescale. Main products comprise IC,Modules,Potentiometer,IC Socket,Relay,Connector.Our parts cover such applications as commercial,industrial, and automotives areas.

We are looking forward to setting up business relationship with you and hope to provide you with the best service and solution. Let us make a better world for our industry!



## Contact us

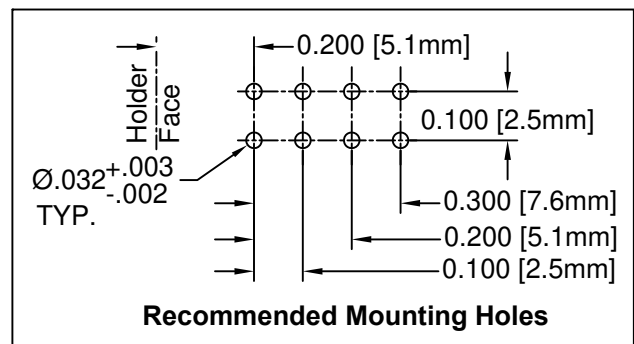
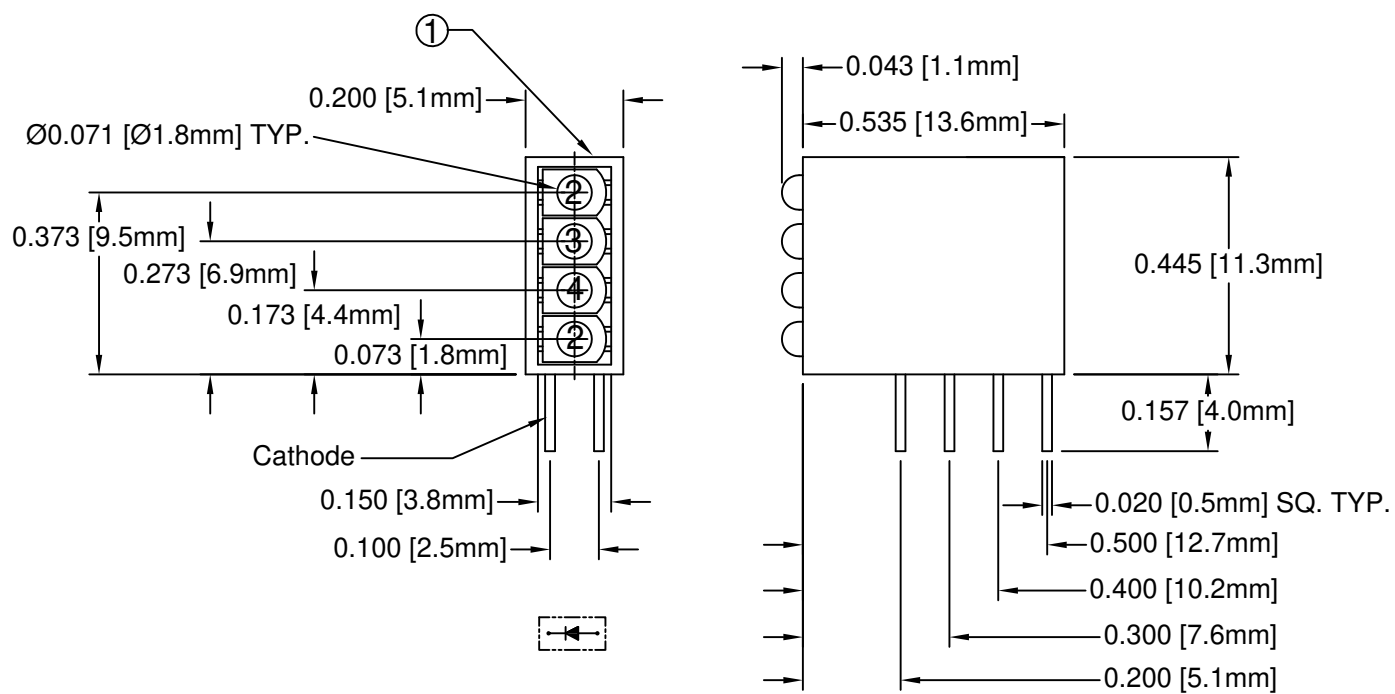
Tel: +86-755-8981 8866 Fax: +86-755-8427 6832

Email & Skype: info@chipsmall.com Web: www.chipsmall.com

Address: A1208, Overseas Decoration Building, #122 Zhenhua RD., Futian, Shenzhen, China

ITEM	QTY	PART NUMBER	PART DESCRIPTION
1	1	H-485C	Quad-Level Sub-Miniature (1.8mm) LED 90° Holder
2	2	1.8YD	Small Footprint, Radial Lead Orientation (1.8mm)
3	1	1.8GD	Small Footprint, Radial Lead Orientation (1.8mm)
4	1	1.8RD	Small Footprint, Radial Lead Orientation (1.8mm)

REV.	DESCRIPTION	DATE	APPROVED
A	Engineering Release.	06/01/06	M. C.
B	Typo Correction	04/22/16	J. C.



LED Part No.	Chip			Lens Appearance	Absolute Max. Ratings				Electro-Optical Data @ 20mA			Viewing Angle (Deg)
	Material	Peak Wave Length $\lambda_p$ (nm)	Emitted Color		$\Delta\lambda$ (nm)	Pd (mW)	If (mA)	Peak If (mA)	Vf (V)		Iv (mcd)	
									TYP	MAX	TYP	
1.8YD	GaAsP/GaP	585	YELLOW	DIFFUSED	35	80	30	150	2.1	2.6	4.5	70
1.8GD	GaP/GaP	565	GREEN	DIFFUSED	30	80	30	150	2.2	2.6	5.0	70
1.8RD	GaP/GaP	700	RED	DIFFUSED	100	45	20	80	2.1	2.8	2.0	70

## ABSOLUTE MAXIMUM RATINGS (Ta = 25°C)

- REVERSE VOLTAGE \_\_\_\_\_ 5V
- REVERSE CURRENT (VR=5V) \_\_\_\_\_ 100 $\mu$ A
- OPERATING TEMPERATURE RANGE \_\_\_\_\_ -25°C ~ 85°C
- STORAGE TEMPERATURE \_\_\_\_\_ -30°C ~ 100°C
- LEAD SOLDERING TEMPERATURE (1/16" FROM BODY) \_\_\_\_\_ 260°C for 5 Seconds

STANDARD TOLERANCE (UNLESS OTHERWISE SPECIFIED)		 4 THOMAS, IRVINE, CA. 92618 TEL: (949) 951-8808 FAX: (949) 951-3974	
DECIMALS	ANGULAR		
.X $\pm$ .1	X° $\pm$ 1°	 <b>TITLE:</b> Sub-Miniature (1.8mm) RP 90° Quad-Level LED Assembly	
.XX $\pm$ .02			
.XXX $\pm$ .010			
DESIGNED: <b>Sonny Dam</b>	DATE: <b>06/01/06</b>	<b>PART NO:</b> <b>H485CYGRYD-RP</b>	REVISION: <b>B</b>
CHECKED: <b>T. Yin</b>	DATE: <b>06/01/06</b>	<b>CAGE CODE :</b> 32559	<b>SHEET #</b> 1 OF 1
CAD GENERATED DOCUMENT. DO NOT MEASURE DRAWING.			