



Chipsmall Limited consists of a professional team with an average of over 10 year of expertise in the distribution of electronic components. Based in Hongkong, we have already established firm and mutual-benefit business relationships with customers from,Europe,America and south Asia,supplying obsolete and hard-to-find components to meet their specific needs.

With the principle of "Quality Parts,Customers Priority,Honest Operation,and Considerate Service",our business mainly focus on the distribution of electronic components. Line cards we deal with include Microchip,ALPS,ROHM,Xilinx,Pulse,ON,Everlight and Freescale. Main products comprise IC,Modules,Potentiometer,IC Socket,Relay,Connector.Our parts cover such applications as commercial,industrial, and automotives areas.

We are looking forward to setting up business relationship with you and hope to provide you with the best service and solution. Let us make a better world for our industry!



Contact us

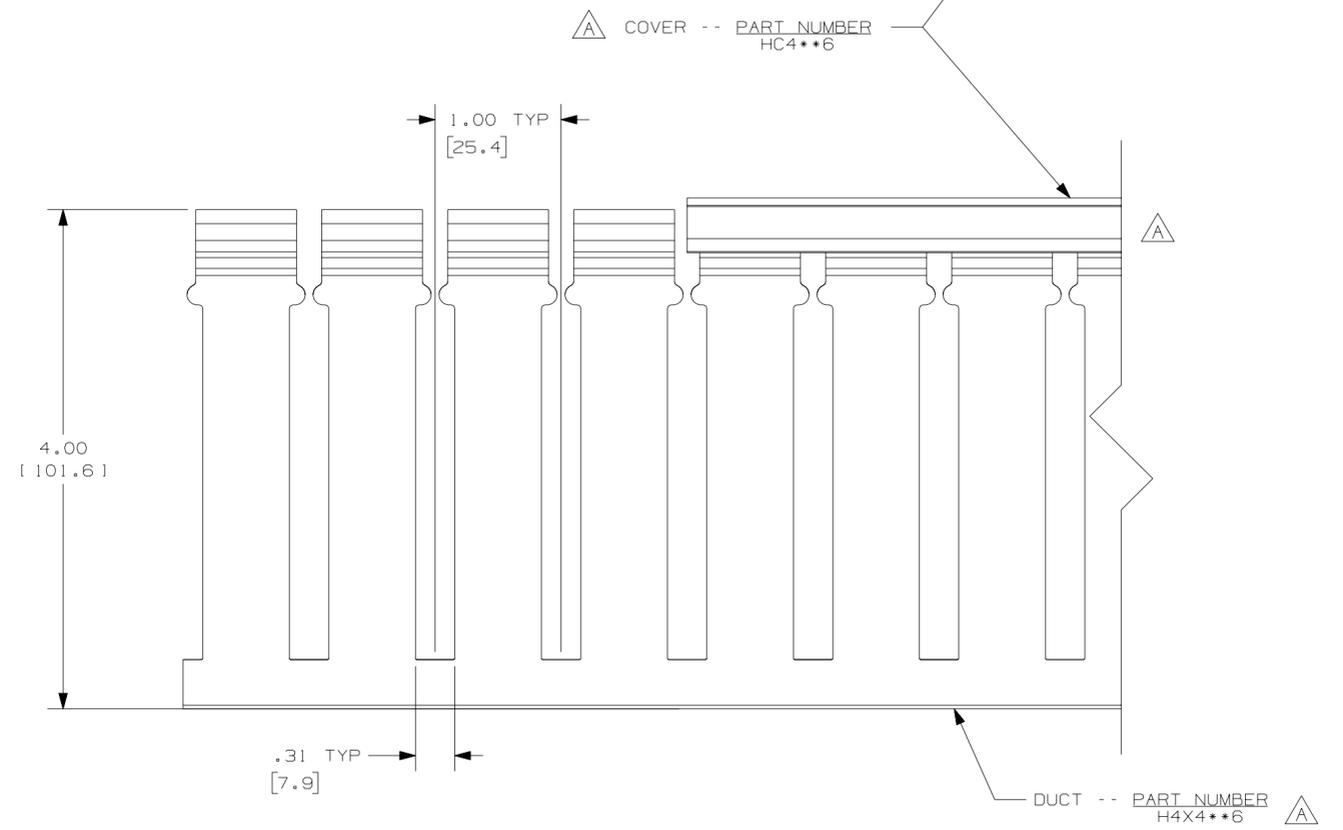
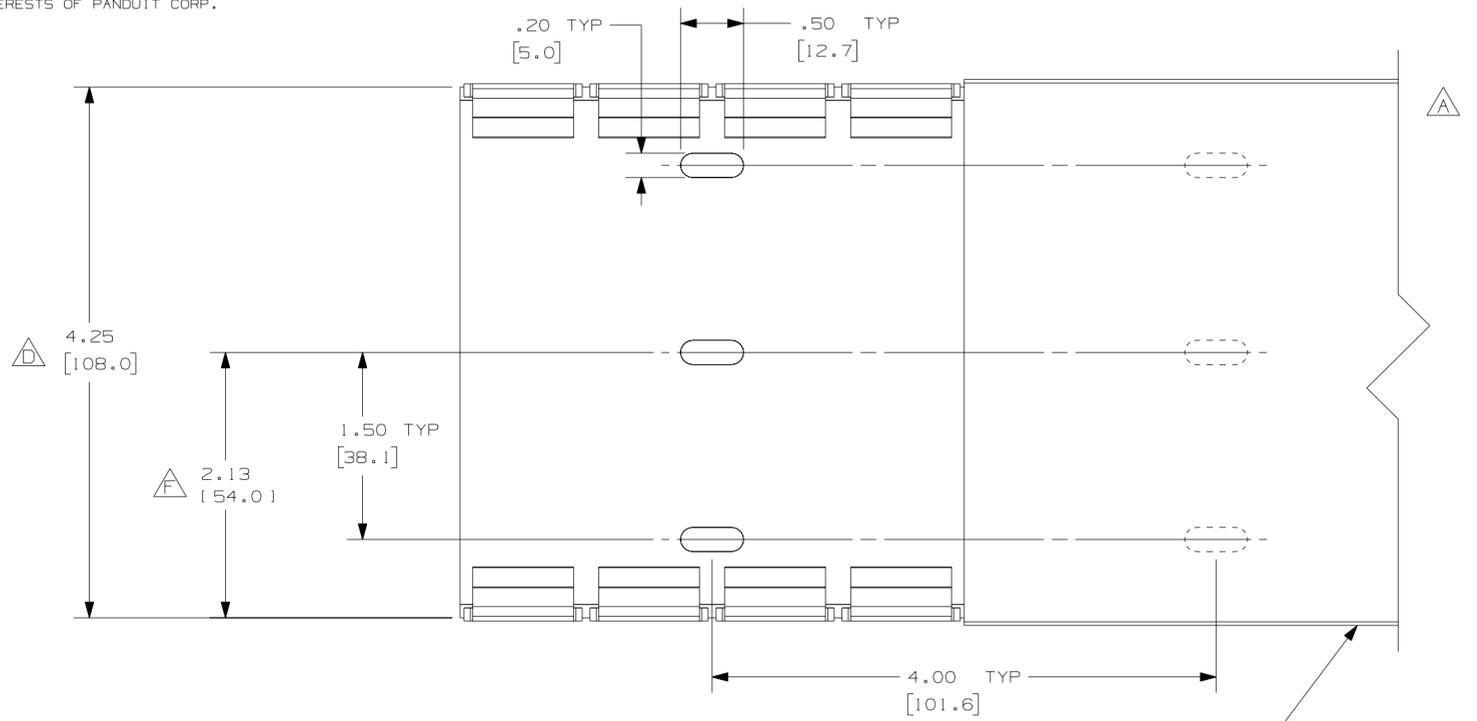
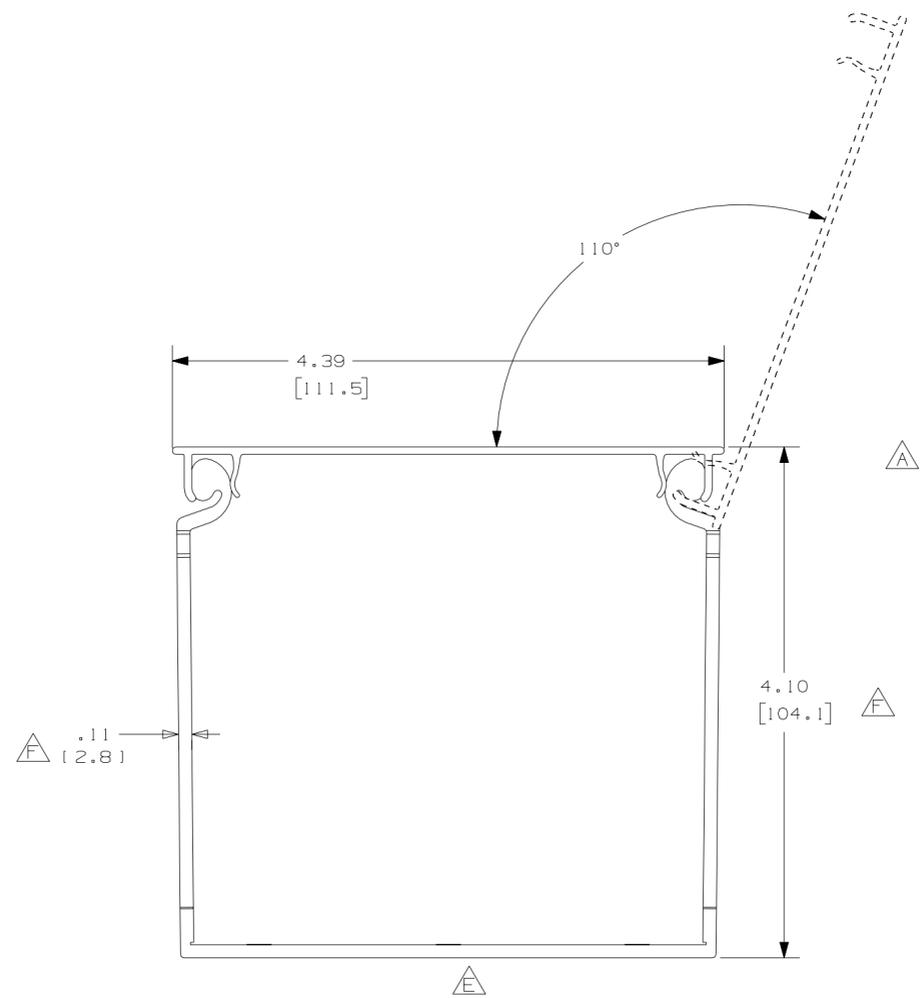
Tel: +86-755-8981 8866 Fax: +86-755-8427 6832

Email & Skype: info@chipsmall.com Web: www.chipsmall.com

Address: A1208, Overseas Decoration Building, #122 Zhenhua RD., Futian, Shenzhen, China



THIS COPY IS PROVIDED ON A RESTRICTED BASIS AND IS NOT TO BE USED IN ANY WAY DETRIMENTAL TO THE INTERESTS OF PANDUIT CORP.



COVER -- PART NUMBER
HC4**6

DUCT -- PART NUMBER
H4X4**6



NOTES:

1. ALL DIMENSIONS ARE REFERENCE ONLY.
2. DIMENSIONS IN PARENTHESIS ARE METRIC.
3. THE ** DENOTE COLOR.
4. DUCT AND COVER ARE AVAILABLE IN 6 FT [1828.8] LENGTHS.

REV	DATE	BY	CHK	DESCRIPTION
3	8/3/07	JCST	MKBE	G. ADDED LENGTH NOTE F. CORRECTED DIMENSIONS
2	4/8/05	JCST	MKBE	E. DELETED DIMENSION D. ADDED DIMENSION
1	7/1/04	JCST	MKBE	C. MODIFIED DRAWING
R	3/14/03	JCST	JGG	B. CHANGED DRAWING SIZE - (WAS TWO SHEETS) A. CHANGED AND VIEWS, NOTES, AND LABELS
				DRAWING RELEASED

CAD FILENAME/LAYERS: D110000T_DC_01C

PANDUIT CORP. TINLEY PARK, ILLINOIS

WIRING DUCT - TYPE H DUCT WITH COVER
4x4
MARKETING DRAWING

DRAWN BY: JCST	MAT'L: PVC	SCALE: FULL
DATE: 3/14/03	CHECKED BY: JGG	DWG NO.: 36897-722
		DWG SIZE: C