



Chipsmall Limited consists of a professional team with an average of over 10 year of expertise in the distribution of electronic components. Based in Hongkong, we have already established firm and mutual-benefit business relationships with customers from,Europe,America and south Asia,supplying obsolete and hard-to-find components to meet their specific needs.

With the principle of “Quality Parts,Customers Priority,Honest Operation,and Considerate Service”,our business mainly focus on the distribution of electronic components. Line cards we deal with include Microchip,ALPS,ROHM,Xilinx,Pulse,ON,Everlight and Freescale. Main products comprise IC,Modules,Potentiometer,IC Socket,Relay,Connector.Our parts cover such applications as commercial,industrial, and automotives areas.

We are looking forward to setting up business relationship with you and hope to provide you with the best service and solution. Let us make a better world for our industry!



Contact us

Tel: +86-755-8981 8866 Fax: +86-755-8427 6832

Email & Skype: info@chipsmall.com Web: www.chipsmall.com

Address: A1208, Overseas Decoration Building, #122 Zhenhua RD., Futian, Shenzhen, China



PRODUCT NUMBER	PITCH
H5xx70x200J0G	5.00 mm

Dimension

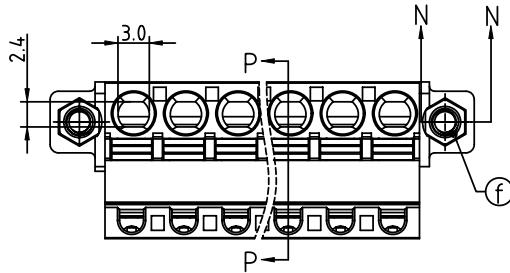
DIM A	$N \times 5.0 + 0.10$
DIM B	$(N-1) \times 5.0$
DIM C	$(N-1) \times 5.0 + 10.0$
DIM D	$N \times 5.0 + 10.6$
DIM E	$N \times 5.0 + 0.4$

N=Number of poles

POLES	Tolerance
2p-6p	± 0.15
7p-12p	± 0.20
13p-16p	± 0.30
17p-24p	± 0.40

PART NO.: H5 xx 7 0 x 2 00J0 G

Solid block	0	Color	Black (RAL9005)	RoHS compliant	(lead<4%)
No. of poles	2		Red (RAL3001/D)	In copper Alloy	
02 2 poles	3		Orange(RAL2011/P)		
03 3 poles	4		Yellow(RAL1018/A)		
...	5		Green(RAL6018/T)		
24 24 poles	6		Blue (RAL5015/A)		
	8		Grey(RAL7035/D)		
	9		White(RAL1102)		
	C		Green(RAL6018/U)		



Material:

- Item (a) Top body: Thermoplastic (UL94V-0)
- Item (b) Bottom body: Thermoplastic (UL94V-0)
- Item (c) Terminal lever: Thermoplastic (UL94V-0) Orange (RAL2001/P)
- Item (d) Spring clamp: Stainless Steel
- Item (e) Male contact pin: PhBz (CuSn) Tin plated
- Item (f) Flange Nut; Brass M2.5

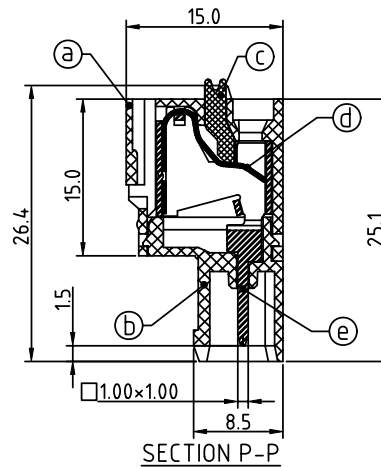
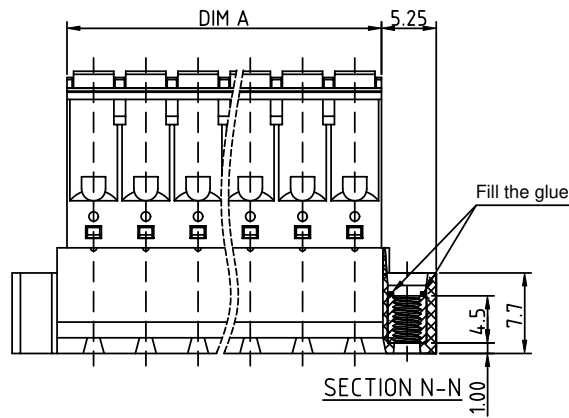
Electrical

- Voltage rating: 300V
- Current rating: 10A
- Solid wire(AWG): 12-26
- Stranded wire(AWG): 12-26
- Wire strip length: 9-10mm
- Withstanding Voltage: 1.6KV
- Operating temperature: -40°C to +115°C
- Safety Approval: cULus

cULus

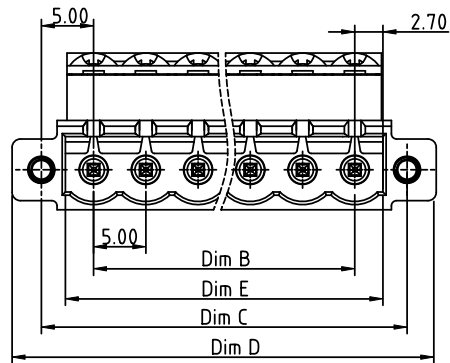
A

A



B

B



mat'l. code		surface ASME Y14.5 ✓	tolerance ASME Y14.5	projection 	product family TERMINAL BLOCK
ltr	ecn no	dr	date	tolerances unless otherwise specified	title TERMINAL BLOCK SPRING CLAMP PLUGGABLE PLUG MALE CONNECTOR FLANGE WITH NUT
				angles X.X±0.5 X.X±0.3 X'±1"	
				scale MM	dwg no H5xx70x200J0G sheet 1 of 1 size A4
				FCI logo	
sheet index	revision sheet	A	1	appd SHI JUN 051614	type CUSTOMER Drawing