



Chipsmall Limited consists of a professional team with an average of over 10 year of expertise in the distribution of electronic components. Based in Hongkong, we have already established firm and mutual-benefit business relationships with customers from,Europe,America and south Asia,supplying obsolete and hard-to-find components to meet their specific needs.

With the principle of “Quality Parts,Customers Priority,Honest Operation,and Considerate Service”,our business mainly focus on the distribution of electronic components. Line cards we deal with include Microchip,ALPS,ROHM,Xilinx,Pulse,ON,Everlight and Freescale. Main products comprise IC,Modules,Potentiometer,IC Socket,Relay,Connector.Our parts cover such applications as commercial,industrial, and automotives areas.

We are looking forward to setting up business relationship with you and hope to provide you with the best service and solution. Let us make a better world for our industry!



Contact us

Tel: +86-755-8981 8866 Fax: +86-755-8427 6832

Email & Skype: info@chipsmall.com Web: www.chipsmall.com

Address: A1208, Overseas Decoration Building, #122 Zhenhua RD., Futian, Shenzhen, China



PRODUCT NUMBER	PITCH
H5xx10x100J0G	3.50 mm

Dimension

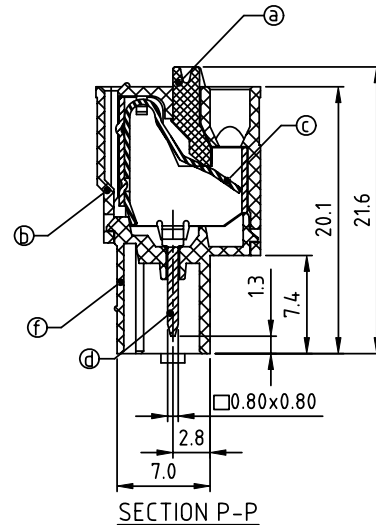
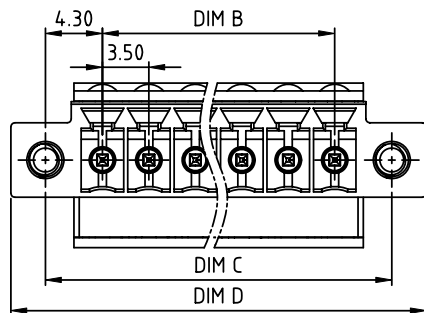
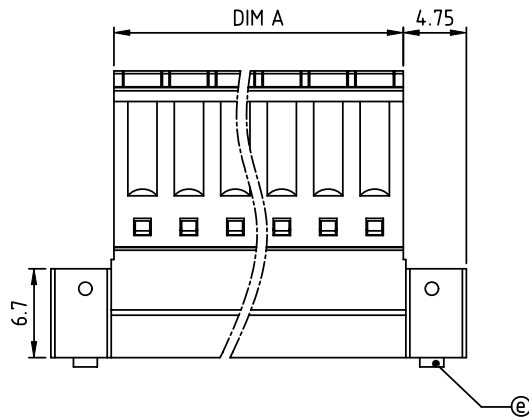
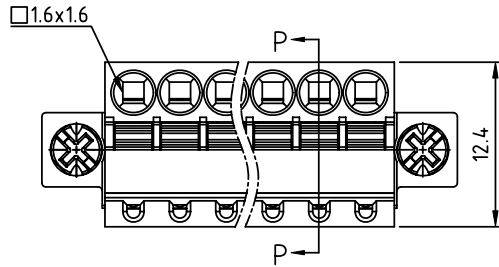
DIM A	(N-1)×3.5+4.3
DIM B	(N-1)×3.5
DIM C	(N-1)×3.5+8.6
DIM D	(N-1)×3.5+13.8

N=Number of poles

POLES	Dim A&Dim B	Dim C&Dim D
2p-6p	±0.10	±0.15
7p-12p	±0.15	±0.20
13p-18p	±0.20	±0.30
19p-24p	±0.30	±0.40

PART NO.: H5 xx 1 0 x 1 00J0 G

Solid block No. of poles 02 2 poles 03 3 poles 24 24 poles	Color 0 Black (RAL9005) 2 Red (RAL3001/D) 3 Orange(RAL2011/P) 4 Yellow(RAL1018/A) 5 Green(RAL6018/T) 6 Blue (RAL5015/A) 8 Grey(RAL7035/D) 9 White(RAL1102) C Green(RAL6018/U)	RoHS compliant (lead<4%) In copper Alloy
--	--	--



Material:

- Item① Terminal lever: Thermoplastic (UL94V-0) Orange (RAL2001/P)
- Item② Top body: Thermoplastic (UL94V-0)
- Item③ Spring clamp: Stainless steel
- Item④ Male contact pin: Phbz.Tin plated
- Item⑤ Flange screw: solt "+/-" combination zinc plated M2.5
- Item⑥ Bottom body: Thermoplastic (UL94V-0)

Electrical:

- Voltage rating: 300 V
- Current rating: 4A
- Wire range:
- Solid wire(AWG): 16-28
- Stranded wire(AWG): 16-28
- Wire strip length: 9-10mm
- Withstanding Voltage: 1.6 KV
- Operating temperature: -40°C to +115°C
- Safety Approval:

mat'l. code	surface ASME Y14.5	tolerance ASME Y14.5	projection	product family
ltr	ecn no	dr	date	TERMINAL BLOCK
			MM	title
			scale	TERMINAL BLOCK SPRING CLAMP, PLUGGABLE PLUG MALE CONNECTOR, FLANGE WITH SCREW
				dwg no
				sheet 1 of 1 size
				A4
				type
			CUSTOMER Drawing	
sheet index	revision sheet	A	1	