



Chipsmall Limited consists of a professional team with an average of over 10 year of expertise in the distribution of electronic components. Based in Hongkong, we have already established firm and mutual-benefit business relationships with customers from,Europe,America and south Asia,supplying obsolete and hard-to-find components to meet their specific needs.

With the principle of "Quality Parts,Customers Priority,Honest Operation,and Considerate Service",our business mainly focus on the distribution of electronic components. Line cards we deal with include Microchip,ALPS,ROHM,Xilinx,Pulse,ON,Everlight and Freescale. Main products comprise IC,Modules,Potentiometer,IC Socket,Relay,Connector.Our parts cover such applications as commercial,industrial, and automotives areas.

We are looking forward to setting up business relationship with you and hope to provide you with the best service and solution. Let us make a better world for our industry!



Contact us

Tel: +86-755-8981 8866 Fax: +86-755-8427 6832

Email & Skype: info@chipsmall.com Web: www.chipsmall.com

Address: A1208, Overseas Decoration Building, #122 Zhenhua RD., Futian, Shenzhen, China



PRODUCT NUMBER	PITCH
H5xx50x100J0G	5.08 mm

Dimension

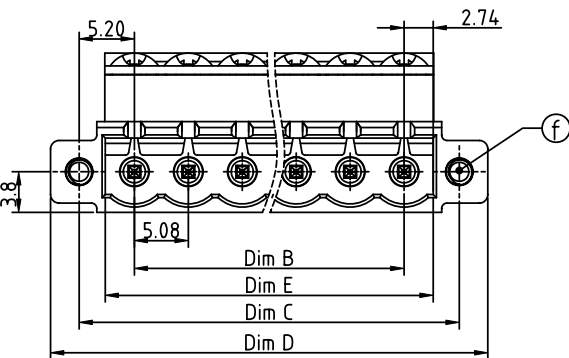
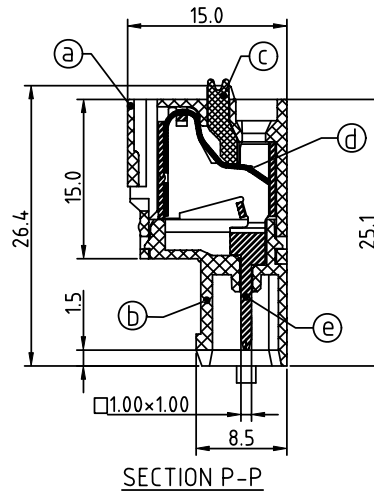
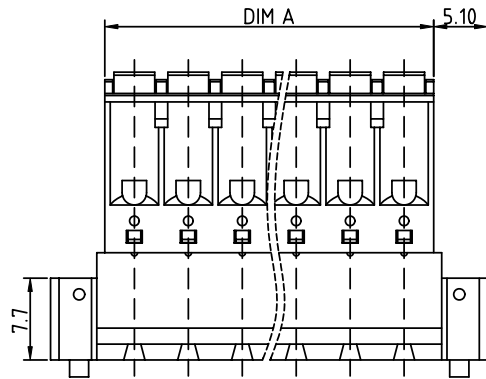
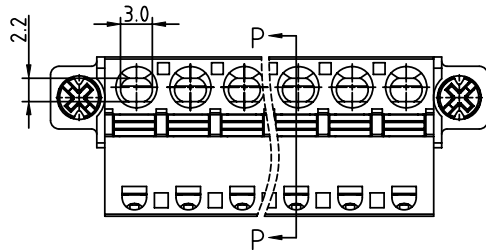
DIM A	N×5.08+0.5
DIM B	(N-1)×5.08
DIM C	(N-1)×5.08+10.4
DIM D	N×5.08+10.7
DIM E	N×5.08+0.4

N=Number of poles

POLES	Tolerance
2p-6p	±0.15
7p-12p	±0.20
13p-16p	±0.30
17p-24p	±0.40

PART NO.: H5 xx 5 0 x 1 00J0 G

Solid block	0	Black (RAL9005)	RoHS compliant (lead<4%) In copper Alloy
No. of poles	2	Red (RAL3001/D)	
02	2 poles	3	Orange(RAL2011/P)
03	3 poles	4	Yellow(RAL1018/A)
...	...	5	Green(RAL6018/T)
24	24 poles	6	Blue (RAL5015/A)
		8	Grey(RAL7035/D)
		9	White(RAL1102)
		C	Green(RAL6018/U)



Material:

- Item@Top body:Thermoplastic(UL94V-0)
- Item@Bottom body:Thermoplastic(UL94V-0)
- Item@Terminal lever:Thermoplastic(UL94V-0) Orange (RAL2001/P)
- Item@Spring clamp:Stainless Steel
- Item@Male contact pin:PhBz (CuSn)Tin plated
- Item@Flange screw:Steel Zinc plating M2.5 "+/-"combination type

Electrical

- Voltage rating: 300V
- Current rating: 10A
- Solid wire(AWG): 12-26
- Stranded wire(AWG): 12-26
- Wire strip length: 9-10mm
- Withstanding Voltage: 1.6KV
- Operating temperature: -40°C to +115°C
- Safety Approval: cULus

cULus

mat'l. code	surface ASME Y14.5	tolerance ASME Y14.5	projection	product family			
ltr	ecn	no	dr	date	tolerances unless otherwise specified	MM	TERMINAL BLOCK
					angles	scale	title
					X±0.5		TERMINAL BLOCK
					X.X±0.3		SPRING CLAMP, PLUGGABLE PLUG
					X*±1"		MALE CONNECTOR, FLANGE WITH SCREW
					dr	ENGR	FCI
					EVIN ZHONG	051714	dwg no
					ENGR	EVIN ZHONG	051714
					chr	HANKE FENG	051714
					appd	SHI JUN	051714
sheet index	revision	A					sheet 1 of 1
	sheet	1					size A4
							H5xx50x100J0G
							type CUSTOMER Drawing