



Chipsmall Limited consists of a professional team with an average of over 10 year of expertise in the distribution of electronic components. Based in Hongkong, we have already established firm and mutual-benefit business relationships with customers from,Europe,America and south Asia,supplying obsolete and hard-to-find components to meet their specific needs.

With the principle of “Quality Parts,Customers Priority,Honest Operation,and Considerate Service”,our business mainly focus on the distribution of electronic components. Line cards we deal with include Microchip,ALPS,ROHM,Xilinx,Pulse,ON,Everlight and Freescale. Main products comprise IC,Modules,Potentiometer,IC Socket,Relay,Connector.Our parts cover such applications as commercial,industrial, and automotives areas.

We are looking forward to setting up business relationship with you and hope to provide you with the best service and solution. Let us make a better world for our industry!



Contact us

Tel: +86-755-8981 8866 Fax: +86-755-8427 6832

Email & Skype: info@chipsmall.com Web: www.chipsmall.com

Address: A1208, Overseas Decoration Building, #122 Zhenhua RD., Futian, Shenzhen, China



THIS DRAWING IS UNPUBLISHED.

RELEASED FOR PUBLICATION

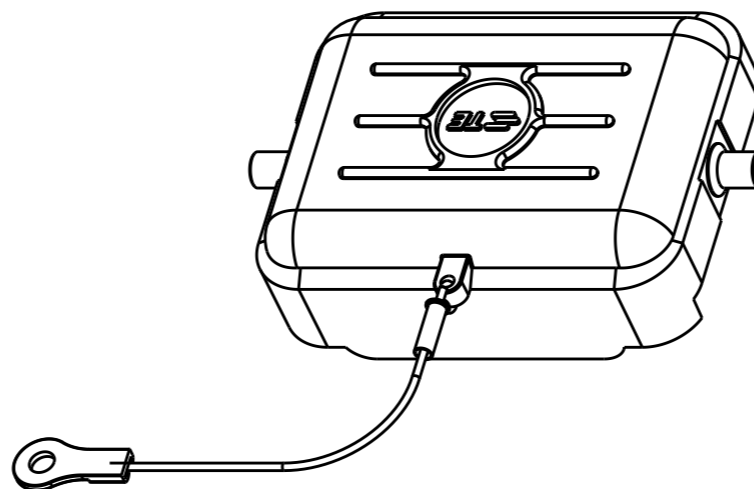
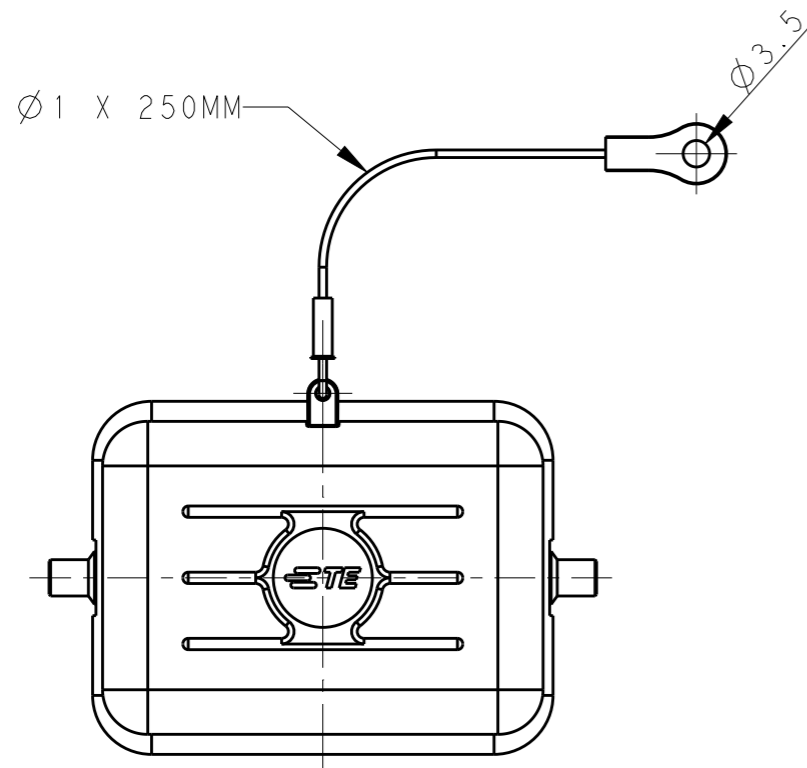
20

© COPYRIGHT 20 BY -

ALL RIGHTS RESERVED.

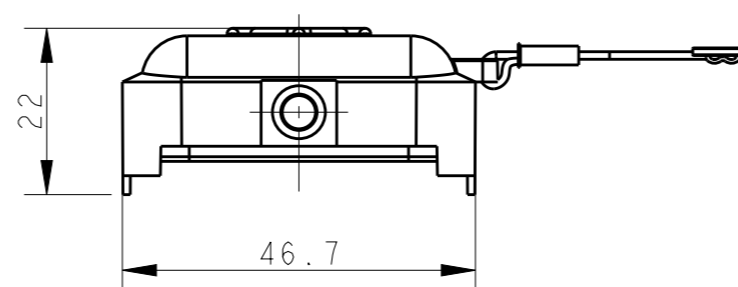
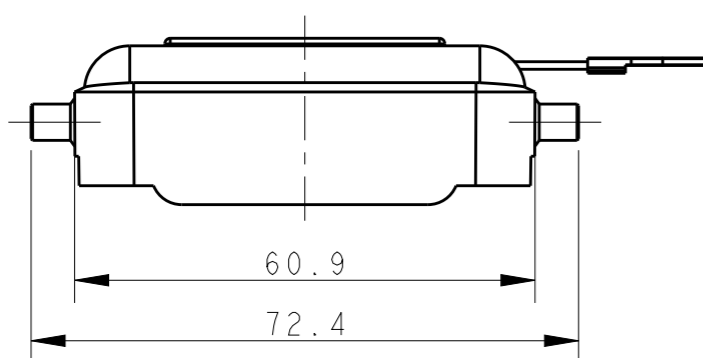
REVISIONS

P	LTR	DESCRIPTION	DATE	DWN	APVD
	A	INITIAL	08JUN2015	DW	CW



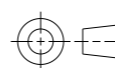
NOTES:
 1. TECHNICAL CHARACTERISTICS:
 COVER MATERIAL: PC
 OPERATION TEMPERATURE: -40-+125°C

注释:
 1. 技术参数:
 保护盖材料: PC
 工作温度: -40-+125°C



THIS DRAWING IS A CONTROLLED DOCUMENT.

DIMENSIONS:
mm



TOLERANCES UNLESS OTHERWISE SPECIFIED:

0 PLC	±-
1 PLC	±-
2 PLC	±-
3 PLC	±-
4 PLC	±-
ANGLES	- ±

MATERIAL

FINISH

-

-

DWN 08JUN2015

David Wang

CHK 08JUN2015

Chris Wang

APVD 08JUN2015

Xiang Xu

PRODUCT SPEC

-

APPLICATION SPEC

-

WEIGHT

-

Customer Drawing



TE Connectivity

NAME
 H6B-KDB
 H6B HOUSING PLASTIC PROTECTION COVER

SIZE	CAGE CODE	DRAWING NO	RESTRICTED TO
------	-----------	------------	---------------

A300779	C	T1010062100000	-
---------	---	----------------	---

SCALE	SHEET	OF	REV
1:1	1	1	A