



Chipsmall Limited consists of a professional team with an average of over 10 year of expertise in the distribution of electronic components. Based in Hongkong, we have already established firm and mutual-benefit business relationships with customers from,Europe,America and south Asia,supplying obsolete and hard-to-find components to meet their specific needs.

With the principle of "Quality Parts,Customers Priority,Honest Operation,and Considerate Service",our business mainly focus on the distribution of electronic components. Line cards we deal with include Microchip,ALPS,ROHM,Xilinx,Pulse,ON,Everlight and Freescale. Main products comprise IC,Modules,Potentiometer,IC Socket,Relay,Connector.Our parts cover such applications as commercial,industrial, and automotives areas.

We are looking forward to setting up business relationship with you and hope to provide you with the best service and solution. Let us make a better world for our industry!



## Contact us

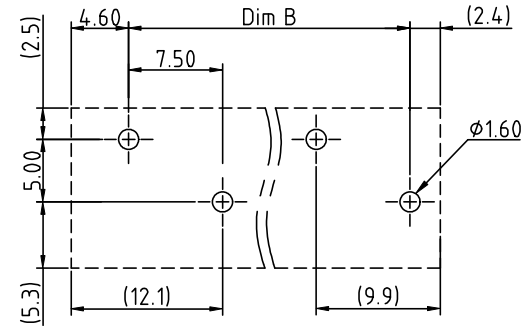
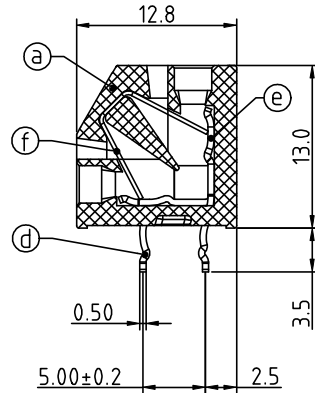
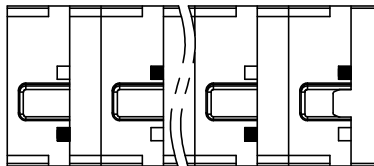
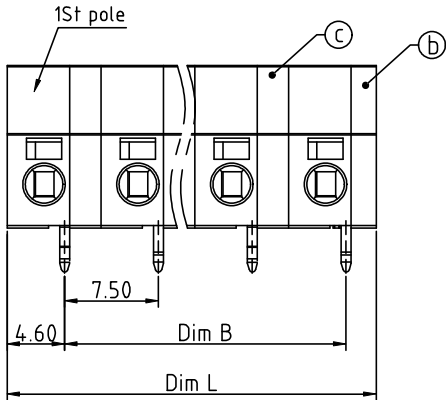
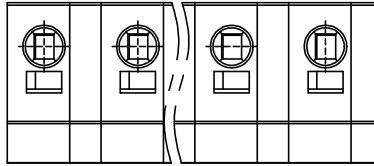
Tel: +86-755-8981 8866 Fax: +86-755-8427 6832

Email & Skype: info@chipsmall.com Web: www.chipsmall.com

Address: A1208, Overseas Decoration Building, #122 Zhenhua RD., Futian, Shenzhen, China



PRODUCT NUMBER	PITCH
H7xx10x300J0G	7.50 mm



RECOMMENDED P.C.B. LAYOUT  
TOP VIEW

Material:

- Item@Insulating body: Thermoplastic ( UL94V-0 )
- ItemⓓInsulating cover: Thermoplastic ( UL94V-0 )
- Itemⓐpad board: Thermoplastic ( UL94V-0 )
- ItemⓐContact on entry pin: Brass, Tin plated
- ItemⓐContact on back pin: Brass, Tin plated
- ItemⓕSpring clamp: Stainless steel

Electrical cULus

- Voltage rating: 300VAC
- Current rating: 8A
- Wire range:
- Solid wire(AWG): 16-20
- Stranded wire(AWG): 16-20
- Wire strip length: 7-8mm
- Withstanding Voltage: 1.6KV
- Operating temperature: -40°C to +115°C
- Soldering temperature: 260°C±5°C/5 Sec
- Safety Approval:

PART NO.: H7 xx 10 x 3 00J0 G

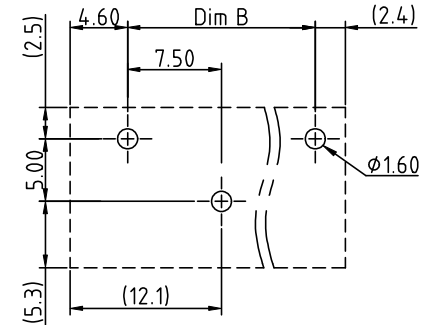
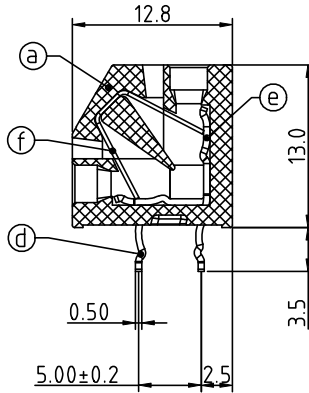
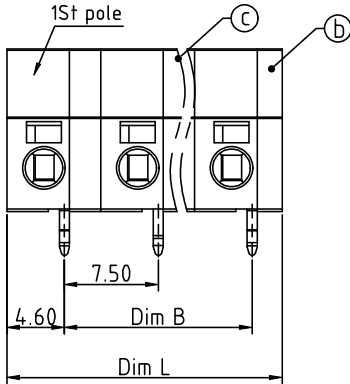
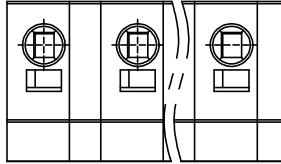
N=Number of poles  
Dim L=N×7.5-0.5  
Dim B=(N-1)×7.5

POLES	Tolerance
2p/4p/6p/8p	±0.20
10p/12p/14p/16p	±0.30

End stackable	No. of poles	Color	RoHS compliant (lead<4%) In copper Alloy
0	2	Black (RAL9005)	
02	2 poles	Red (RAL3001/D)	
04	4 poles	Orange(RAL2011/P)	
...	...	Yellow(RAL1018/A)	
...	...	Green(RAL6018/T)	
16	16 poles	Blue (RAL5015/A)	
		8 Grey(RAL7004/P)	
		9 White(RAL1102)	
		C Multiple colors	

mat'l. code				surface ASME Y14.5		tolerance ASME Y14.5		projection		product family	
ltr ecn no dr date				tolerances unless otherwise specified		angles		MM		TERMINAL BLOCK	
				X±0.5		X.X±0.3				title	
				X.X±0.1		scale				TERMINAL BLOCK	
				dr EVIN ZHONG 052614		FCI				SPRING CLAMP,90D AND 180D WIRE INLET,EVEN POLES	
				enr EVIN ZHONG 052614						dwg no sheet 1 of 2 size	
				chr HANKE FENG 052614						H7xx10x300J0G A4	
				appd SHI JUN 052614						type CUSTOMER Drawing	
sheet index		revision sheet		A 1							

PRODUCT NUMBER	PITCH
H7xx10x300J0G	7.50 mm



RECOMMENDED P.C.B. LAYOUT  
TOP VIEW

Material:

- Item@Insulating body: Thermoplastic ( UL94V-0 )
- ItemⓀInsulating cover: Thermoplastic ( UL94V-0 )
- ItemⒸPad board: Thermoplastic ( UL94V-0 )
- ItemⒹContact on entry pin: Brass, Tin plated
- ItemⒺContact on back pin: Brass, Tin plated
- ItemⒻSpring clamp: Stainless steel

Electrical cULus

- Voltage rating: 300VAC
- Current rating: 8A
- Wire range:
- Solid wire(AWG): 16-20
- Stranded wire(AWG): 16-20
- Wire strip length: 7-8mm
- Withstanding Voltage: 1.6KV
- Operating temperature: -40°C to +115°C
- Soldering temperature: 260°C±5°C/5 Sec
- Safety Approval:

PART NO.: H7 xx 10 x 3 00J0 G

N=Number of poles

Dim L=N×7.5-0.5

Dim B=(N-1)×7.5

POLES	Tolerance
3p/5p/7p/9p	±0.20
11p/13p/15p	±0.30

End stackable	No. of poles	Color	RoHS compliant (lead<4%) In copper Alloy
0	2	Black (RAL9005)	
	3	Red (RAL3001/D)	
	3	Orange(RAL2011/P)	
	4	Yellow(RAL1018/A)	
	4	Green(RAL6018/T)	
	5	Blue (RAL5015/A)	
	6	Grey(RAL7004/P)	
	8	White(RAL1102)	
	9	Multiple colors	

mat'l. code		surface ASME Y14.5	tolerance ASME Y14.5	projection	product family
ltr		tolerances unless otherwise specified		MM	TERMINAL BLOCK
ecn no	dr	date	angles		title
			X±0.5	SCALE	TERMINAL BLOCK
			X.X±0.3		SPRING CLAMP,90D AND 180D WIRE INLET,ODD POLES
			X'±1"		scale
			X.XX±0.1		dwg no
					sheet 2 of 2 size
					H7xx10x300J0G
					A4
					type
					CUSTOMER Drawing
sheet index	revision sheet	A	2		