



Chipsmall Limited consists of a professional team with an average of over 10 year of expertise in the distribution of electronic components. Based in Hongkong, we have already established firm and mutual-benefit business relationships with customers from,Europe,America and south Asia,supplying obsolete and hard-to-find components to meet their specific needs.

With the principle of “Quality Parts,Customers Priority,Honest Operation,and Considerate Service”,our business mainly focus on the distribution of electronic components. Line cards we deal with include Microchip,ALPS,ROHM,Xilinx,Pulse,ON,Everlight and Freescale. Main products comprise IC,Modules,Potentiometer,IC Socket,Relay,Connector.Our parts cover such applications as commercial,industrial, and automotives areas.

We are looking forward to setting up business relationship with you and hope to provide you with the best service and solution. Let us make a better world for our industry!



Contact us

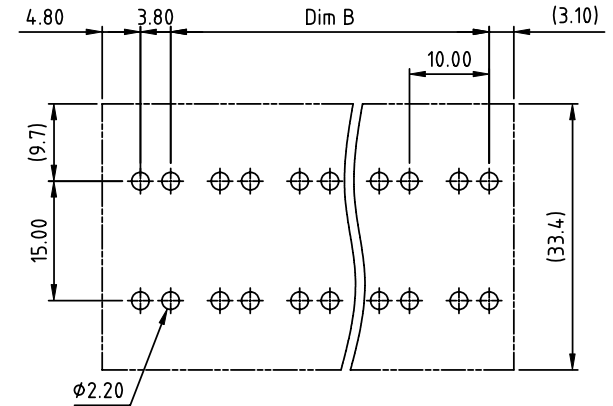
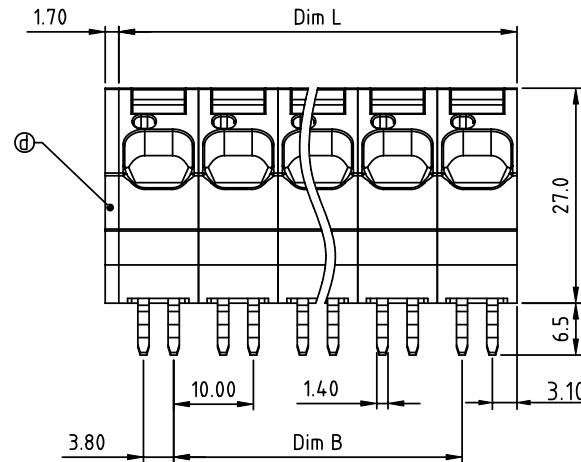
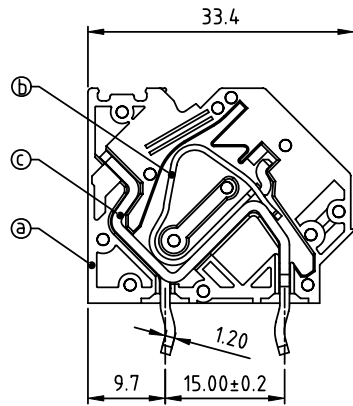
Tel: +86-755-8981 8866 Fax: +86-755-8427 6832

Email & Skype: info@chipsmall.com Web: www.chipsmall.com

Address: A1208, Overseas Decoration Building, #122 Zhenhua RD., Futian, Shenzhen, China



PRODUCT NUMBER	PITCH
H8xx00x000J0G	10.00mm



RECOMMENDED P.C.B LAYOUT
TOP VIEW

Material:

- Item① Insulator(housing): Thermoplastic (UL94V-0)
- Item② Spring clamp: Stainless steel
- Item③ Terminal Body(solder pin): Copper.Tin platd
- Item④ Insulator(Cover): Thermoplastic (UL94V-0)

Electrical:

- | | | |
|-------------------------|-----------------|------|
| | cULus | IEC |
| ●Voltage rating: | 300V | 250V |
| ●Current rating: | 37A | 76A |
| ●Wire range: | 0.2-16 mm² | |
| ●Solid wire(AWG): | 6-24 | |
| ●Stranded wire(AWG): | 6-24 | |
| ●Wire strip length: | 12-13mm | |
| ●Withstanding Voltage: | 1.6KV | 4KV |
| ●Operating temperature: | -40°C to +115°C | |
| ●Soldering temperature: | 260°C±5°C/5 Sec | |
| ●Safety Approval: | | |

N=Number of poles
Dim L=Nx10.0
Dim B=(N-1)x10.0

Poles	Dim L	Dim B
2-6p	±0.15	±0.15
7-12p	±0.25	±0.25

PART NO.: H8 xx 00 x 000J0 G

		Color	RoHS compliant
No. of poles	0	Black (RAL9005)	(lead<4%)
End Stackable	2	Red (RAL3001/D)	In copper Alloy
02 2 poles	3	Orange(RAL2011/P)	
03 3 poles	4	Yellow(RAL1018/A)	
...	5	Green(RAL6018/T)	
12 12 poles	6	Blue (RAL5015/A)	
	8	Grey(RAL7004/P)	
	9	White(RAL1102)	
	C	Multiple colors	

mat'l. code		surface ASME Y14.5	tolerance ASME Y14.5	projection	product family
ltr ecn no dr date		tolerances unless otherwise specified			TERMINAL BLOCK
		angles	X.±0.5	MM	title
		fil	X.X±0.3		TERMINAL BLOCK
		X*±1*	X.XX±0.1	scale	SPRING CLAMP,45D WIRE INLET
		dr	EVIN ZHONG 053114		dwg no
		enr	EVIN ZHONG 053114		sheet 1 of 1
		chr	HANKE FENG 053114		size
		appd	SHI JUN 053114		A4
sheet index	revision sheet	A			type
	1				CUSTOMER Drawing