



Chipsmall Limited consists of a professional team with an average of over 10 year of expertise in the distribution of electronic components. Based in Hongkong, we have already established firm and mutual-benefit business relationships with customers from,Europe,America and south Asia,supplying obsolete and hard-to-find components to meet their specific needs.

With the principle of “Quality Parts,Customers Priority,Honest Operation,and Considerate Service”,our business mainly focus on the distribution of electronic components. Line cards we deal with include Microchip,ALPS,ROHM,Xilinx,Pulse,ON,Everlight and Freescale. Main products comprise IC,Modules,Potentiometer,IC Socket,Relay,Connector.Our parts cover such applications as commercial,industrial, and automotives areas.

We are looking forward to setting up business relationship with you and hope to provide you with the best service and solution. Let us make a better world for our industry!



## Contact us

Tel: +86-755-8981 8866 Fax: +86-755-8427 6832

Email & Skype: info@chipsmall.com Web: www.chipsmall.com

Address: A1208, Overseas Decoration Building, #122 Zhenhua RD., Futian, Shenzhen, China



# Customer Information Sheet

DRAWING No.: H8502-XX

SHEET 2 OF 2

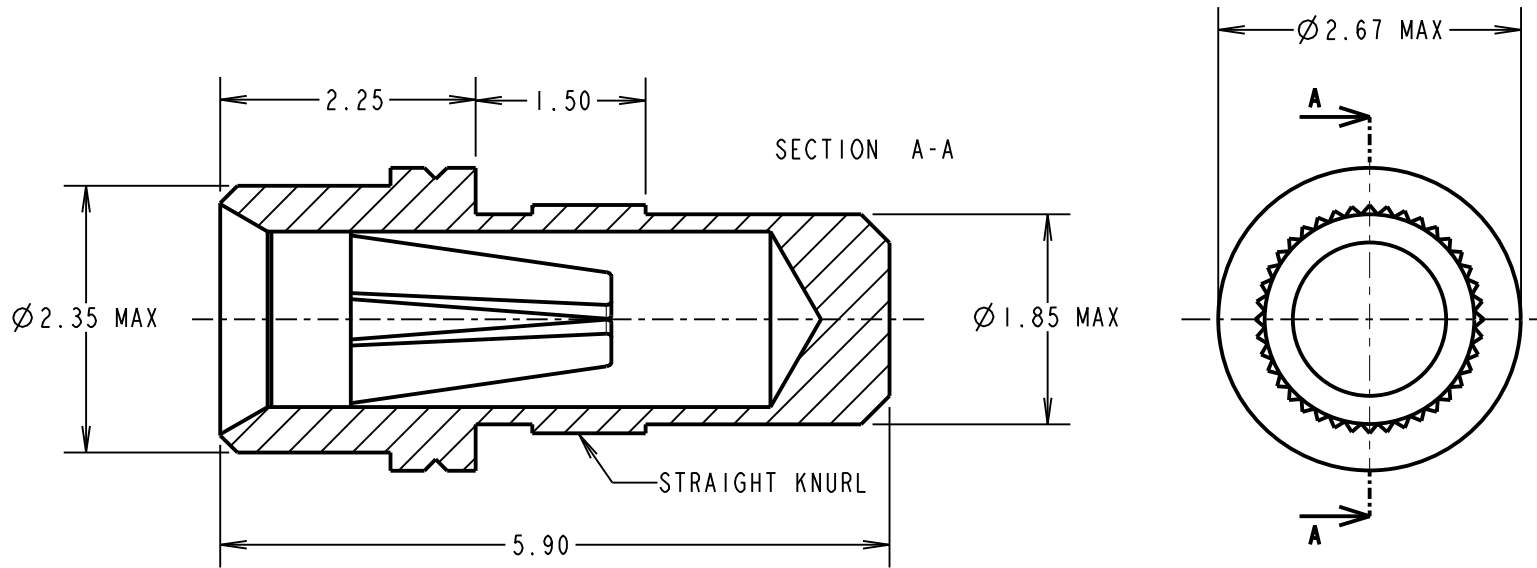
IF IN DOUBT - ASK

©

NOT TO SCALE

THIRD ANGLE PROJECTION

ALL DIMENSIONS IN mm



**SPECIFICATION:**

**MATERIAL:**  
 CONTACT SHELL = BRASS  
 CONTACT CLIP = BERYLLIUM COPPER

**FINISH:**  
 01 = 4 $\mu$  100% TIN SHELL, 0.15 $\mu$  GOLD CLIP  
 05 = 0.1 $\mu$  GOLD SHELL, 0.15 $\mu$  GOLD CLIP  
 46 = 4 $\mu$  100% TIN SHELL, 3 $\mu$  100% TIN CLIP

**ELECTRICAL:**  
 CURRENT RATING AT 25°C = 10A MAX  
 CURRENT RATING AT 85°C = 7.5A MAX  
 CONTACT RESISTANCE = 25 m $\Omega$  MAX

**MECHANICAL:**  
 INSERTION FORCE ( $\varnothing$ 0.8mm GAUGE) = 5N MAX, 1.5N MIN  
 WITHDRAWAL FORCE ( $\varnothing$ 0.8mm GAUGE) = 3.0N MAX, 1.0N MIN

**DURABILITY:**  
 01, 05 = 1000 OPERATIONS  
 46 = 100 OPERATIONS

**ENVIRONMENTAL:**  
 OPERATING TEMPERATURE = -55°C TO +125°C

**PACKING:**  
 BAG

**NOTES:**

- FOR ELECTRICAL/MECHANICAL SPECIFICATION, SEE COMPONENT SPECIFICATION C010XX (LATEST ISSUE).
- MAXIMUM PIN LENGTH = 4.85mm.
- RECOMMENDED MOUNTING HOLE SIZE =  $\varnothing$ 1.96-1.91mm.
- RECOMMENDED MATING PIN SIZE =  $\varnothing$ 0.85-0.60mm.
- MAXIMUM CONTACT DEPTH = 3.30mm.
- SOCKET MUST BE SOLDERED TO PCB TO ENSURE ELECTRICAL CONNECTION.

ORDER CODE:

**H8502-XX**

FINISH:

- 01 = 100% TIN SHELL, GOLD CLIP
- 05 = GOLD SHELL, GOLD CLIP
- 46 = 100% TIN SHELL, 100% TIN CLIP

MSP	I2	12.10.15	13128
NAME	ISS.	DATE	C/NOTE
APPROVED:		M.PERREN	
CHECKED:		M.PLESTED	
DRAWN:		A. J. FILLINGHAM	
CUSTOMER REF.:			
ASSEMBLY DRG:			

**HARWIN**

www.harwin.com  
 technical@harwin.com

THIS DRAWING AND ANY INFORMATION OR DESCRIPTIVE MATTER SET OUT HEREON ARE CONFIDENTIAL AND COPYRIGHT PROPERTY OF THE HARWIN GROUP AND MUST NOT BE DISCLOSED, LOANED, COPIED OR USED FOR MANUFACTURING, TENDERING OR FOR ANY OTHER PURPOSE WITHOUT THEIR WRITTEN PERMISSION.

**TOLERANCES**  
 X. =  $\pm$ 1mm  
 X.X =  $\pm$ 0.50mm  
 X.XX =  $\pm$ 0.10mm  
 X.XXX =  $\pm$ 0.01mm  
 ANGLES =  $\pm$ 5°  
 UNLESS STATED

**MATERIAL:**  
 SEE ABOVE

**FINISH:**  
 SEE ABOVE

**S/AREA:**  
 mm<sup>2</sup>

**TITLE:**  
 $\varnothing$ 0.8mm SOCKET ASSEMBLY

**DRAWING NUMBER:**  
**H8502-XX**

SHT  
 2 OF 2