



Chipsmall Limited consists of a professional team with an average of over 10 year of expertise in the distribution of electronic components. Based in Hongkong, we have already established firm and mutual-benefit business relationships with customers from,Europe,America and south Asia,supplying obsolete and hard-to-find components to meet their specific needs.

With the principle of “Quality Parts,Customers Priority,Honest Operation,and Considerate Service”,our business mainly focus on the distribution of electronic components. Line cards we deal with include Microchip,ALPS,ROHM,Xilinx,Pulse,ON,Everlight and Freescale. Main products comprise IC,Modules,Potentiometer,IC Socket,Relay,Connector.Our parts cover such applications as commercial,industrial, and automotives areas.

We are looking forward to setting up business relationship with you and hope to provide you with the best service and solution. Let us make a better world for our industry!



Contact us

Tel: +86-755-8981 8866 Fax: +86-755-8427 6832

Email & Skype: info@chipsmall.com Web: www.chipsmall.com

Address: A1208, Overseas Decoration Building, #122 Zhenhua RD., Futian, Shenzhen, China



Customer Information Sheet

DRAWING No.: H8504-XX

SHEET 2 OF 2

IF IN DOUBT - ASK

©

NOT TO SCALE

THIRD ANGLE PROJECTION

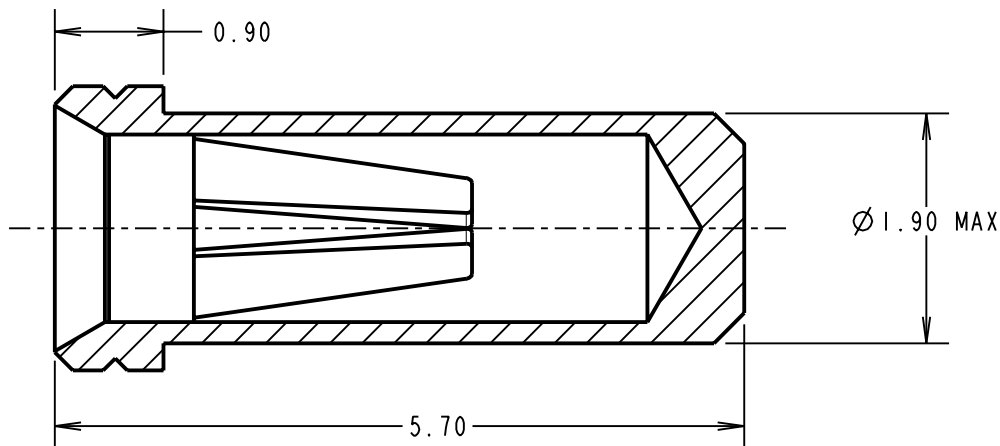
ALL DIMENSIONS IN mm

ORDER CODE:

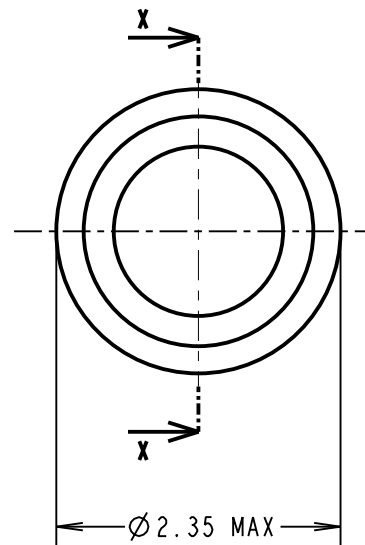
H8504-XX

FINISH:

- 01 = 100% TIN SHELL, GOLD CLIP
- 05 = GOLD SHELL, GOLD CLIP
- 46 = 100% TIN SHELL, 100% TIN CLIP



SECTION X-X



SPECIFICATION:

MATERIAL:

CONTACT SHELL = BRASS
CONTACT CLIP = BERYLLIUM COPPER

FINISH:

- 01 = 4 μ 100% TIN SHELL, 0.15 μ GOLD CLIP
- 05 = 0.1 μ GOLD SHELL, 0.15 μ GOLD CLIP
- 46 = 4 μ 100% TIN SHELL, 3 μ 100% TIN CLIP

ELECTRICAL:

CURRENT RATING AT 25°C = 10A MAX
CURRENT RATING AT 85°C = 7.5A MAX
CONTACT RESISTANCE = 25 m Ω MAX

MECHANICAL:

INSERTION FORCE (\varnothing 0.8mm GAUGE) = 5N MAX, 1.5N MIN
WITHDRAWAL FORCE (\varnothing 0.8mm GAUGE) = 3.0N MAX, 1.0N MIN
DURABILITY:

- 01, 05 = 1000 OPERATIONS
- 46 = 100 OPERATIONS

ENVIRONMENTAL:

OPERATING TEMPERATURE = -55°C TO +125°C

PACKING:

BAG

NOTES:

1. FOR ELECTRICAL/MECHANICAL SPECIFICATION, SEE COMPONENT SPECIFICATION C010XX (LATEST ISSUE).
2. MAXIMUM PIN LENGTH = 4.65mm.
3. RECOMMENDED MOUNTING HOLE SIZE = \varnothing 2.01-1.91mm.
4. RECOMMENDED MATING PIN SIZE = \varnothing 0.85-0.60mm.
5. MAXIMUM CONTACT DEPTH = 3.30mm.

SM	12	16.06.10	10837
NAME	ISS.	DATE	C/NOTE
APPROVED: S. MCCULLAGH			
CHECKED: R. ADDE			
DRAWN: A. J. FILLINGHAM			
CUSTOMER REF.:			
ASSEMBLY DRG:			

HARWIN

HARWIN USA TEL: 603 893 5376 FAX: 603 893 5396 mis@harwin.com	HARWIN Europe (UK) TEL: 023 9231 4545 FAX: 023 9231 4590 mis@harwin.co.uk	HARWIN Asia TEL: +65 6 779 4909 FAX: +65 6 779 3868 mis@harwin.com.sg
--	--	--

THIS DRAWING AND ANY INFORMATION OR DESCRIPTIVE MATTER SET OUT HEREON ARE CONFIDENTIAL AND COPYRIGHT PROPERTY OF THE HARWIN GROUP AND MUST NOT BE DISCLOSED, LOANED, COPIED OR USED FOR MANUFACTURING, TENDERING OR FOR ANY OTHER PURPOSE WITHOUT THEIR WRITTEN PERMISSION.

TOLERANCES

- X. = \pm 1mm
- X.X = \pm 0.25mm
- X.XX = \pm 0.10mm
- X.XXX = \pm 0.01mm

ANGLES = \pm 5°

UNLESS STATED

MATERIAL:

SEE ABOVE

FINISH: SEE ABOVE

S/AREA:

mm²

TITLE:

\varnothing 0.8mm SOCKET ASSEMBLY

DRAWING NUMBER:

H8504-XX

SHT
2
OF 2