



Chipsmall Limited consists of a professional team with an average of over 10 year of expertise in the distribution of electronic components. Based in Hongkong, we have already established firm and mutual-benefit business relationships with customers from,Europe,America and south Asia,supplying obsolete and hard-to-find components to meet their specific needs.

With the principle of “Quality Parts,Customers Priority,Honest Operation,and Considerate Service”,our business mainly focus on the distribution of electronic components. Line cards we deal with include Microchip,ALPS,ROHM,Xilinx,Pulse,ON,Everlight and Freescale. Main products comprise IC,Modules,Potentiometer,IC Socket,Relay,Connector.Our parts cover such applications as commercial,industrial, and automotives areas.

We are looking forward to setting up business relationship with you and hope to provide you with the best service and solution. Let us make a better world for our industry!



## Contact us

Tel: +86-755-8981 8866 Fax: +86-755-8427 6832

Email & Skype: info@chipsmall.com Web: www.chipsmall.com

Address: A1208, Overseas Decoration Building, #122 Zhenhua RD., Futian, Shenzhen, China



# Customer Information Sheet

DRAWING No.: H8505-XX

SHEET 2 OF 2

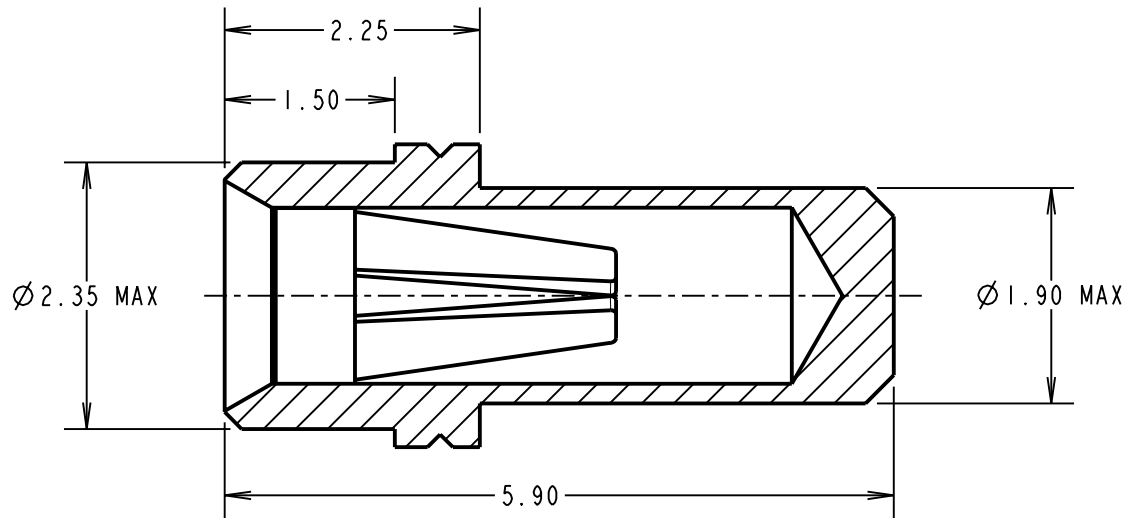
IF IN DOUBT - ASK

©

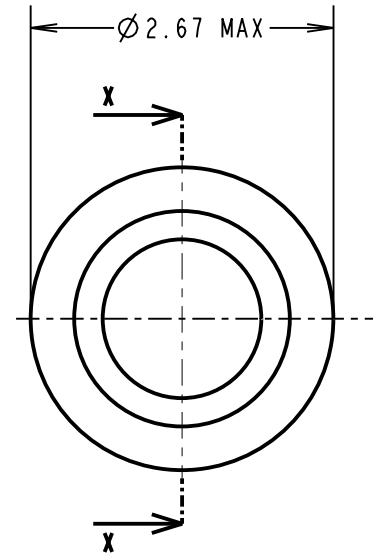
NOT TO SCALE

THIRD ANGLE PROJECTION

ALL DIMENSIONS IN mm



SECTION X-X



ORDER CODE:  
**H8505-XX**  
FINISH:  
01 = 100% TIN SHELL, GOLD CLIP  
05 = GOLD SHELL, GOLD CLIP  
46 = 100% TIN SHELL, 100% TIN CLIP

**SPECIFICATION:**

**MATERIAL:**  
CONTACT SHELL = BRASS  
CONTACT CLIP = BERYLLIUM COPPER

**FINISH:**  
01 = 4 $\mu$  100% TIN SHELL, 0.15 $\mu$  GOLD CLIP  
05 = 0.1 $\mu$  GOLD SHELL, 0.15 $\mu$  GOLD CLIP  
46 = 4 $\mu$  100% TIN SHELL, 3 $\mu$  100% TIN CLIP

**ELECTRICAL:**  
CURRENT RATING AT 25°C = 10A MAX  
CURRENT RATING AT 85°C = 7.5A MAX  
CONTACT RESISTANCE = 25 m $\Omega$  MAX

**MECHANICAL:**  
INSERTION FORCE ( $\varnothing$ 0.8mm GAUGE) = 5N MAX, 1.5N MIN  
WITHDRAWAL FORCE ( $\varnothing$ 0.8mm GAUGE) = 3.0N MAX, 1.0N MIN  
**DURABILITY:**

01, 05 = 1000 OPERATIONS  
46 = 100 OPERATIONS

**ENVIRONMENTAL:**  
OPERATING TEMPERATURE = -55°C TO +125°C

**PACKING:**  
BAG

**NOTES:**

- FOR ELECTRICAL/MECHANICAL SPECIFICATION, SEE COMPONENT SPECIFICATION C010XX (LATEST ISSUE).
- MAXIMUM PIN LENGTH = 4.85mm.
- RECOMMENDED MOUNTING HOLE SIZE =  $\varnothing$ 2.01-1.91mm.
- RECOMMENDED MATING PIN SIZE =  $\varnothing$ 0.85-0.60mm.
- MAXIMUM CONTACT DEPTH = 3.30mm.

CP	11	17.12.09	10616
NAME	ISS.	DATE	C/NOTE
APPROVED:		C.PENROSE	
CHECKED:		R.ADDE	
DRAWN:		A. J. FILLINGHAM	
CUSTOMER REF.:			
ASSEMBLY DRG:			

**HARWIN**

THIS DRAWING AND ANY INFORMATION OR DESCRIPTIVE MATTER SET OUT HEREON ARE CONFIDENTIAL AND COPYRIGHT PROPERTY OF THE HARWIN GROUP AND MUST NOT BE DISCLOSED, LOANED, COPIED OR USED FOR MANUFACTURING, TENDERING OR FOR ANY OTHER PURPOSE WITHOUT THEIR WRITTEN PERMISSION.

**TOLERANCES**

X. =  $\pm$ 1mm  
X.X =  $\pm$ 0.25mm  
X.XX =  $\pm$ 0.10mm  
X.XXX =  $\pm$ 0.01mm

ANGLES =  $\pm$ 5°

UNLESS STATED

**MATERIAL:**

SEE ABOVE

FINISH: SEE ABOVE

S/AREA:

mm<sup>2</sup>

**TITLE:**

$\varnothing$ 0.8mm SOCKET ASSEMBLY

DRAWING NUMBER:

**H8505-XX**

HARWIN USA  
TEL: 603 893 5376  
FAX: 603 893 5396  
mis@harwin.com

HARWIN Europe (UK)  
TEL: 023 9231 4545  
FAX: 023 9231 4590  
mis@harwin.co.uk

HARWIN Asia  
TEL: +65 6 779 4909  
FAX: +65 6 779 3868  
mis@harwin.com.sg

SHT  
2 OF 2