



Chipsmall Limited consists of a professional team with an average of over 10 year of expertise in the distribution of electronic components. Based in Hongkong, we have already established firm and mutual-benefit business relationships with customers from,Europe,America and south Asia,supplying obsolete and hard-to-find components to meet their specific needs.

With the principle of "Quality Parts,Customers Priority,Honest Operation,and Considerate Service",our business mainly focus on the distribution of electronic components. Line cards we deal with include Microchip,ALPS,ROHM,Xilinx,Pulse,ON,Everlight and Freescale. Main products comprise IC,Modules,Potentiometer,IC Socket,Relay,Connector.Our parts cover such applications as commercial,industrial, and automotives areas.

We are looking forward to setting up business relationship with you and hope to provide you with the best service and solution. Let us make a better world for our industry!



Contact us

Tel: +86-755-8981 8866 Fax: +86-755-8427 6832

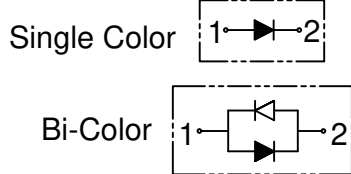
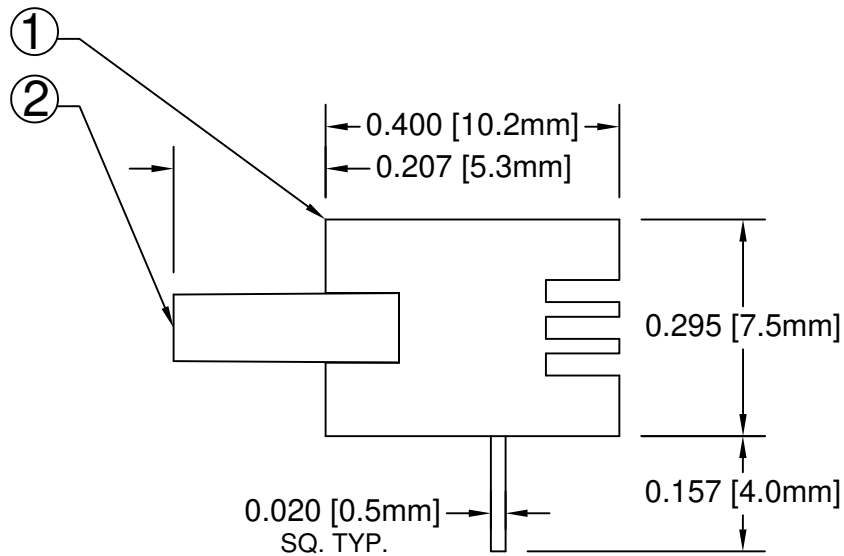
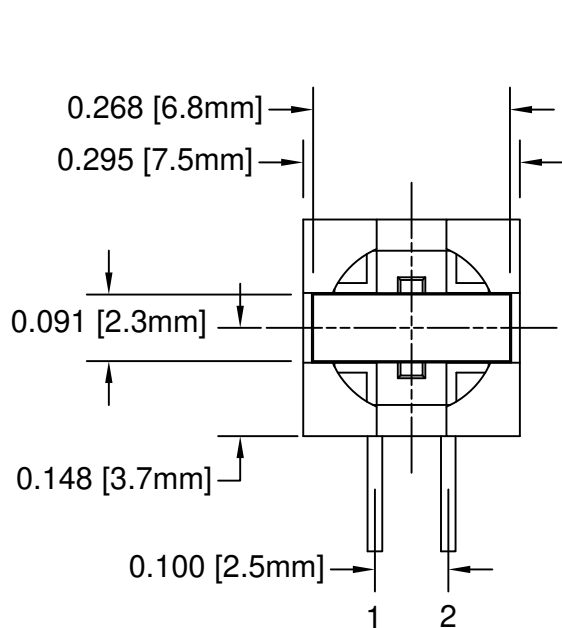
Email & Skype: info@chipsmall.com Web: www.chipsmall.com

Address: A1208, Overseas Decoration Building, #122 Zhenhua RD., Futian, Shenzhen, China

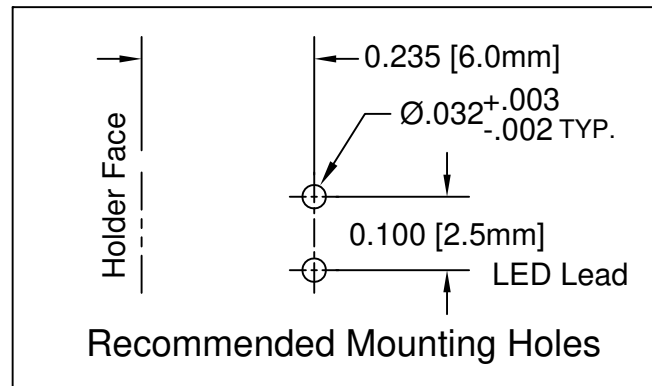


ITEM	Q'TY	PART NUMBER	PART DESCRIPTION
1	1	922-343	Multi-Functional Single LED Holder
2	1	R7XX	2x7mm Rectangular LED, See Page 2

REV.	DESCRIPTION	DATE	APPROVED
A	Engineering Update w/o Changes	03/08/04	M. C.
B	Added R7BC-Y/G & R7BC-R/Y LEDs	08/04/16	J. C.



BI-COLOR POLARITY		
LED P/N	(1) CATHODE	(2) CATHODE
R7BC	GREEN	RED
R7BC-Y/G	GREEN	YELLOW
R7BC-R/Y	YELLOW	RED



ABSOLUTE MAXIMUM RATINGS (Ta=25° C)

REVERSE VOLTAGE _____ 5V

REVERSE CURRENT _____ 100uA

OPERATING TEMPERATURE RANGE _____ -25° C - 85° C


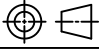
STORAGE TEMPERATURE _____ -30° C - 100° C

LEAD SOLDERING TEMPERATURE(1/16" FROM BODY) _____ 260° C FOR 5 SECONDS

STANDARD TOLERANCE (UNLESS OTHERWISE SPECIFIED)		 4 THOMAS, IRVINE, CA. 92618 TEL: (949) 951-8808 FAX: (949) 951-3974	
DECIMALS	ANGULAR		
.X ± .1	X° ± 1°	 TITLE: RECTANGULAR 2X7MM HORIZ 90° SINGLE-LEVEL LED ASSY	
.XX ± .02			
.XXX ± .010			
DESIGNED: T. Yin	DATE: 03/08/04	PART NO: H921HR7XX	REVISION: B
CHECKED: D. Green	DATE: 03/08/04	CAGE CODE : 32559	SHEET # 1 OF 2
CAD GENERATED DOCUMENT. DO NOT MEASURE DRAWING.			

REV.	DESCRIPTION	DATE	APPROVED
	SEE SHEET #1		

LED Assy. No.	Peak Wave Length λ_p (nm)	Emitted Color	Lens Appearance	Abs. Max. Rating	Electro-Optical Data @ 20mA			Viewing Angle $2\theta_{1/2}$ (Deg)	LED P/N
				If (mA)	Vf (V)		Iv (mcd)		
					TYP	MAX	TYP		
H921HR7GD	565	GREEN	DIFFUSED	30	2.2	2.6	7	125	R7GD
H921HR7YD	585	YELLOW	DIFFUSED	30	2.1	2.6	5	125	R7YD
H921HR7RD	655	RED	DIFFUSED	40	1.7	2.0	1	125	R7RD
H921HR7BC	635	RED	DIFFUSED	30	2.0	2.6	6	120	R7BC
	568	GREEN		30	2.2	2.6	6		
H921HR7BC-Y/G	585	YELLOW	DIFFUSED	30	2.1	2.6	5	120	R7BC-Y/G
	568	GREEN		30	2.2	2.6	6		
H921HR7BC-R/Y	640	RED	DIFFUSED	30	2.0	2.6	6	120	R7BC-R/Y
	585	YELLOW		30	2.1	2.6	6		

STANDARD TOLERANCE (UNLESS OTHERWISE SPECIFIED) $\pm 10\%$ ALL VALUES ANGULAR		 BIVAR [®] 4 THOMAS, IRVINE, CA. 92618 TEL: (949) 951-8808 FAX: (949) 951-3974	
			
DESIGNED: T. Yin	DATE: 03/08/04	PART NO: H921HR7XX	REVISION: B
CHECKED: D. Green	DATE: 03/08/04	CAGE CODE : 32559	SHEET # 2 OF 2
CAD GENERATED DOCUMENT. DO NOT MEASURE DRAWING.			