



Chipsmall Limited consists of a professional team with an average of over 10 year of expertise in the distribution of electronic components. Based in Hongkong, we have already established firm and mutual-benefit business relationships with customers from,Europe,America and south Asia,supplying obsolete and hard-to-find components to meet their specific needs.

With the principle of “Quality Parts,Customers Priority,Honest Operation,and Considerate Service”,our business mainly focus on the distribution of electronic components. Line cards we deal with include Microchip,ALPS,ROHM,Xilinx,Pulse,ON,Everlight and Freescale. Main products comprise IC,Modules,Potentiometer,IC Socket,Relay,Connector.Our parts cover such applications as commercial,industrial, and automotives areas.

We are looking forward to setting up business relationship with you and hope to provide you with the best service and solution. Let us make a better world for our industry!



Contact us

Tel: +86-755-8981 8866 Fax: +86-755-8427 6832

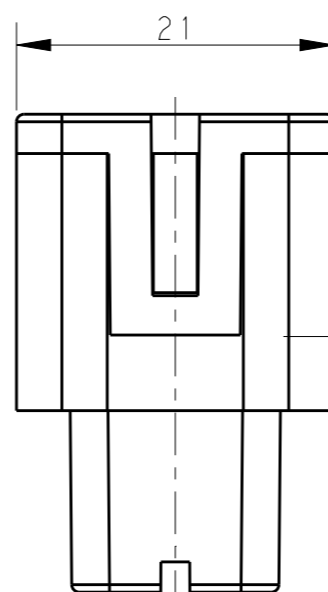
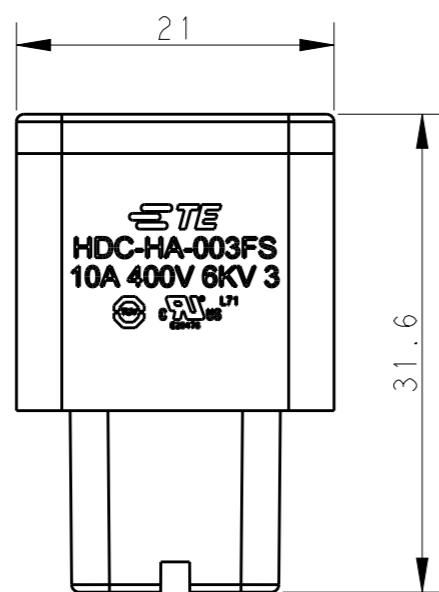
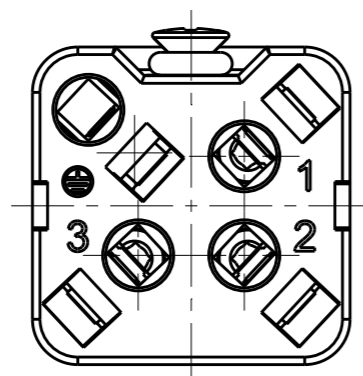
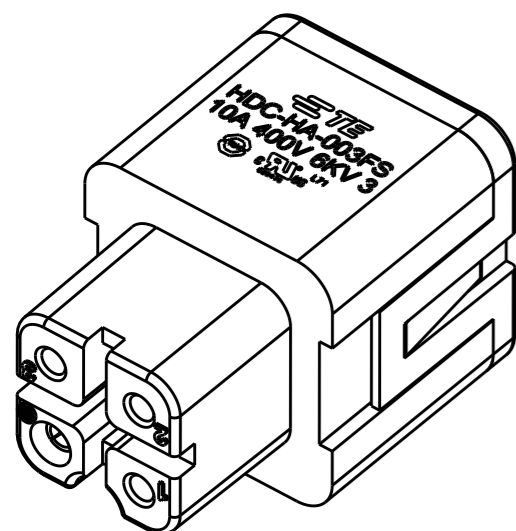
Email & Skype: info@chipsmall.com Web: www.chipsmall.com

Address: A1208, Overseas Decoration Building, #122 Zhenhua RD., Futian, Shenzhen, China

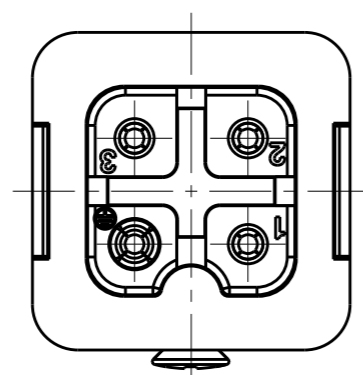


REVISIONS

P	LTR	DESCRIPTION	DATE	DWN	APVD
	A	INITIAL	17MAR2015	DW	CW
	B	ECR-15-013750	19SEP2015	DW	CW
	B1	ECR-15-016224	05NOV2015	DW	CW



M3 SCREW,
RECOMMENDED
TIGHTENING
TORQUE 0.5Nm



NOTES:

- TECHNICAL CHARACTERISTICS:
INSULATION MATERIAL: PC
RATED VOLTAGE: 400 V
RATED CURRENT: 10 A
INSULATION RESISTANCE: $\geq 400M\Omega$
RATED IMPULSE VOLTAGE: 6 KV
POLLUTION DEGREE: 3
FLAMMABILITY: UL94V-0
MATING CYCLES: 500 CYCLES
OPERATION TEMPERATURE: -40-+125°C
WIRE RANGE: 0.5-2.5 mm² (20-14 AWG)
CONTACT FINISH: SILVER PLATED
CONTACT TYPE: SPRING CONTACT

注释:

- 技术参数:
绝缘材料: PC
额定电压: 400V
额定电流: 10A
绝缘电阻: $\geq 400M\Omega$
额定脉冲电压: 6 KV
污染等级: 3
阻燃等级: UL94V-0
插拔次数: 500 次
工作温度: -40-+125°C
接线范围: 0.5-2.5 mm² (20-14 AWG)
端子表面处理: 镀银
接线类型: 弹片压接

THIS DRAWING IS A CONTROLLED DOCUMENT.

DIMENSIONS:	TOLERANCES UNLESS OTHERWISE SPECIFIED:
mm	
	0 PLC ±-
	1 PLC ±-
	2 PLC ±-
	3 PLC ±-
	4 PLC ±-
	ANGLES ±-
MATERIAL	FINISH
-	-
-	-

DWN	17MAR2015
DAVID WANG	
CHK	17MAR2015
CHRIS WANG	
APVD	17MAR2015
XU XIANG	
PRODUCT SPEC	108-137045
APPLICATION SPEC	114-137045
WEIGHT	-
Customer Drawing	

TE Connectivity		NAME		RESTRICTED TO
		HA-003-FS		
SIZE	CAGE CODE	DRAWING NO	-	
A3	00779	CT2010033201000	-	
SCALE		SHEET	OF	REV
2:1		1	1	B1