



Chipsmall Limited consists of a professional team with an average of over 10 year of expertise in the distribution of electronic components. Based in Hongkong, we have already established firm and mutual-benefit business relationships with customers from,Europe,America and south Asia,supplying obsolete and hard-to-find components to meet their specific needs.

With the principle of "Quality Parts,Customers Priority,Honest Operation,and Considerate Service",our business mainly focus on the distribution of electronic components. Line cards we deal with include Microchip,ALPS,ROHM,Xilinx,Pulse,ON,Everlight and Freescale. Main products comprise IC,Modules,Potentiometer,IC Socket,Relay,Connector.Our parts cover such applications as commercial,industrial, and automotives areas.

We are looking forward to setting up business relationship with you and hope to provide you with the best service and solution. Let us make a better world for our industry!



Contact us

Tel: +86-755-8981 8866 Fax: +86-755-8427 6832

Email & Skype: info@chipsmall.com Web: www.chipsmall.com

Address: A1208, Overseas Decoration Building, #122 Zhenhua RD., Futian, Shenzhen, China



4

3

2

1

THIS DRAWING IS UNPUBLISHED.

RELEASED FOR PUBLICATION

20

© COPYRIGHT 20 BY -

ALL RIGHTS RESERVED.

REVISIONS

P	LTR	DESCRIPTION	DATE	DWN	APVD
A		INITIAL RELEASE	18DEC2014	DW	CW
B		ECR-15-013750	21SEP2015	DW	CW
B1		ECR-15-016224	05NOV2015	DW	CW
B2		ECR-16-018198	09JAN2017	QY	CW

M3 SCREW,
RECOMMENDED
TIGHTENING
TORQUE 0.5Nm
M3螺丝, 推荐锁紧力矩0.5Nm

NOTES:

1. TECHNICAL CHARACTERISTICS:
INSULATION MATERIAL: PC
RATED VOLTAGE: 250 V
RATED CURRENT: 10 A
INSULATION RESISTANCE: $\geq 400M\Omega$
RATED IMPULSE VOLTAGE: 2.5 KV
POLLUTION DEGREE: 3
FLAMMABILITY: UL94V-0
MATING CYCLES: 500 CYCLES
WIRE RANGE: 0.5-2.5 mm² (20-14 AWG)
CONTACT FINISH: SILVER PLATED
CONTACT TYPE: SCREW CONTACT

注释:

1. 技术参数:
绝缘材料: PC
额定电压: 250V
额定电流: 10A
绝缘电阻: $\geq 400M\Omega$
额定脉冲电压: 2.5 KV
污染等级: 3
阻燃等级: UL94V-0
插拔次数: 500 次
接线范围: 0.5-2.5 mm² (20-14 AWG)
端子表面处理: 镀银
接线类型: 螺丝连接

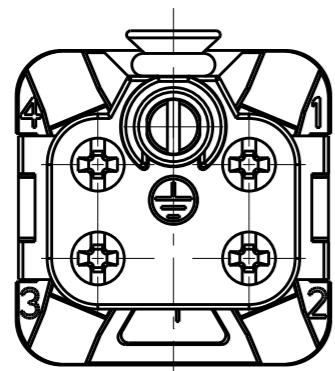
TYPE-1:T2010042201-000 TE LOGO
类型-1:T2010042201-000 TE LOGO

DIMENSIONS:		TOLERANCES UNLESS OTHERWISE SPECIFIED:		APPROVALS		TE Connectivity			
mm		0 PLC	±-	DWN	18DEC2014				
		1 PLC	±-	DAVID WANG	18DEC2014				
		2 PLC	±-	CHK	CHRIS WANG			18DEC2014	
		3 PLC	±-	APVD	XU XIANG			18DEC2014	
		4 PLC	±-	PRODUCT SPEC		NAME	HA-004-F		
MATERIAL		FINISH		APPLICATION SPEC		SIZE	CAGE CODE	DRAWING NO	RESTRICTED TO
-		-		114-137045		A3	00779	©-T2010042201000	-
Customer Drawing				WEIGHT		SCALE		SHEET	
-				-		2:1		1 OF 2	
								REV B2	

1470-19 (3/13)

REVISIONS

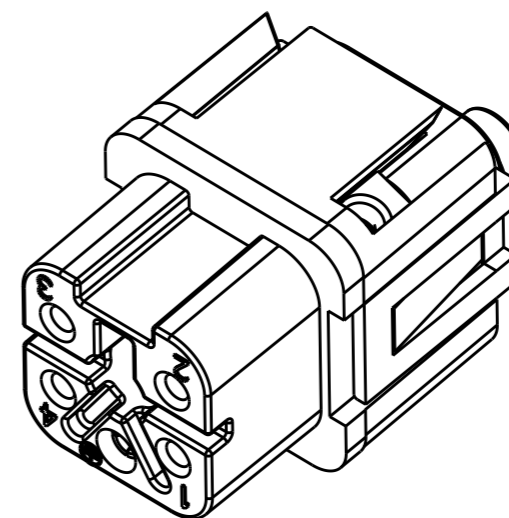
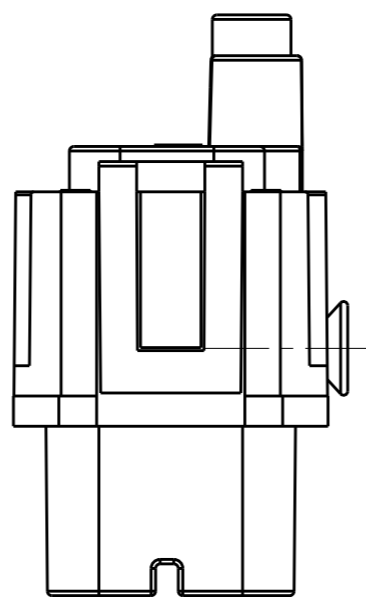
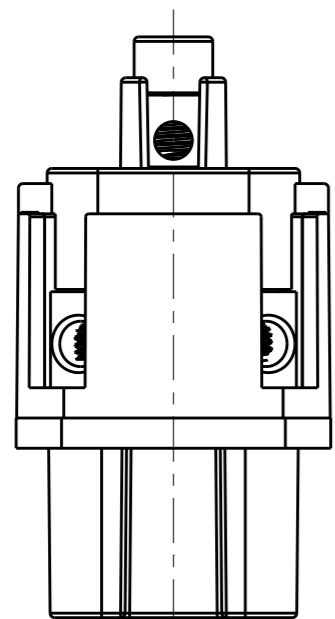
P	LTR	DESCRIPTION	DATE	DWN	APVD
-	-	SEE SHEET 1	-	-	-



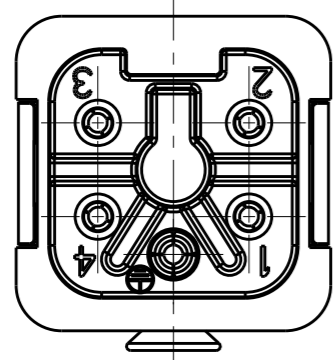
ALL DIMENSIONS ARE SAME AS TYPE 1,
EXCEPT THOSE DEFINED IN THIS TYPE.
除了在本类型中定义的尺寸外, 其它尺寸同类型 1

NOTES:
SEE SHEET 1


注释:
见页 1



TYPE-2: T2010042201-001 STAINLESS STEEL SCREW, NO LOGO
类型-2: T2010042201-001 不锈钢螺丝, 无LOGO



T2010042201-001	HA-004-F	HA-004 FEMALE INSERT, SIDE OUTLET, TOP LOCK SCREW, STAINLESS STEEL SCREW, NO LOGO HA-004母插, 侧面出线顶部锁螺丝, 不锈钢螺丝, 无LOGO	TYPE-2 类型-2
T2010042201-000	HA-004-F	HA-004 FEMALE INSERT, SIDE OUTLET, TOP LOCK SCREW HA-004母插, 侧面出线顶部锁螺丝	TYPE-1 类型-1
PART NUMBER 料号	PART DESCRIPTION 描述		TYPE 类型

THIS DRAWING IS A CONTROLLED DOCUMENT.		DWN 18DEC2014 DAVID WANG	 TE Connectivity	
DIMENSIONS: mm		CHK 18DEC2014 CHRIS WANG		
TOLERANCES UNLESS OTHERWISE SPECIFIED:		APVD 18DEC2014 XU XIANG	NAME HA-004-F	
0 PLC ±-		PRODUCT SPEC 108-137045	SIZE	
1 PLC ±-		APPLICATION SPEC 114-137045	CAGE CODE	
2 PLC ±-		WEIGHT	DRAWING NO	
3 PLC ±-		Customer Drawing	RESTRICTED TO	
4 PLC ±-			A300779	
ANGLES ±-			C-T2010042201000	
FINISH			SCALE 2:1	
MATERIAL			SHEET 2 OF 2	
			REV B2	