



Chipsmall Limited consists of a professional team with an average of over 10 year of expertise in the distribution of electronic components. Based in Hongkong, we have already established firm and mutual-benefit business relationships with customers from,Europe,America and south Asia,supplying obsolete and hard-to-find components to meet their specific needs.

With the principle of “Quality Parts,Customers Priority,Honest Operation,and Considerate Service”,our business mainly focus on the distribution of electronic components. Line cards we deal with include Microchip,ALPS,ROHM,Xilinx,Pulse,ON,Everlight and Freescale. Main products comprise IC,Modules,Potentiometer,IC Socket,Relay,Connector.Our parts cover such applications as commercial,industrial, and automotives areas.

We are looking forward to setting up business relationship with you and hope to provide you with the best service and solution. Let us make a better world for our industry!



Contact us

Tel: +86-755-8981 8866 Fax: +86-755-8427 6832

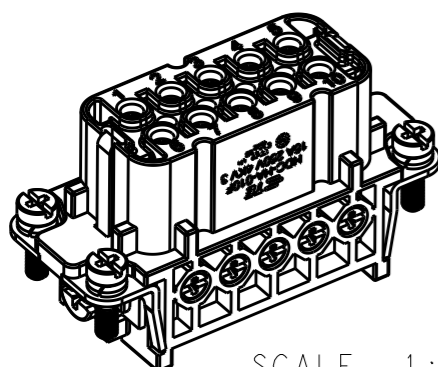
Email & Skype: info@chipsmall.com Web: www.chipsmall.com

Address: A1208, Overseas Decoration Building, #122 Zhenhua RD., Futian, Shenzhen, China



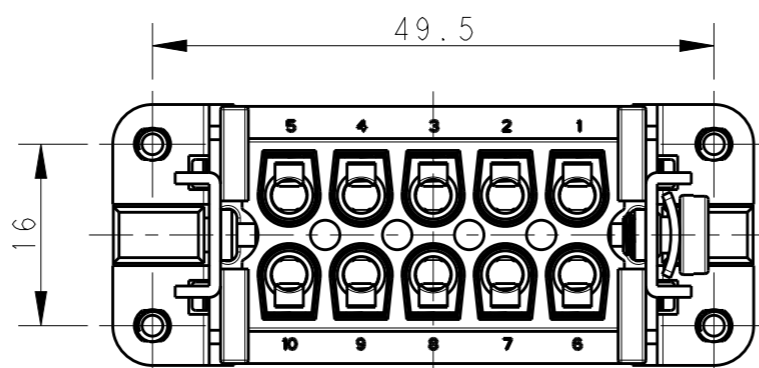
REVISIONS

P	LTR	DESCRIPTION	DATE	DWN	APVD
A		INITIAL RELEASE	18DEC2014	DW	CW
B		ECR-15-013750	18SEP2015	DW	CW
B1		ECR-15-016224	05NOV2015	DW	CW
B2		ECR-16-017507	13DEC2016	QY	CW



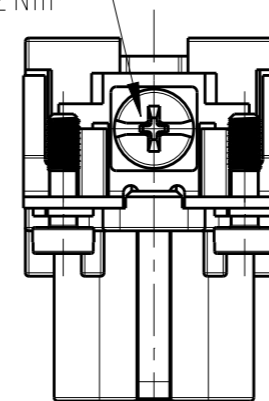
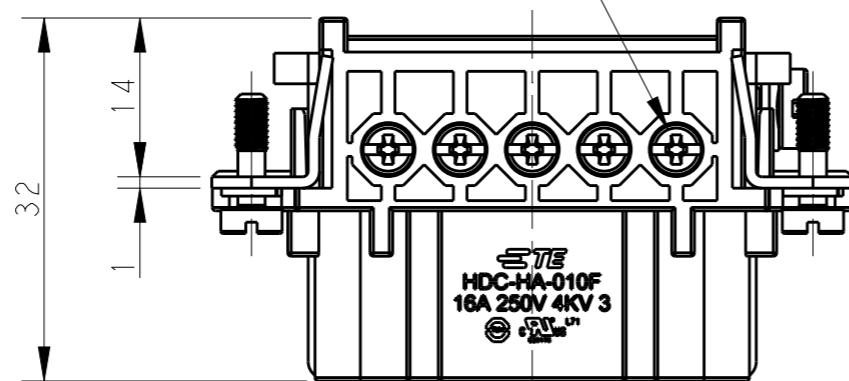
SCALE 1:1

TYPE-1, T2010102201-000, TE LOGO
类型-1, T2010102201-000, TE LOGO



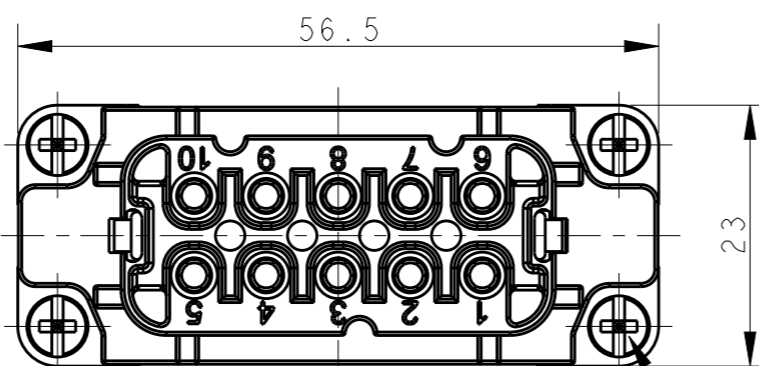
10X M3 SCREW, RECOMMENDED
TIGHTENING TORQUE 0.5Nm
10X M3 螺丝, 推荐锁紧力矩0.5Nm

M4 SCREW RECOMMENDED
TIGHTENING TORQUE 1.2Nm
M4 螺丝, 推荐锁紧力矩1.2Nm



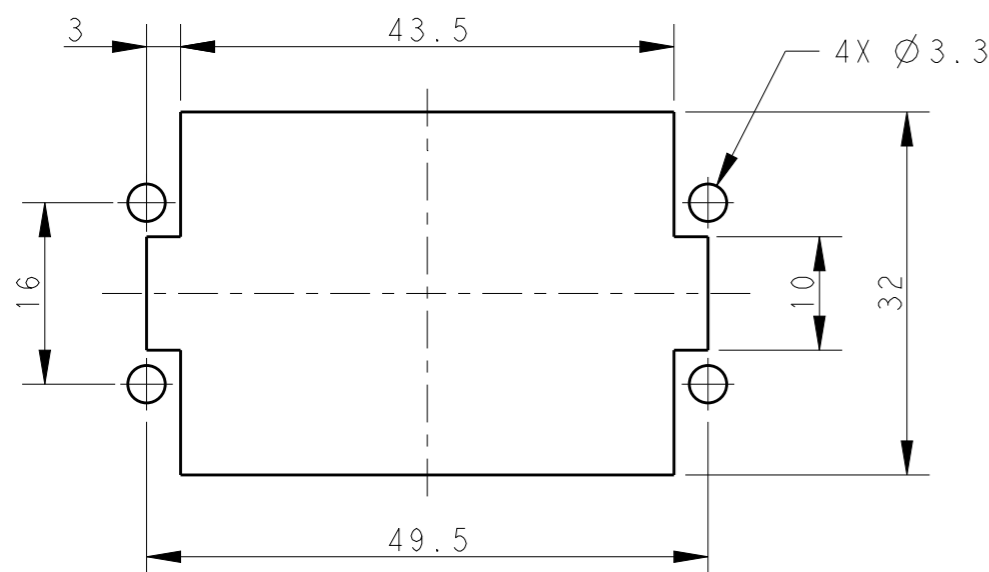
NOTES:
1. TECHNICAL CHARACTERISTICS:
INSULATION MATERIAL: PC
RATED VOLTAGE: 250 V
RATED CURRENT: 16 A
INSULATION RESISTANCE: $\geq 400M\Omega$
RATED IMPULSE VOLTAGE: 4 KV
POLLUTION DEGREE: 3
FLAMMABILITY: UL94V-0
MATING CYCLES: 500 CYCLES
WIRE RANGE: 0.5-2.5 mm² (20-14 AWG)
CONTACT FINISH: SILVER PLATED
CONTACT TYPE: SCREW CONTACT

注释:
1. 技术参数:
绝缘材料: PC
额定电压: 250V
额定电流: 16A
绝缘电阻: $\geq 400M\Omega$
额定脉冲电压: 4 KV
污染等级: 3
阻燃等级: UL94V-0
插拔次数: 500 次
接线范围: 0.5-2.5 mm² (20-14 AWG)
端子表面处理: 镀银
接线类型: 螺丝连接



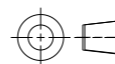
4X M3 SCREW, RECOMMENDED
TIGHTENING TORQUE 0.5Nm
4X M3 螺丝, 推荐锁紧力矩0.5Nm

PANEL CUT FOR INSERTS FOR USING
WITHOUT HOODS/ HOUSINGS
不用防护外壳时芯件的安装开孔图



THIS DRAWING IS A CONTROLLED DOCUMENT.

DIMENSIONS:
mm



TOLERANCES UNLESS OTHERWISE SPECIFIED:

0 PLC	±0.1
1 PLC	±0.15
2 PLC	±0.2
3 PLC	±0.25
4 PLC	±0.3
ANGLES	±0.5
FINISH	-

MATERIAL

DWN 18DEC2014

DAVID WANG

CHK 18DEC2014

CHRIS WANG

APVD 18DEC2014

XU XIANG

PRODUCT SPEC

108-137045

APPLICATION SPEC

114-137045

WEIGHT

-

Customer Drawing



TE Connectivity

NAME
HA-010-F

SIZE	CAGE CODE	DRAWING NO	RESTRICTED TO
------	-----------	------------	---------------

A3

-

©-T2010102201000

-

SCALE 3:2

SHEET 1 OF 2

REV B2

THIS DRAWING IS UNPUBLISHED.

RELEASED FOR PUBLICATION

20

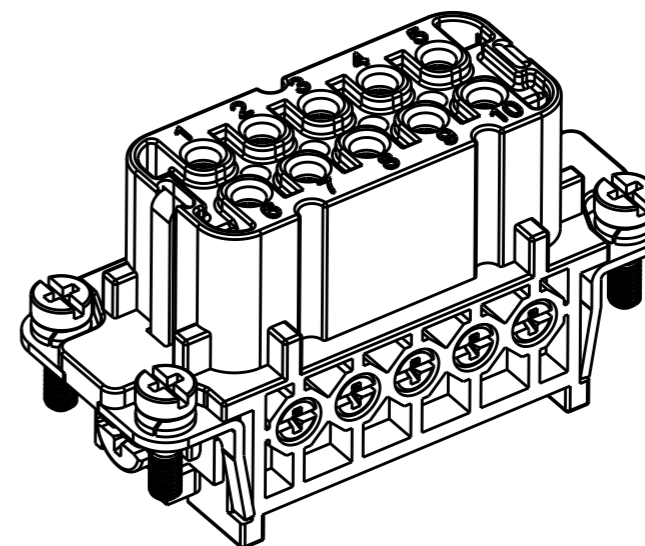
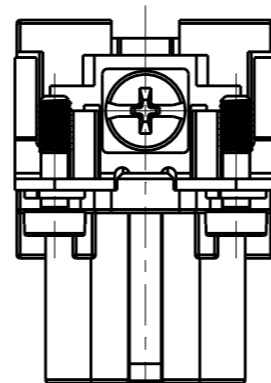
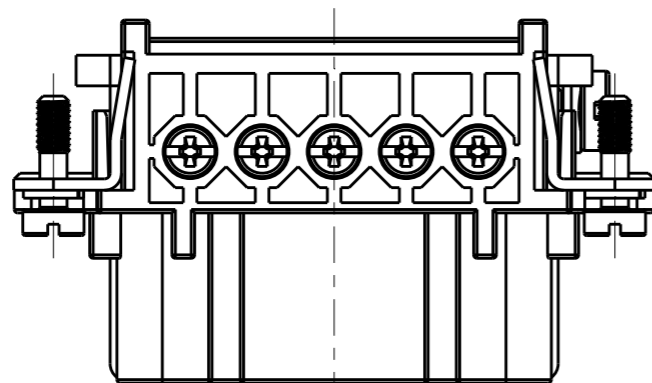
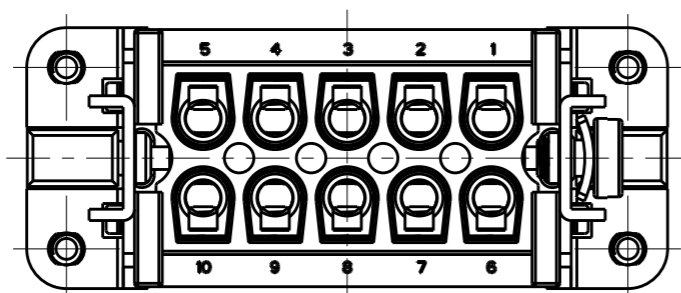
© COPYRIGHT 20 BY -

ALL RIGHTS RESERVED.

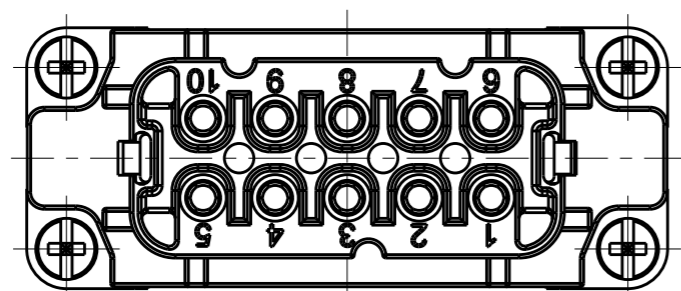
REVISIONS

P	LTR	DESCRIPTION	DATE	DWN	APVD
-		SEE SHEET 1	-	-	-

NOTE:
SEE SHEET 1
注释:
见页 1



TYPE-2, T2010102201-001, NO LOGO
类型-2, T2010102201-001, 无 LOGO



ALL DIMENSIONS ARE SAME AS TYPE 1,
EXCEPT THOSE DEFINED IN THIS TYPE.
除了在本类型中定义的尺寸外, 其它尺寸同类型 1

T2010102201-001	HA-010-F	HA-010 FEMALE INSERT, NO LOGO HA-010母插, 无LOGO	TYPE-2 类型-2
T2010102201-000	HA-010-F	HA-010 FEMALE INSERT HA-010母插	TYPE-1 类型-1
PART NUMBER 料号	PART DESCRIPTION 描述		TYPE 类型

THIS DRAWING IS A CONTROLLED DOCUMENT.		DWN DAVID WANG 18DEC2014		
DIMENSIONS: mm		CHK CHRIS WANG 18DEC2014		
TOLERANCES UNLESS OTHERWISE SPECIFIED:		APVD XU XIANG 18DEC2014	NAME HA-010-F	
0 PLC ±-		PRODUCT SPEC 108-137045	SIZE A3	
1 PLC ±-		APPLICATION SPEC 114-137045	CAGE CODE -	
2 PLC ±-		WEIGHT -	DRAWING NO T2010102201000	
3 PLC ±-		Customer Drawing	RESTRICTED TO -	
4 PLC ±-			SCALE 3:2	SHEET 2 OF 2
ANGLES ±-				
FINISH -				
MATERIAL -				