



Chipsmall Limited consists of a professional team with an average of over 10 year of expertise in the distribution of electronic components. Based in Hongkong, we have already established firm and mutual-benefit business relationships with customers from,Europe,America and south Asia,supplying obsolete and hard-to-find components to meet their specific needs.

With the principle of “Quality Parts,Customers Priority,Honest Operation,and Considerate Service”,our business mainly focus on the distribution of electronic components. Line cards we deal with include Microchip,ALPS,ROHM,Xilinx,Pulse,ON,Everlight and Freescale. Main products comprise IC,Modules,Potentiometer,IC Socket,Relay,Connector.Our parts cover such applications as commercial,industrial, and automotives areas.

We are looking forward to setting up business relationship with you and hope to provide you with the best service and solution. Let us make a better world for our industry!



Contact us

Tel: +86-755-8981 8866 Fax: +86-755-8427 6832

Email & Skype: info@chipsmall.com Web: www.chipsmall.com

Address: A1208, Overseas Decoration Building, #122 Zhenhua RD., Futian, Shenzhen, China



THIS DRAWING IS UNPUBLISHED.

RELEASED FOR PUBLICATION

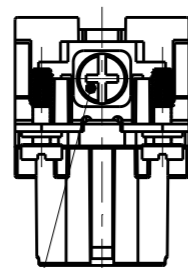
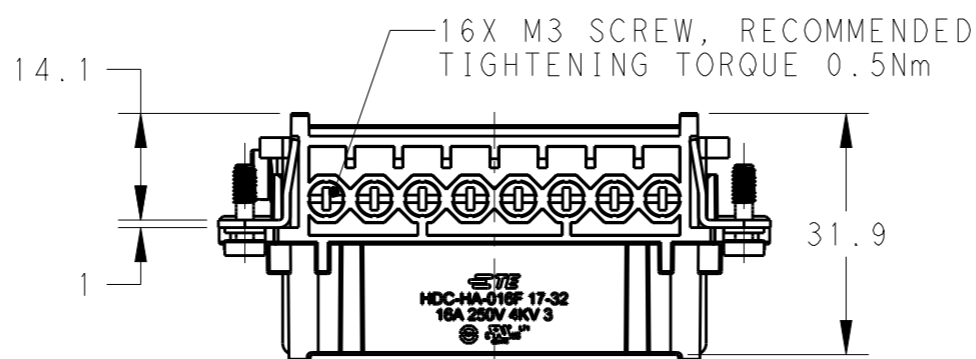
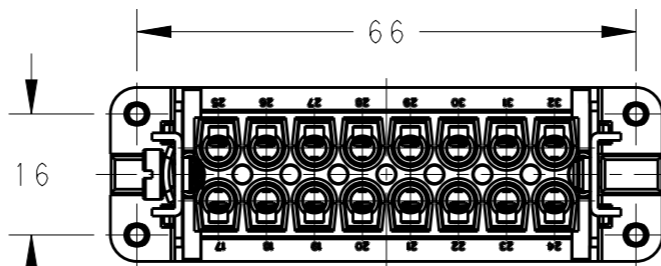
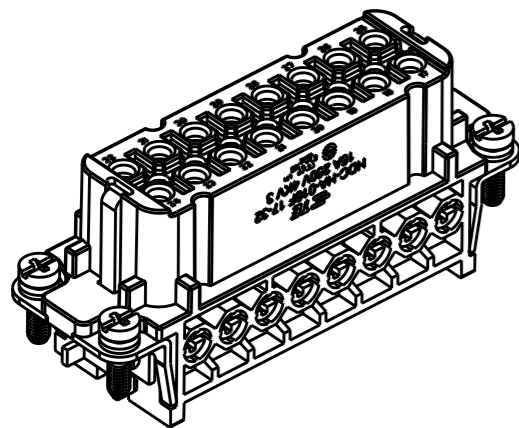
20

© COPYRIGHT 20 BY -

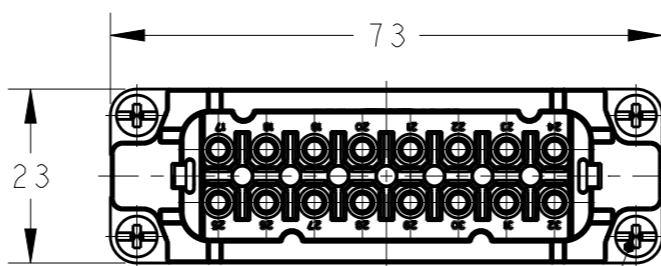
ALL RIGHTS RESERVED.

REVISIONS

P	LTR	DESCRIPTION	DATE	DWN	APVD
	A	INITIAL	10APR2015	DW	CW
	B	ECR-15-013750	23SEP2015	DW	CW
	B1	ECR-15-016224	05NOV2015	DW	CW



M4 SCREW
RECOMMENDED
TIGHTENING TORQUE 1.2Nm



4X M3 SCREW, RECOMMENDED
TIGHTENING TORQUE 0.5Nm

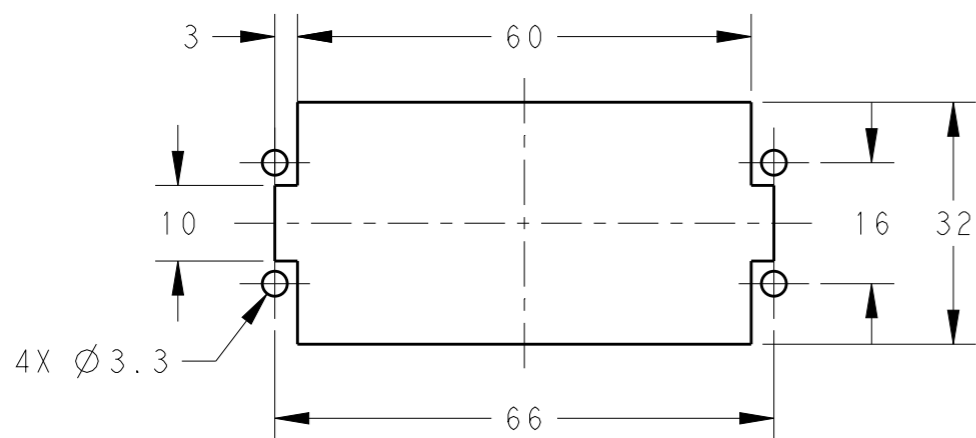
NOTES:

- TECHNICAL CHARACTERISTICS:
 INSULATION MATERIAL: PC
 RATED VOLTAGE: 250 V
 RATED CURRENT: 16 A
 INSULATION RESISTANCE: $\geq 400M\Omega$
 RATED IMPULSE VOLTAGE: 4 KV
 POLLUTION DEGREE: 3
 FLAMMABILITY: UL94V-0
 MATING CYCLES: 500 CYCLES
 OPERATION TEMPERATURE: $-40-+125^{\circ}C$
 WIRE RANGE: 0.5-2.5 mm² (20-14 AWG)
 CONTACT FINISH: SILVER PLATED
 CONTACT TYPE: SCREW CONTACT

注释:

- 技术参数:
 绝缘材料: PC
 额定电压: 250V
 额定电流: 16A
 绝缘电阻: $\geq 400M\Omega$
 额定脉冲电压: 4 KV
 污染等级: 3
 阻燃等级: UL94V-0
 插拔次数: 500 次
 工作温度: $-40-+125^{\circ}C$
 接线范围: 0.5-2.5 mm² (20-14 AWG)
 端子表面处理: 镀银
 接线类型: 螺丝连接

PANEL CUT FOR INSERTS FOR USE
WITHOUT HOODS/ HOUSINGS



THIS DRAWING IS A CONTROLLED DOCUMENT.

DIMENSIONS:	TOLERANCES UNLESS OTHERWISE SPECIFIED:
mm	0 PLC ± 0.1
	1 PLC ± 0.1
	2 PLC ± 0.1
	3 PLC ± 0.1
	4 PLC ± 0.1
	ANGLES ± 0.1
MATERIAL	FINISH
-	-

DWN	22JAN2015
David Wang	
CHK	22JAN2015
Chris Wang	
APVD	22JAN2015
Xiang Xu	
PRODUCT SPEC	108-137045
APPLICATION SPEC	114-137045
WEIGHT	-
Customer Drawing	

HA-016-F 17-32	T2010322201-000
DESCRIPTION	PART NUMBER



NAME		HA-016-F 17-32	
SIZE	CAGE CODE	DRAWING NO	RESTRICTED TO
A3	00779	©-T2010322201000	-
SCALE		SHEET	REV
1:1		1 OF 1	B1