



Chipsmall Limited consists of a professional team with an average of over 10 year of expertise in the distribution of electronic components. Based in Hongkong, we have already established firm and mutual-benefit business relationships with customers from,Europe,America and south Asia,supplying obsolete and hard-to-find components to meet their specific needs.

With the principle of “Quality Parts,Customers Priority,Honest Operation,and Considerate Service”,our business mainly focus on the distribution of electronic components. Line cards we deal with include Microchip,ALPS,ROHM,Xilinx,Pulse,ON,Everlight and Freescale. Main products comprise IC,Modules,Potentiometer,IC Socket,Relay,Connector.Our parts cover such applications as commercial,industrial, and automotives areas.

We are looking forward to setting up business relationship with you and hope to provide you with the best service and solution. Let us make a better world for our industry!



Contact us

Tel: +86-755-8981 8866 Fax: +86-755-8427 6832

Email & Skype: info@chipsmall.com Web: www.chipsmall.com

Address: A1208, Overseas Decoration Building, #122 Zhenhua RD., Futian, Shenzhen, China



PRODUCT NUMBER
20020303-XXXXXXLF

20020303-□ □ □ □ B 0 □ L F

PITCH

D: 3.81 mm
G: 5.00 mm
H: 5.08 mm

POLES

02: 2 POLES
03: 3 POLES
.....
24: 24 POLES

LF : DENOTED RoHS COMPATIBLE

1 : STANDARD PRODUCT
W/ BOX PACKING

HOUSING CODE

CODE	COLOR	AVAILABILITY
1	GREEN(RAL 6018/T)	STANDARD
2	BLACK	ON REQUEST ONLY
3	GREY(RAL 7004/P)	ON REQUEST ONLY
4	BLUE(RAL 5015/A)	ON REQUEST ONLY

PROPERTY TABLE				
FCI SERIES NAME		09-381	09-500	09-508
PITCH (mm)		3.81	5.00	5.08
VOLTAGE RATING (VAC)		300	300	300
CURRENT RATING (A)		6	10	10
APPLICABLE WIRE RANGE (AWG)	1-WIRE	16~26	14~24	14~24
	2-WIRE	NA	NA	NA
WIRE CROSS SECTION (mm ²)	SOLID	1-WIRE	1.0	1.5
		2-WIRE	NA	NA
	STRANDED	1-WIRE	1.0	1.5
		2-WIRE	NA	NA
OPENING CONTACT HOUSING(mm ²)		1.7x1.7	2.4x2.4	2.4x2.4
WIRE STRIP LENGTH(mm)		9~10	9~10	9~10
WITHSTANDING VOLTAGE (kV)		1.6	1.6	1.6
OPERATING TEMP. (°C)		-40~+115	-40~+115	-40~+115
SOLDERING TEMP. (°C)		250±10 (5 sec.)	250±10 (5 sec.)	250±10 (5 sec.)
POLES AVAILABLE		02~24	02~24	02~24
SAFETY CERTIFICATE				

NOTES:

- MATERIALS
 - 1-1 TERMINAL BODY: THERMALPLASTIC RESIN, UL 94V-0 RATED.
 - 1-2 TERMINAL COVER: THERMALPLASTIC RESIN, UL 94V-0 RATED.
 - 1-3 TERMINAL LEVER: THERMALPLASTIC RESIN, UL 94V-0 RATED.
 - 1-5 TERMINAL: COPPER ALLOY, TIN PLATED.
 - 1-6 SPRING CLAMP: STAINLESS STEEL.
- PRODUCT SPECIFICATION REFER TO FCI GS-12-625.
- PRODUCT PACKING SPECIFICATION REFER TO FCI GS-14-1394.
- FCI, SAFETY CERTIFICATE LOGO AND SERIES NAME TO BE SHOWN ON PRODUCT SURFACE.
- THE PRODUCTS WHERE THE PART NUMBER END IN "LF" MEET THE EUROPEAN UNION DIRECTIVE AND OTHER COUNTRY REGULATIONS AS DESCRIBED IN GS-22-008.
- RECOMENDED SOLDERING PROCESS BY WAVE SOLDER.

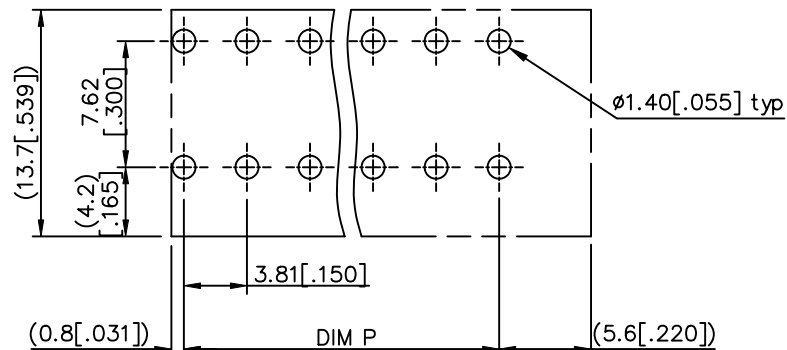
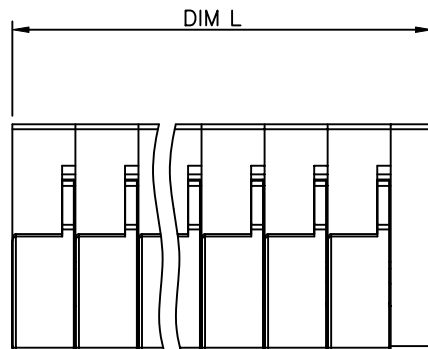
mat'l. code		surface ASME Y14.5 ✓		tolerance ASME Y14.5		projection		product family	
ltr		ecn no	dr	date		tolerances unless otherwise specified		TERMINAL BLOCK	
A	T10-0191	WL		122010		X.±0.5		title	
B	T11-0012	WL		021711		X.X±0.3		TERMINAL BLOCK	
C	T-005281	WL		082311		X'±1"		FIXED SIGNAL PLUG, RIGHT ANGLE WIRE INLET	
				dr		WENDY CHEN		110910	
				enr		JASON HSU		110910	
				chr		JASON HSU		110910	
				appd		JASON HSU		110910	
sheet index		revision	C	C	C	C	C	FCI	
		sheet	1	2	3	4		dwg no	
								20020303	
								sheet 1 of 4 size	
								A4	
								type	
								CUSTOMER Drawing	



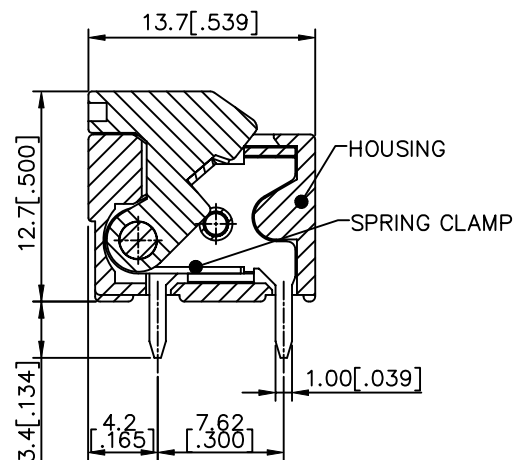
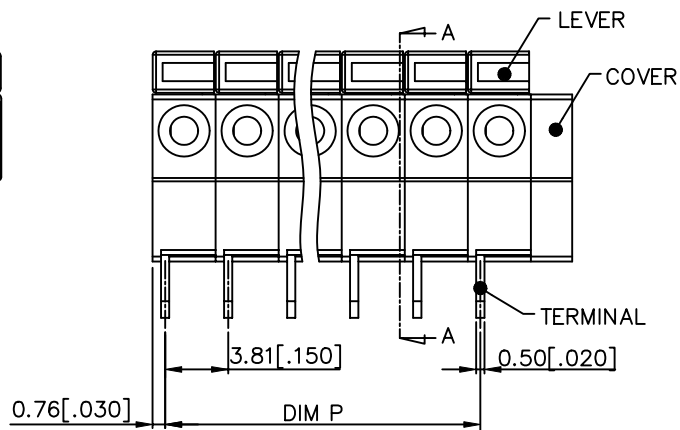
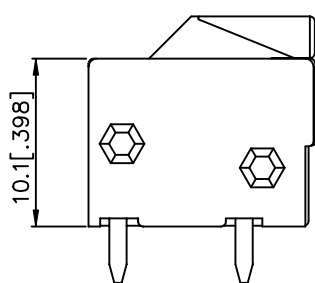
PRODUCT NUMBER	SERIES NAME	PITCH
20020303-DXXXXXL	09-381	3.81 mm

N = Number of poles
 Dim L = $N \times 3.81 [.150] + 2.5 [.098]$
 Dim P = $(N - 1) \times 3.81 [.150]$

POLES	Dim L	Dim P
2-6P	$\pm 0.15 [.006]$	$\pm 0.10 [.004]$
7-12P	$\pm 0.20 [.008]$	$\pm 0.20 [.008]$
13-18P	$\pm 0.30 [.012]$	$\pm 0.25 [.010]$
19-24P	$\pm 0.40 [.016]$	$\pm 0.30 [.012]$



P.C.B. LAYOUT



SEC. A-A

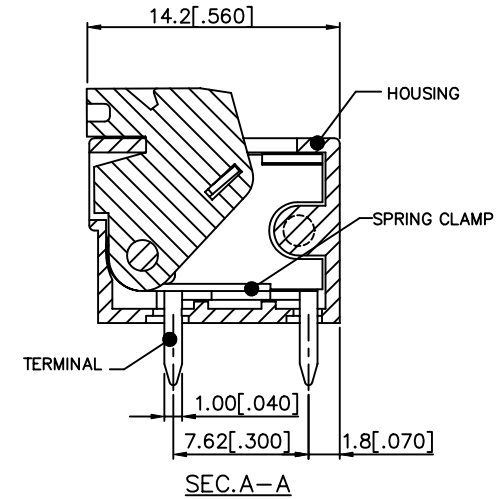
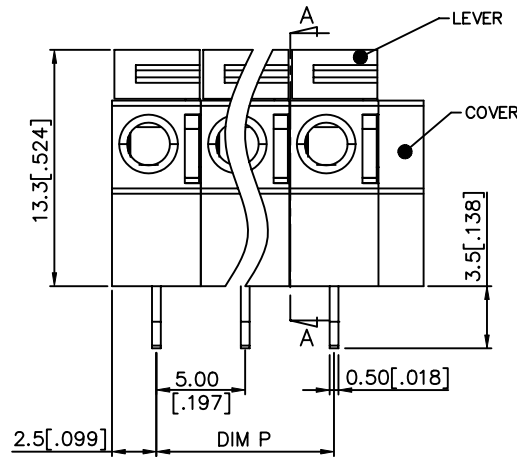
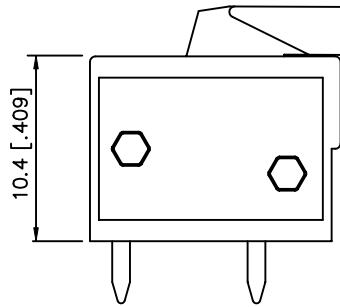
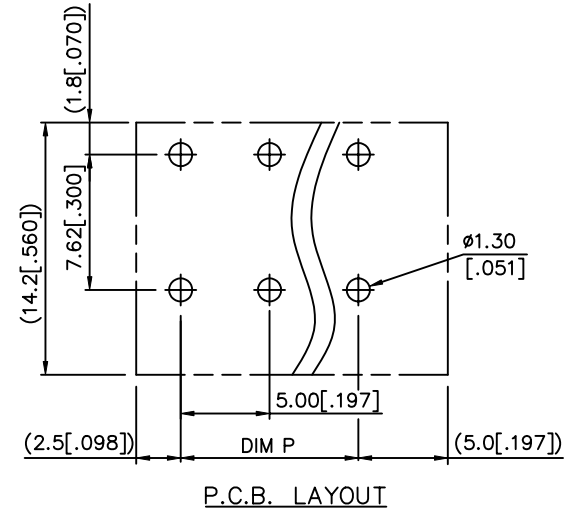
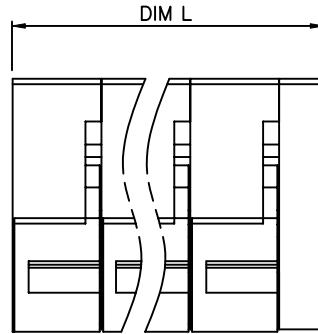
mat'l. code	surface ASME Y14.5	tolerance ASME Y14.5	projection	product family TERMINAL BLOCK
ltr	ecn no	dr	date	title
tolerances unless otherwise specified				 MM [INCH]
angles		X.±0.5		
X°±1'		X.XX±0.3		
		X.XX±0.1		scale
dr	WENDY CHEN	110910		dwg no sheet 2 of 4 size 20020303 A4
enr	JASON HSU	110910		
chr	JASON HSU	110910		
appd	JASON HSU	110910		
sheet index	revision sheet			type CUSTOMER Drawing



PRODUCT NUMBER	SERIES NAME	PITCH
20020303-GXXXXXXLF	09-500	5.00 mm

N = Number of poles
 Dim L = $N \times 5.0[.197] + 2.54[.100]$
 Dim P = $(N-1) \times 5.0[.197]$

POLES	Dim L	Dim P
2-6p	$\pm 0.15[.006]$	$\pm 0.10[.004]$
7-12p	$\pm 0.20[.008]$	$\pm 0.20[.008]$
13-18p	$\pm 0.30[.012]$	$\pm 0.25[.010]$
19-24p	$\pm 0.40[.016]$	$\pm 0.30[.012]$



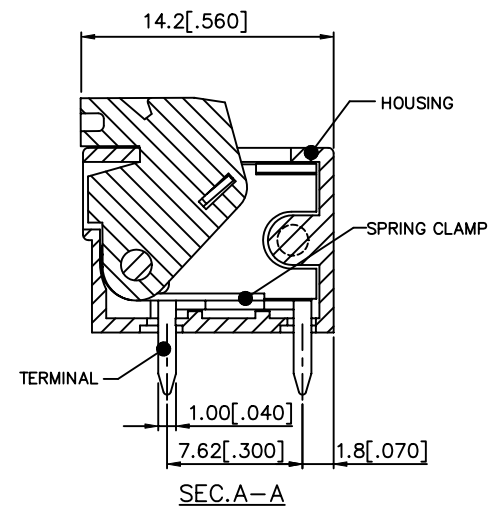
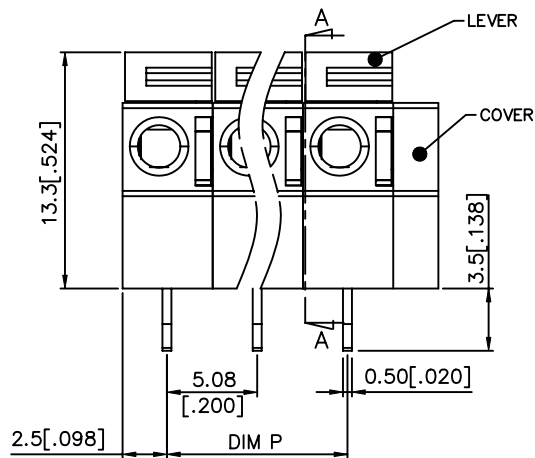
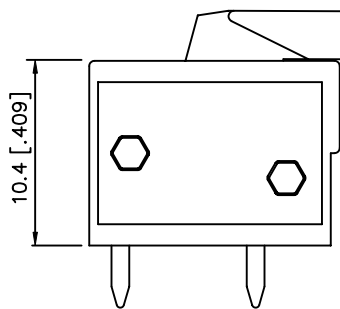
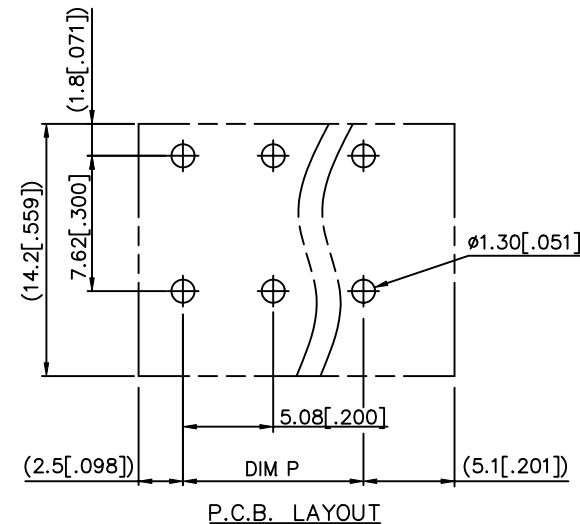
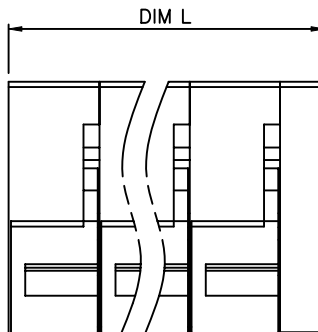
mat'l. code	surface ASME Y14.5	tolerance ASME Y14.5	projection	product family TERMINAL BLOCK
ltr	ecn no	dr	date	title
tolerances unless otherwise specified				TERMINAL BLOCK FIXED SIGNAL PLUG, RIGHT ANGLE WIRE INLET
angles		$X \pm 0.5$	MM	
X° ± 1'		$X.X \pm 0.3$	[INCH]	
		$X.XX \pm 0.1$	scale	dwg no
dr		WENDY CHEN	110910	sheet 3 of 4 size
enr		JASON HSU	110910	20020303
chr		JASON HSU	110910	A4
appd		JASON HSU	110910	type
sheet index		revision sheet		CUSTOMER Drawing



PRODUCT NUMBER	SERIES NAME	PITCH
20020303-HXXXXXXLF	09-508	5.08 mm

N = Number of poles
 Dim L = $N \times 5.08 [.200] + 2.54 [.100]$
 Dim P = $(N - 1) \times 5.08 [.200]$

POLES	Dim L	Dim P
2-6p	$\pm 0.15 [.006]$	$\pm 0.10 [.004]$
7-12p	$\pm 0.20 [.008]$	$\pm 0.20 [.008]$
13-18p	$\pm 0.30 [.012]$	$\pm 0.25 [.010]$
19-24p	$\pm 0.40 [.016]$	$\pm 0.30 [.012]$



mat'l. code	surface ASME Y14.5	tolerance ASME Y14.5	projection 	product family TERMINAL BLOCK
ltr	ecn no	dr	date	title
tolerances unless otherwise specified				TERMINAL BLOCK FIXED SIGNAL PLUG, RIGHT ANGLE WIRE INLET
angles		X.±0.5		
X°±1'		X.X±0.3		
		X.XX±0.1		scale
dr		WENDY CHEN 110910		dwg no 20020303 sheet 4 of 4 size A4 type CUSTOMER Drawing
enr		JASON HSU 110910		
chr		JASON HSU 110910		
appd		JASON HSU 110910		
sheet index	revision sheet			