



Chipsmall Limited consists of a professional team with an average of over 10 year of expertise in the distribution of electronic components. Based in Hongkong, we have already established firm and mutual-benefit business relationships with customers from,Europe,America and south Asia,supplying obsolete and hard-to-find components to meet their specific needs.

With the principle of “Quality Parts,Customers Priority,Honest Operation,and Considerate Service”,our business mainly focus on the distribution of electronic components. Line cards we deal with include Microchip,ALPS,ROHM,Xilinx,Pulse,ON,Everlight and Freescale. Main products comprise IC,Modules,Potentiometer,IC Socket,Relay,Connector.Our parts cover such applications as commercial,industrial, and automotives areas.

We are looking forward to setting up business relationship with you and hope to provide you with the best service and solution. Let us make a better world for our industry!



## Contact us

Tel: +86-755-8981 8866 Fax: +86-755-8427 6832

Email & Skype: info@chipsmall.com Web: www.chipsmall.com

Address: A1208, Overseas Decoration Building, #122 Zhenhua RD., Futian, Shenzhen, China



8

7

6

5

4

3

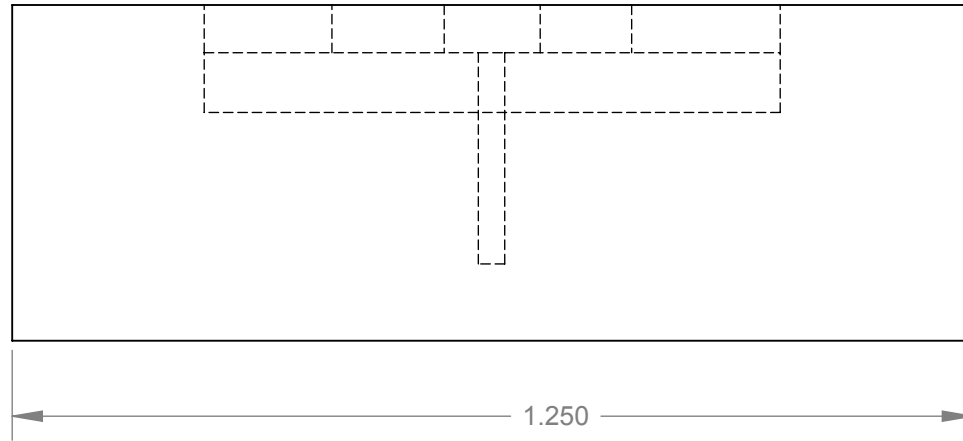
2

1

REVISIONS				
ZONE	REV.	DESCRIPTION	DATE	APPROVED
ALL	A1	ADDED ±.005 TOL. TO .188 DIM.	05/29/80	
	A2	ADDED MATTE FINISH REQUIREMENT TO NOTE 1 & INSPECTION NOTE	09/15/81	

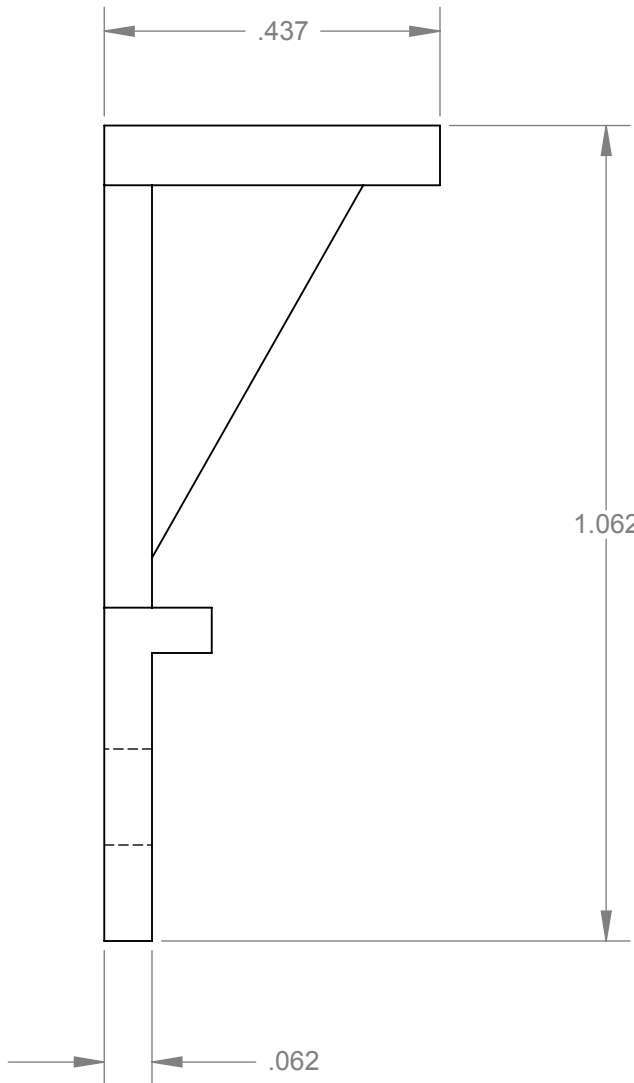
D

D



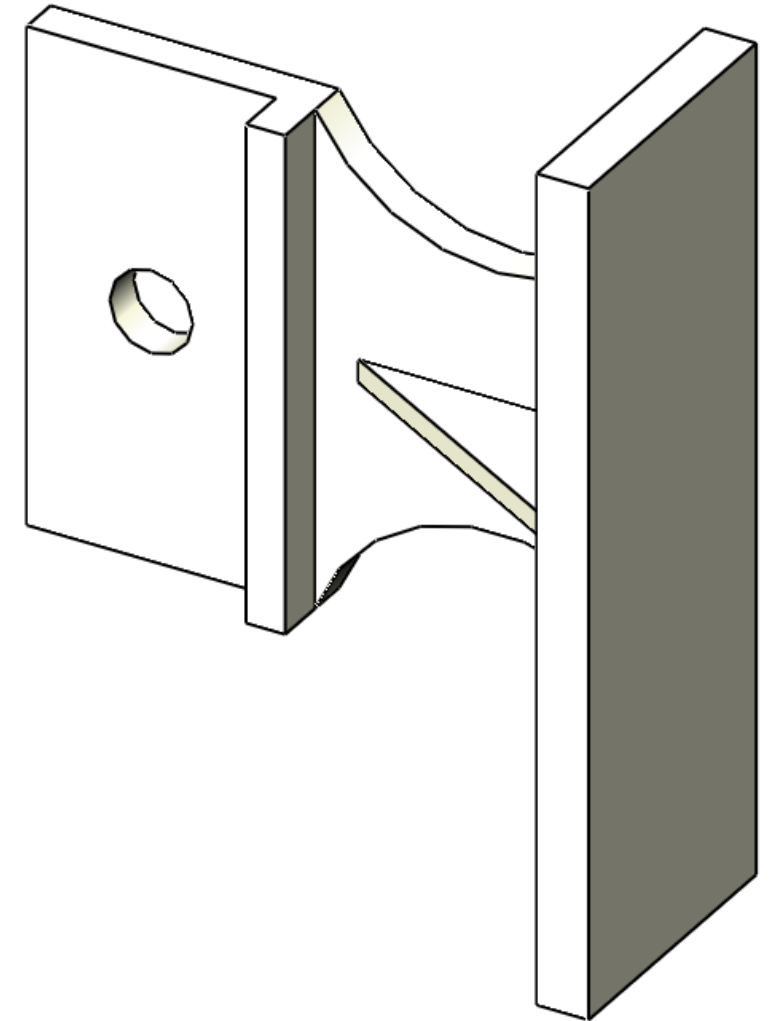
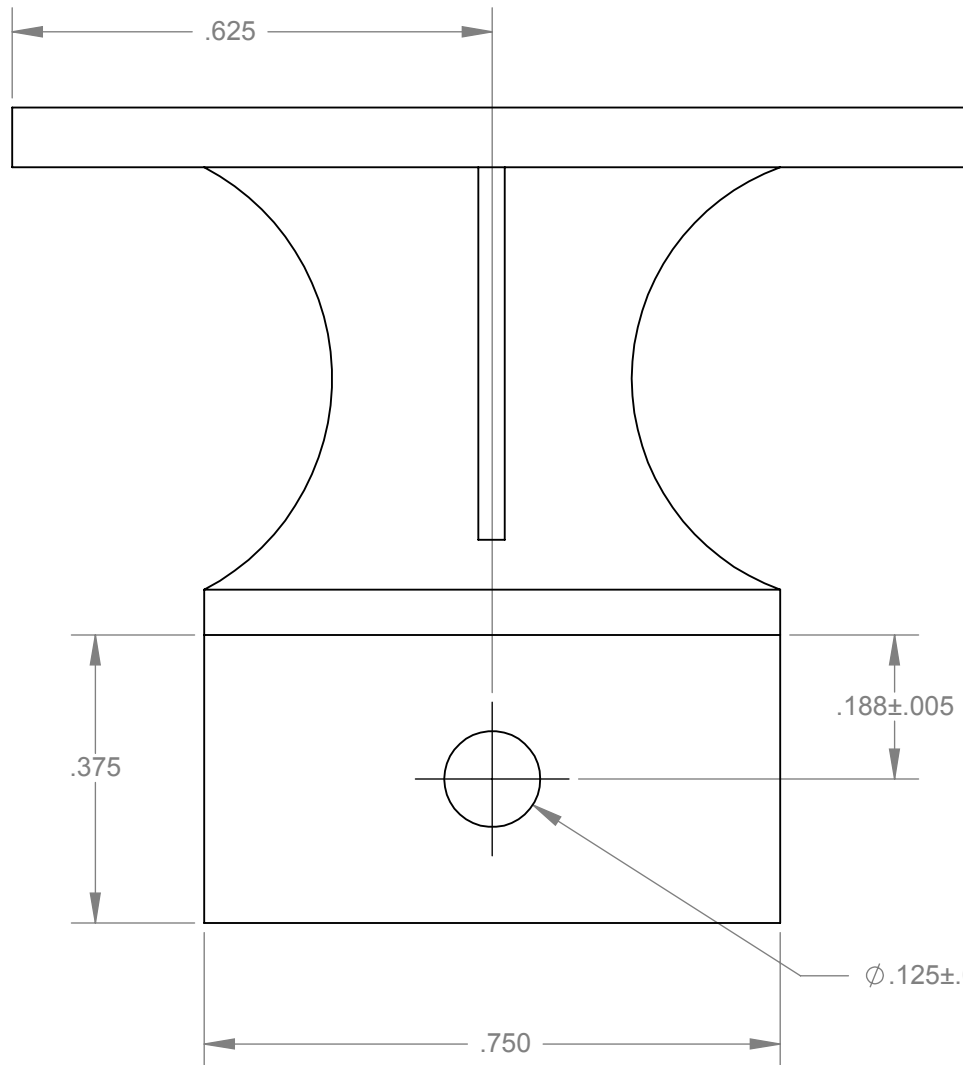
C

C



B

B



A

A

2. HA14 INCLUDES : SCREW (P/N# SC4-5#)  
LOCKWASHER (P/N# W4-1#) & NUT (P/N# NT4-2A#)

1. MAT'L : NYLON (MIL-M-20693A)  
MATTE FINISH REQUIRED ON PRINTING SURFACE

NOTES: UNLESS OTHERWISE SPECIFIED.

1. CHECK PER DRAWING DIM. & NOTES  
CRITICAL INSPECTION NOTES

**PROPRIETARY AND CONFIDENTIAL**  
THE INFORMATION CONTAINED IN THIS DRAWING IS THE SOLE PROPERTY OF VECTOR ELECTRONICS & TECH., INC. ANY REPRODUCTION IN PART OR AS A WHOLE WITHOUT THE WRITTEN PERMISSION OF VECTOR ELECTRONICS & TECH., INC. IS PROHIBITED.

UNLESS OTHERWISE SPECIFIED:  
DIMENSIONS ARE IN INCHES  
TOLERANCES:  
FRACTIONAL ±  
ANGULAR: ±.5°  
TWO PLACE DECIMAL ±.03  
THREE PLACE DECIMAL ±.010  
INTERPRET GEOMETRIC TOLERANCING PER:  
MATERIAL   
FINISH   
DO NOT SCALE DRAWING

	NAME	DATE
DRAWN	TRUSHAR	06/29/07
CHECKED		
ENG APPR.		
MFG APPR.		
Q.A.		

THIRD ANGLE PROJECTION

<b>VECTOR</b> ELECTRONICS & TECHNOLOGY, INC.		11115 VANOWEN ST., NORTH HOLLYWOOD, CA 91605	
<b>HA-14 PULL TYPE EJECTOR HANDLE</b>			
SIZE DWG. NO.	REV		
<b>B MC 6101-B5.1</b>	<b>A2</b>		
SCALE: 4:1	WEIGHT:	SHEET 1 OF 1	

8

7

6

5

4

3

2

1