



Chipsmall Limited consists of a professional team with an average of over 10 year of expertise in the distribution of electronic components. Based in Hongkong, we have already established firm and mutual-benefit business relationships with customers from,Europe,America and south Asia,supplying obsolete and hard-to-find components to meet their specific needs.

With the principle of “Quality Parts,Customers Priority,Honest Operation,and Considerate Service”,our business mainly focus on the distribution of electronic components. Line cards we deal with include Microchip,ALPS,ROHM,Xilinx,Pulse,ON,Everlight and Freescale. Main products comprise IC,Modules,Potentiometer,IC Socket,Relay,Connector.Our parts cover such applications as commercial,industrial, and automotives areas.

We are looking forward to setting up business relationship with you and hope to provide you with the best service and solution. Let us make a better world for our industry!



Contact us

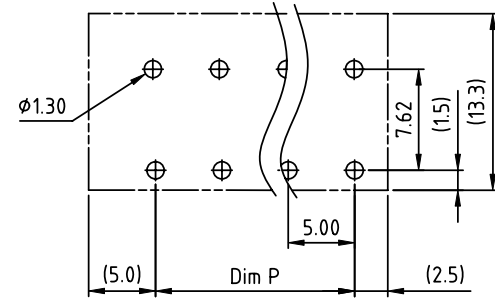
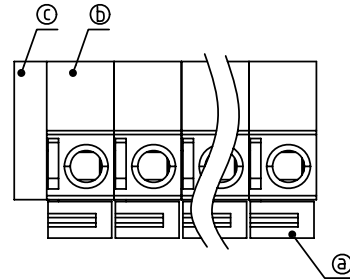
Tel: +86-755-8981 8866 Fax: +86-755-8427 6832

Email & Skype: info@chipsmall.com Web: www.chipsmall.com

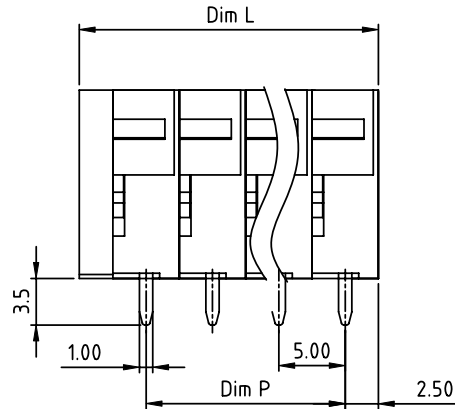
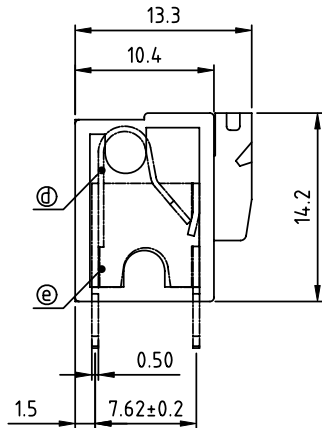
Address: A1208, Overseas Decoration Building, #122 Zhenhua RD., Futian, Shenzhen, China



PRODUCT NUMBER	PITCH
HAxx30x00J0G	5.00 mm



RECOMMENDED P.C.B LAYOUT
TOP VIEW



Material:

- Item①Lever:Thermoplastic (UL94V-0) Orange (RAL2011/P)
- Item②Terminal body:Thermoplastic (UL94V-0)
- Item③cover:Thermoplastic (UL94V-0)
- Item④Spring clamp: Stainless steel
- Item⑤contact pin: Brass Tin plated

Electrical

- cULus/VDE
- Voltage rating: 300VAC/250VAC
- Current rating: 10A/10A
- Wire range: 0.75-1.5mm²
- Solid wire(AWG): 14-24
- Stranded wire(AWG): 14-24
- Wire strip length: 9-10mm
- Withstanding Voltage: 1.6KV/2KV
- Operating temperature: -40°C to +115°C
- Soldering temperature: 260°C±5°C/5 Sec
- Safety Approval:

N=Number of poles
Dim L=Nx5.0+2.54
Dim P=(N-1)x5.0

POLES	Dim L	Dim P
2-6p	±0.15	±0.10
7-12p	±0.20	±0.20
13-18p	±0.30	±0.25
19-24p	±0.40	±0.30

PART NO.: HA xx 30 x 0 00J0 G

	End stackable	No. of poles	Color	RoHS compliant
0	0	2	Black (RAL9005)	(lead<4%)
02	2	3	Red (RAL3001/D)	In copper Alloy
03	3	4	Orange(RAL2011/P)	
...	...	5	Yellow(RAL1018/A)	
...	...	5	Green(RAL6018/T)	
24	24	6	Blue (RAL5015/A)	
		8	Grey(RAL7004/P)	
		9	White(RAL1102)	
		C	Multiple colors	

mat'l. code		surface ASME Y14.5	tolerance ASME Y14.5	projection	product family TERMINAL BLOCK
ltr	ecn no	dr	date		title TERMINAL BLOCK
tolerances unless otherwise specified				MM	SPRING CLAMP,90D WIRE INLET
angles				scale	dwg no
X°±1'					sheet 1 of 1
dr EVIN ZHONG 052314					size A4
enr EVIN ZHONG 052314					
chr HANKE FENG 052314					
appd SHI JUN 052314					
sheet index	revision sheet	A	1		type CUSTOMER Drawing